



Renault Mégane (KA0/1_), (DA0/1_), (BA0/1_), (EA0/1_), (LA0/1_), (JA0/1_)
Renault Scénic (JA0/1_)

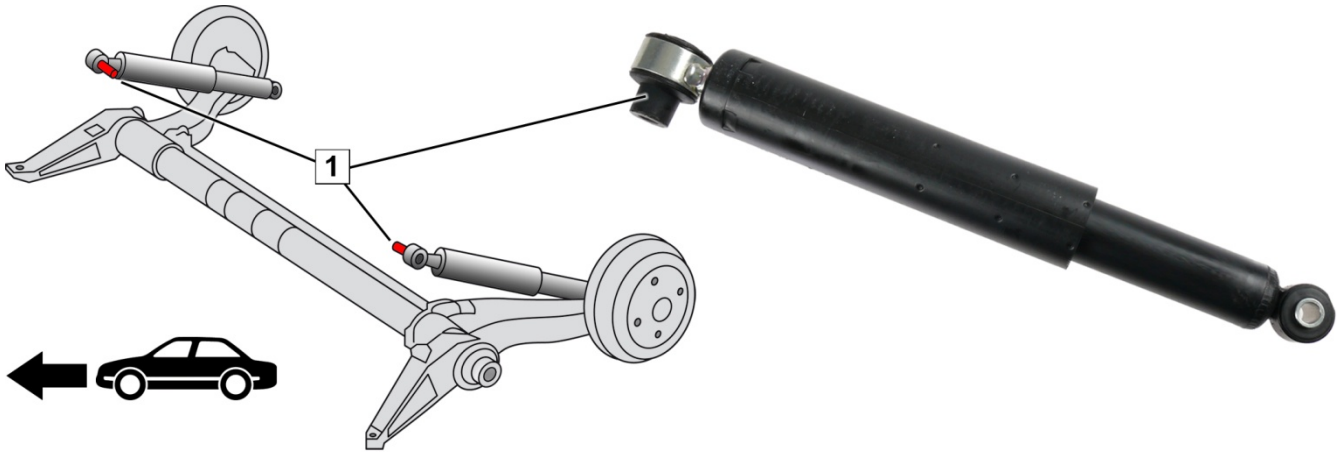


Fig. 1: Rear axle with correctly-mounted shock absorbers

Mount the shock absorbers on the rear axle

- Mount both shock absorbers with the distance sleeve (1) facing the center of the vehicle (fig. 1).
- Screw down the shock absorbers onto the support bearing with the specified torque. Note the details of the vehicle manufacturer.

→ Service Information **Damage Pattern: Bending Strain / Warping** (20375 EN) can be found here:
<http://www.zf.com/serviceinformation>



<http://www.zf.com/serviceinformation>