

SERVICE INFO



Assembly instructions for LuK RepSet® 621 3027 09/33/34, 621 3045 09/33 and 621 3050 09/33

Manufacturers:

Opel, Vauxhall

Models:

Astra G/H, Combo, Corsa C, Meriva, Signum, Vectra C, Zafira B

Engines:

Z16XEP, Z16YNG
Z18XE, Z18XER

Gearbox:

F17

LuK RepSet®:

621 3027 09/33/34
621 3045 09/33
621 3050 09/33

Flywheel OE no.:

90536140 / 616169
93186460 / 5616016

In the models listed, the clutch can sometimes grab. The problem mainly occurs after long standing times and in ambient temperatures below 10°C.

From May 2007, the vehicle manufacturer has therefore installed a modified clutch and flywheel as standard. As a result, the flywheel depth changed from 19 to 21.6 mm.

For production engine number change points refer to Schaeffler-Aftermarket.com and TecDoc.

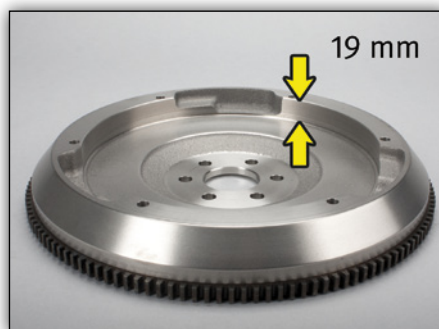


Image 1: OE no. 90536140 / 616169 without indentation around the circumference, flywheel depth 19 mm

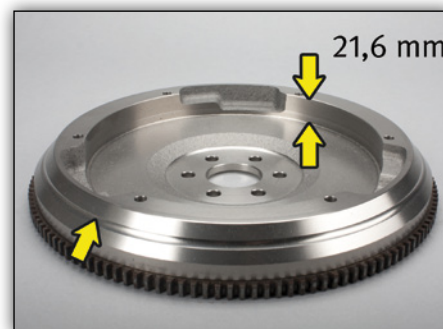


Image 2: OE no. 93186460 / 5616016 with indentation around the circumference, flywheel depth 21.6 mm

Vehicles produced before May 2007, that exhibited the same fault were also retrofitted with these parts at the workshop; this is indicated by a green dot on the gearbox (see Image 3).

The different characteristics of the flywheels are illustrated in Images 1 and 2.

The following clutch sets must be used with the different flywheels:



Image 3: Marking on gearbox

Flywheel OE no	LuK RepSet®
90536140/616169 gearbox without coloured marking, flywheel depth 19 mm	621 3027 09 621 3027 33 621 3027 34
93186460/5616016 gearbox with coloured marking, flywheel depth 21,6 mm	621 3045 09 621 3045 33 621 3050 09 621 3050 33



Note the specifications of the vehicle manufacturer!

Appropriate spare parts can be found in our on-line catalogue at www.Schaeffler-Aftermarket.com or in RepXpert at www.RepXpert.com.

Issued 10.2011

LuK 0030

Technical subject to change

© 2011 Schaeffler Automotive Aftermarket

Any reference to replacement part numbers for vehicle manufacturers is for comparison purposes only.

For further information:

Phone: +44 (0) 14 32 264 264*

Fax: +44 (0) 14 32 375 760

Info@LuK-AS.co.uk

www.Schaeffler-Aftermarket.com

* Calls from within the UK 08457 001100

