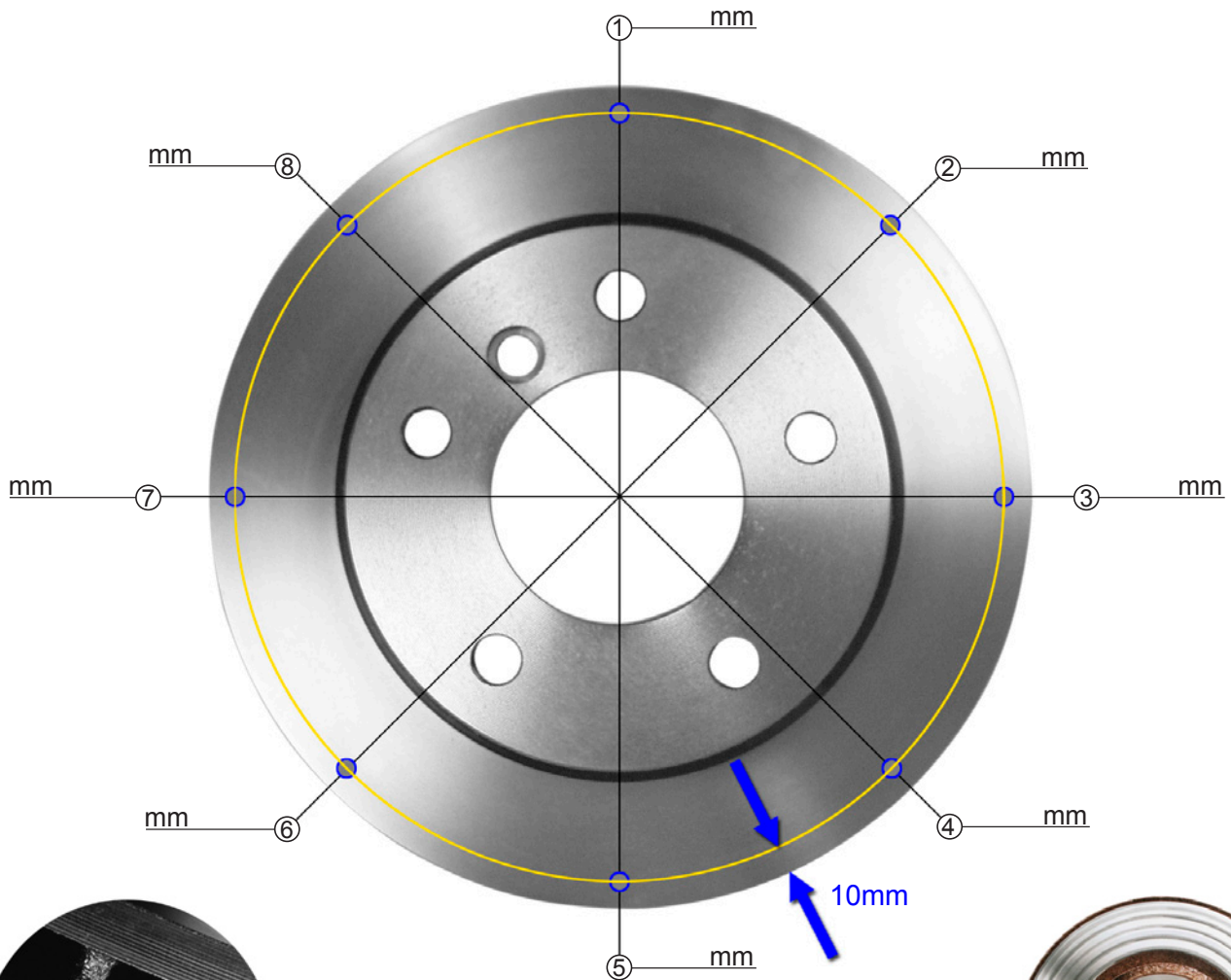


Measuring Disc Thickness Variance (DTV)



Also check minimum thickness. You'll find the values on the disc or in our catalogue

| Calculating DTV | |
|----------------------|----|
| max value | mm |
| - min value | mm |
| = DTV | mm |
| max 0.015 mm allowed | mm |



Corroded, cracked or worn disc; change in pairs

Tool = micrometer screw.
Measure eight evenly spaced radial locations on the disc 10 mm from the outer diameter.

