

16:04-03

Edition 1

Varningslampa för fällbart insteg

Warning lamp for folding boarding step

Warnlampe für klappbare Trittleche

Waarschuwingslampje voor inklapbare instaptreden

Témoin d'alerte, marche-pied rabattable

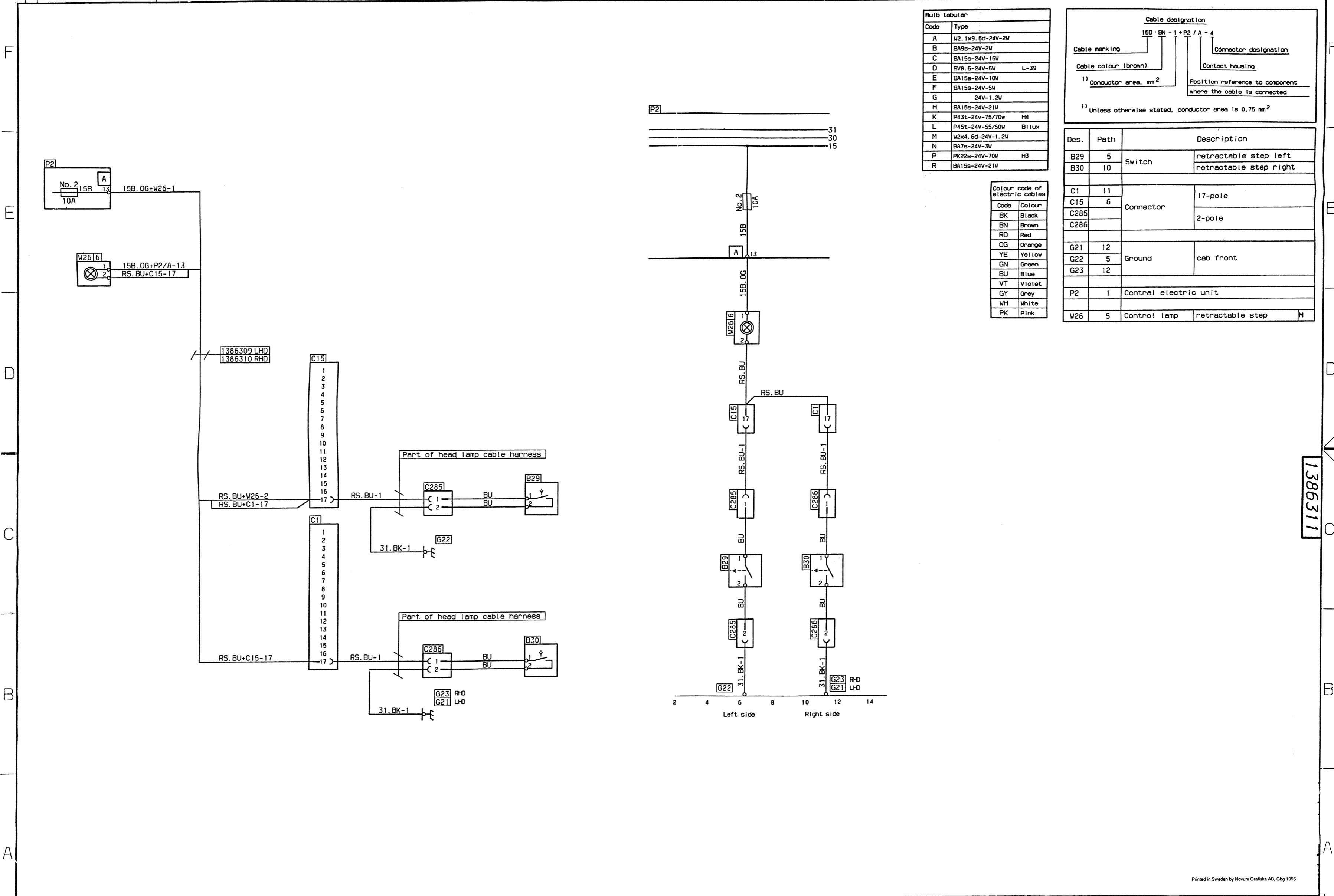
Lámpara de advertencia para escalón escamoteable

Luz de aviso para estribo retrátil

Spia per gradino retrattile

Käännettävän astimen varoitusvalo

8 7 6 5 4 3 2 1

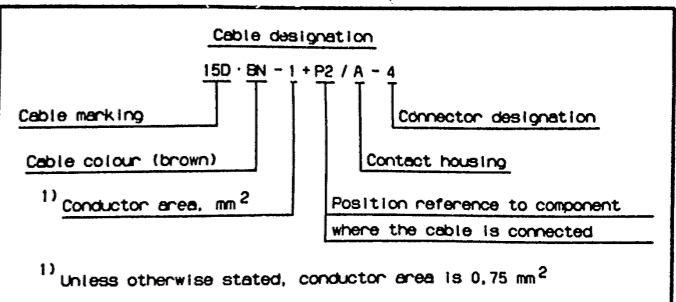


Bulb tabular

Code	Type
A	W2.1x9.5d-24V-2W
B	BA9s-24V-2W
C	BA15s-24V-15W
D	SV8.5-24V-5W L=39
E	BA15s-24V-10W
F	BA15s-24V-5W
G	24V-1.2W
H	BA15s-24V-21W
K	P43t-24V-75/70w H4
L	P45t-24V-55/50W Bliux
M	W2x4.6d-24V-1.2W
N	BA7s-24V-3W
P	PK22s-24V-70W H3
R	BA15s-24V-21W

Colour code of electric cables

Code	Colour
BK	Black
BN	Brown
RD	Red
OG	Orange
YE	Yellow
GN	Green
BU	Blue
VT	Violet
GY	Grey
WH	White
PK	Pink



Des.	Path	Description
B29	5	Switch retractable step left
B30	10	Switch retractable step right
C1	11	Connector 17-pole
C15	6	
C285		
C286		
G21	12	Ground cab front
G22	5	
G23	12	
P2	1	Central electric unit
W26	5	Control lamp retractable step M

1386311

8 7 6 5 4 3 2 1