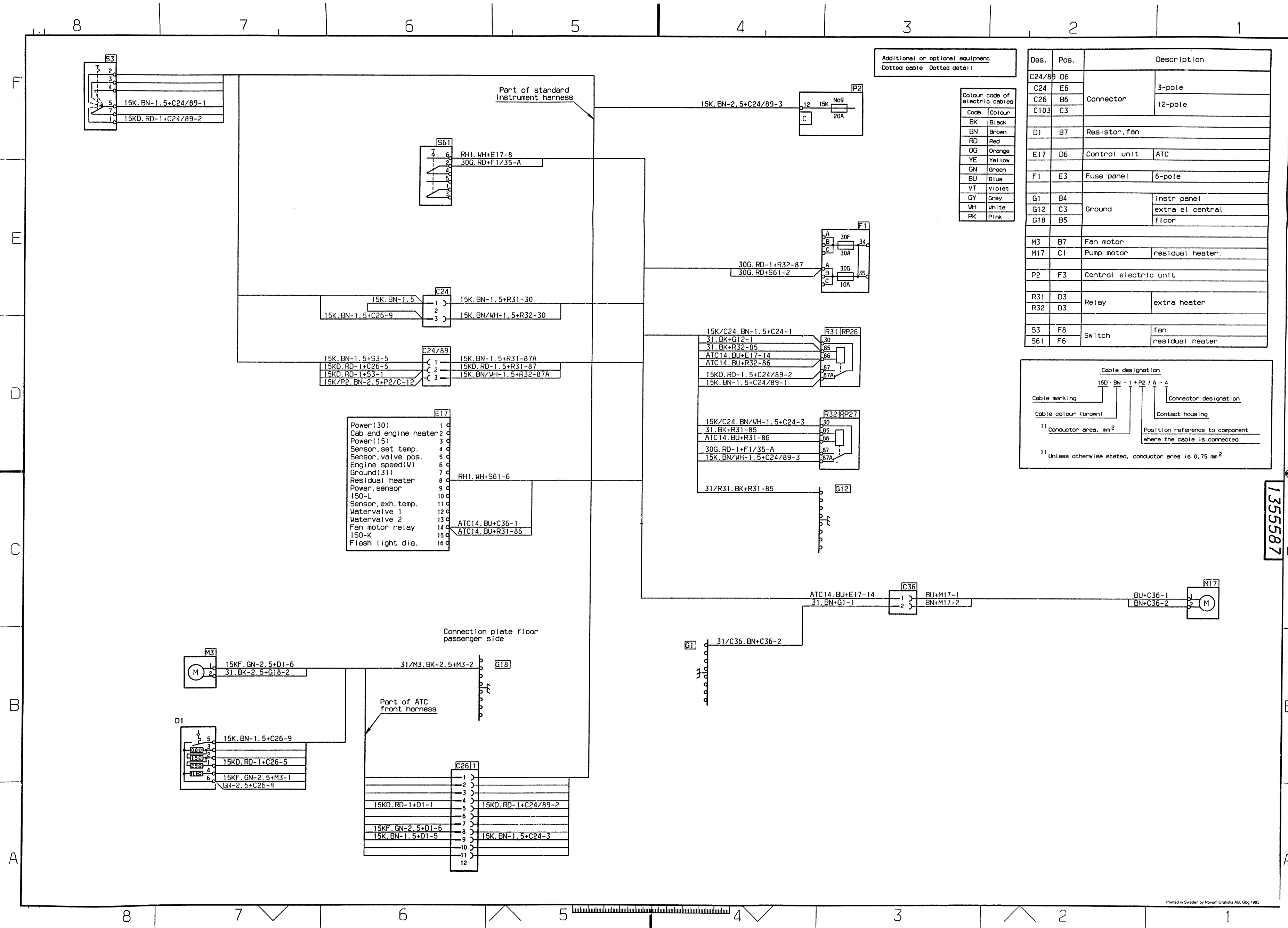


16:04-15

Edition 1

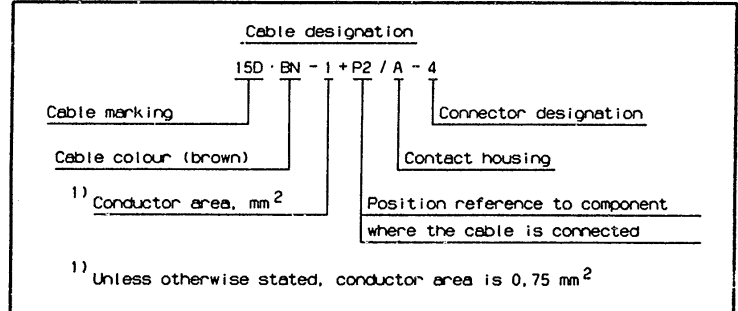
- Rastvärmare**
- Short-stop heater**
- Kurzzeitheizung**
- Pauzeverwarming**
- Chauffage par récupération**
- Calentador para paradas cortas**
- Aquecedor de parque**
- Riscaldatore a motore fermo**
- Taukolämmitin**
- Nagrzewnika postojowa**



Additional or optional equipment
Dotted cable Dotted detail

| Code | Colour |
|------|--------|
| BK | Black |
| BN | Brown |
| RD | Red |
| OG | Orange |
| YE | Yellow |
| GN | Green |
| BU | Blue |
| VT | Violet |
| GY | Grey |
| WH | White |
| PK | Pink |

| Des. | Pos. | Description |
|--------|------|-----------------------------|
| C24/89 | D6 | Connector 3-pole |
| C24 | E6 | |
| C26 | B6 | |
| C103 | C3 | Connector 12-pole |
| D1 | B7 | Resistor, fan |
| E17 | D6 | Control unit ATC |
| F1 | E3 | Fuse panel 6-pole |
| G1 | B4 | instr panel |
| G12 | C3 | Ground extra el central |
| G18 | B5 | floor |
| M3 | B7 | Fan motor |
| M17 | C1 | Pump motor residual heater. |
| P2 | F3 | Central electric unit |
| R31 | D3 | Relay extra heater |
| R32 | D3 | |
| S3 | F8 | Switch fan |
| S61 | F6 | residual heater |



1355587