

16:04-18

Edition 1

Elgas och tändsystem för naturgasmotor

Electric-gas and ignition system for natural gas engines

Elektrogas und Zündanlage für Erdgasmotoren

Elektrogas en ontstekingsysteem voor aardgasmotoren

Accélération électrique et système d'allumage pour moteurs au gaz naturel

Acelerador eléctrico y sistema de ignición para motores de gas natural

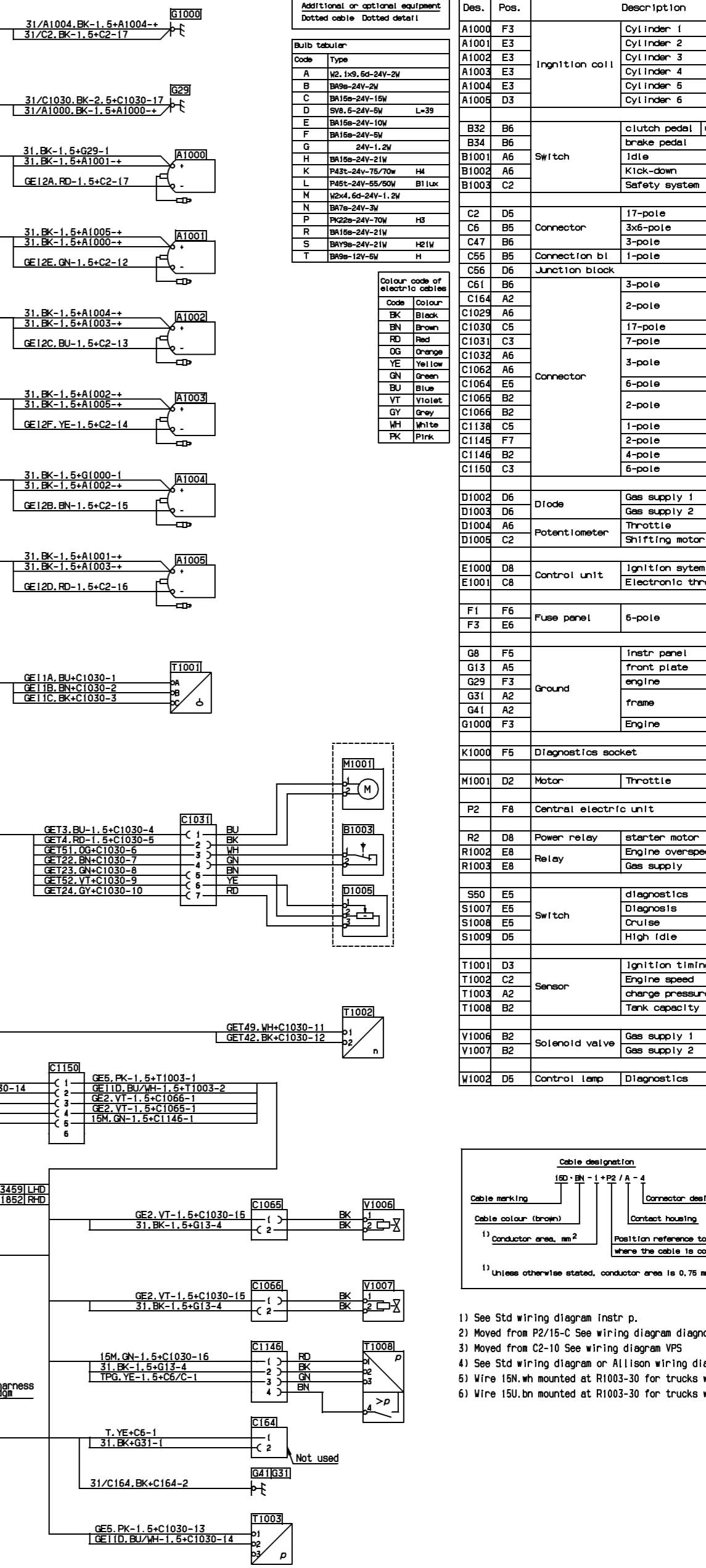
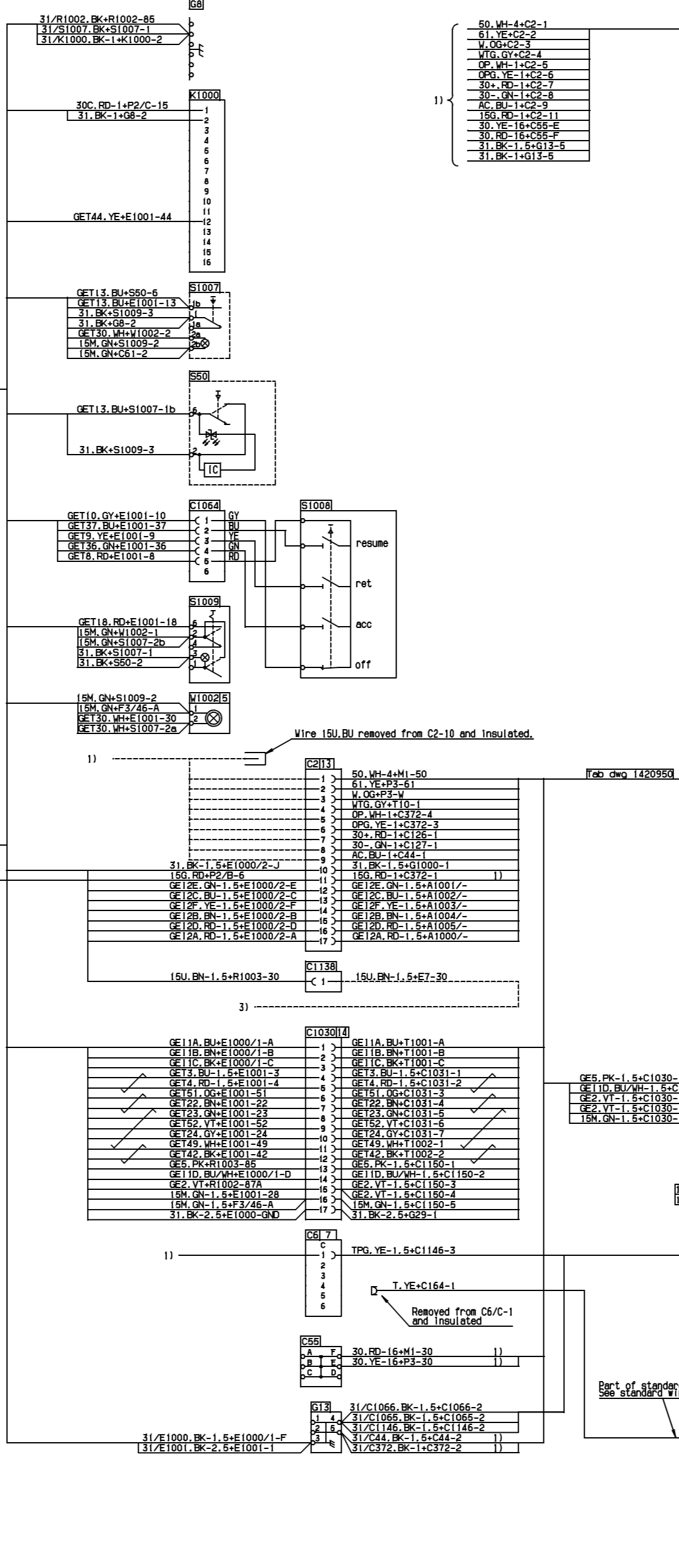
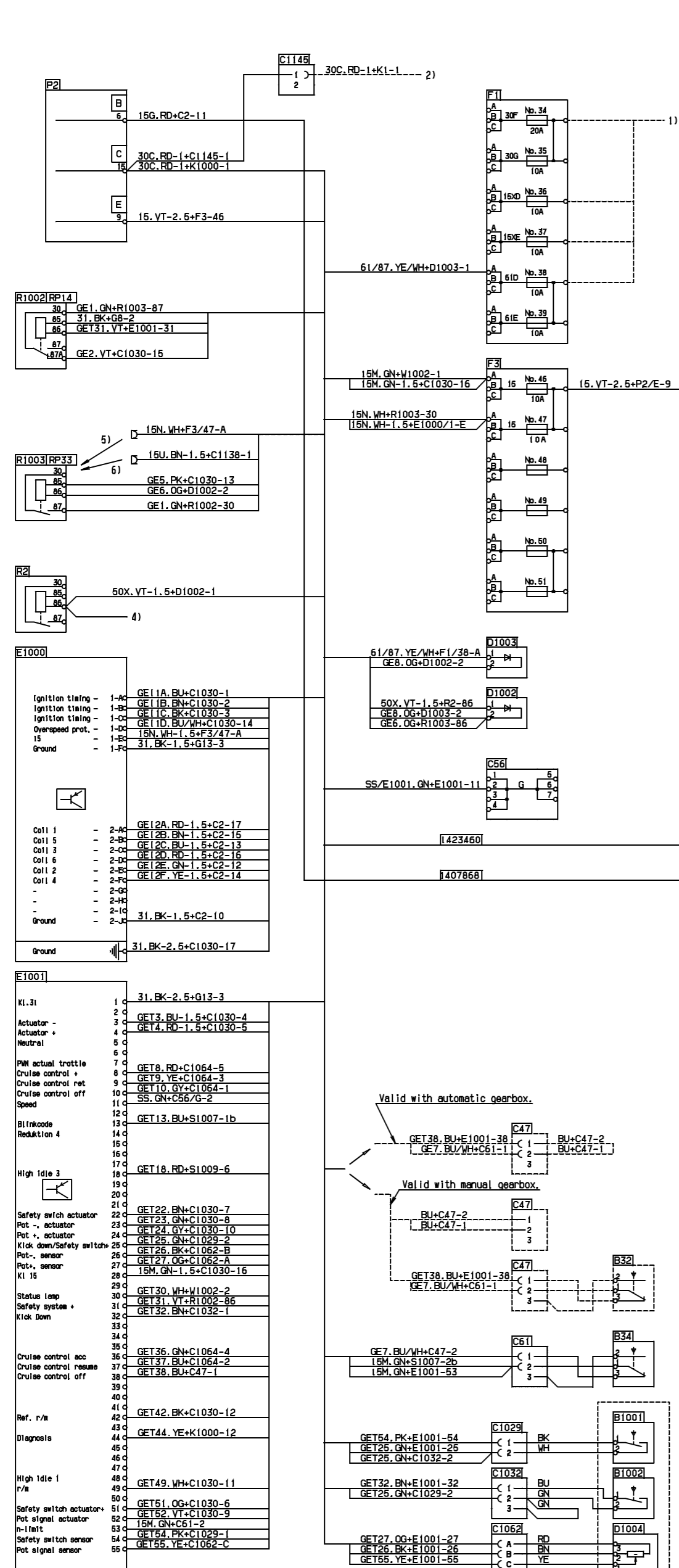
Acceleratore elettrico e sistema di accensione per motori a gas naturale

Acelerador eléctrico e sistema de ignição para motores a gás natural

Sähkökaasu ja sytytysjärjestelmä maakaasumootoreihin

Elektryczny pedał przyspieszenia i układ zapłonowy silników napędzanych gazem

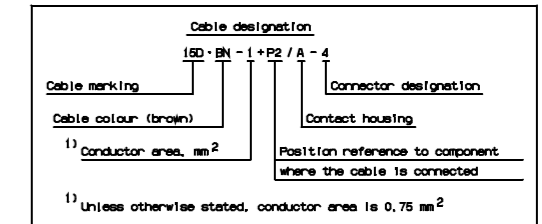
Förbindningschema, Wiring Diagram, Verbindungsplan, Bedradingschema, Schéma de câblage, Diagrama de conexiones, Diagrama de conexões, Schema del collegamenti, Kytäntäkaavio, Schemat połączeń



Additional or optional equipment
Dotted cable Dotted detail

| Code | Type |
|------|-----------------------|
| A | M2, 1x5, 6x-24V-2W |
| B | BA15e-24V-2W |
| C | BA15e-24V-15W |
| D | SV8, 5-24V-5W L-39 |
| E | BA15e-24V-10W |
| F | BA15e-24V-5W |
| G | 24V-1, 2W |
| H | BA15e-24V-21W |
| K | P43t-24V-75/70w H4 |
| L | P43t-24V-65/60W B11ux |
| M | M2x4, 6x-24V-1, 2W |
| N | BA7e-24V-3W |
| P | P22e-24V-70W |
| R | BA15e-24V-21W H2IV |
| S | BA7e-24V-21W H2IV |
| T | BA7e-12V-5W |

| Des. | Pos. | Description |
|-------|------|-----------------------------|
| A1000 | F3 | Cylinder 1 |
| A1001 | E3 | Cylinder 2 |
| A1002 | E3 | Cylinder 3 |
| A1003 | E3 | Cylinder 4 |
| A1004 | E3 | Cylinder 5 |
| A1005 | D3 | Cylinder 6 |
| B32 | B6 | clutch pedal upper |
| B34 | B6 | brake pedal |
| B1001 | A6 | Idle |
| B1002 | A6 | Kick-down |
| B1003 | C2 | Safety system |
| C2 | D5 | 17-pole |
| C6 | B5 | 3x6-pole |
| C47 | B6 | 3-pole |
| C55 | B5 | Connection bl |
| C56 | D6 | Junction block |
| C61 | B6 | 3-pole |
| C164 | A2 | 2-pole |
| C1029 | A6 | 17-pole |
| C1030 | C5 | 7-pole |
| C1031 | C3 | 3-pole |
| C1032 | A6 | 6-pole |
| C1064 | E5 | 6-pole |
| C1065 | B2 | 2-pole |
| C1066 | B2 | 1-pole |
| C1138 | C5 | 2-pole |
| C1148 | F7 | 4-pole |
| C1149 | B2 | 4-pole |
| C1160 | C3 | 6-pole |
| D1002 | D6 | Diode |
| D1003 | D6 | Gas supply 2 |
| D1004 | A6 | Throttle |
| D1005 | C2 | Shifting motor |
| E1000 | D8 | Control unit |
| E1001 | C8 | Electronic throttle |
| F1 | F6 | Fuse panel |
| F3 | E6 | 6-pole |
| G8 | F5 | Instr panel |
| G13 | A5 | front plate |
| G29 | F3 | engine |
| G31 | A2 | frame |
| G1000 | F3 | Engine |
| K1000 | F5 | Diagnostics socket |
| M1001 | D2 | Motor |
| P2 | F8 | Central electric unit |
| R2 | D8 | Power relay |
| R1002 | E8 | Engine overspeed protection |
| R1003 | E8 | Gas supply |
| S50 | E5 | diagnostics |
| S1007 | E5 | Switch |
| S1008 | E5 | Diagnosis |
| S1009 | D5 | Cruise |
| S1009 | D5 | High idle |
| T1001 | D3 | Ignition timing |
| T1002 | C2 | Engine speed |
| T1003 | A2 | change pressure |
| T1008 | B2 | Tank capacity |
| V1006 | B2 | Solenoid valve |
| V1007 | B2 | Gas supply 2 |
| V1002 | D5 | Control lamp |



- 1) See Std wiring diagram instr p.
- 2) Moved from P2/15-C See wiring diagram diagnostics.
- 3) Moved from C2-10 See wiring diagram VPS.
- 4) See Std wiring diagram or Allison wiring diagram.
- 5) Wire 15N.wh mounted at R1003-30 for trucks without VPS.
- 6) Wire 15U.bn mounted at R1003-30 for trucks with VPS.