

**16:04-24**

Edition 1

**Diffspärrar**

**Diff. locks**

**Differentialsperre**

**Differentialslot**

**Blocage de différentiels**

**Bloqueadores de diferencial**

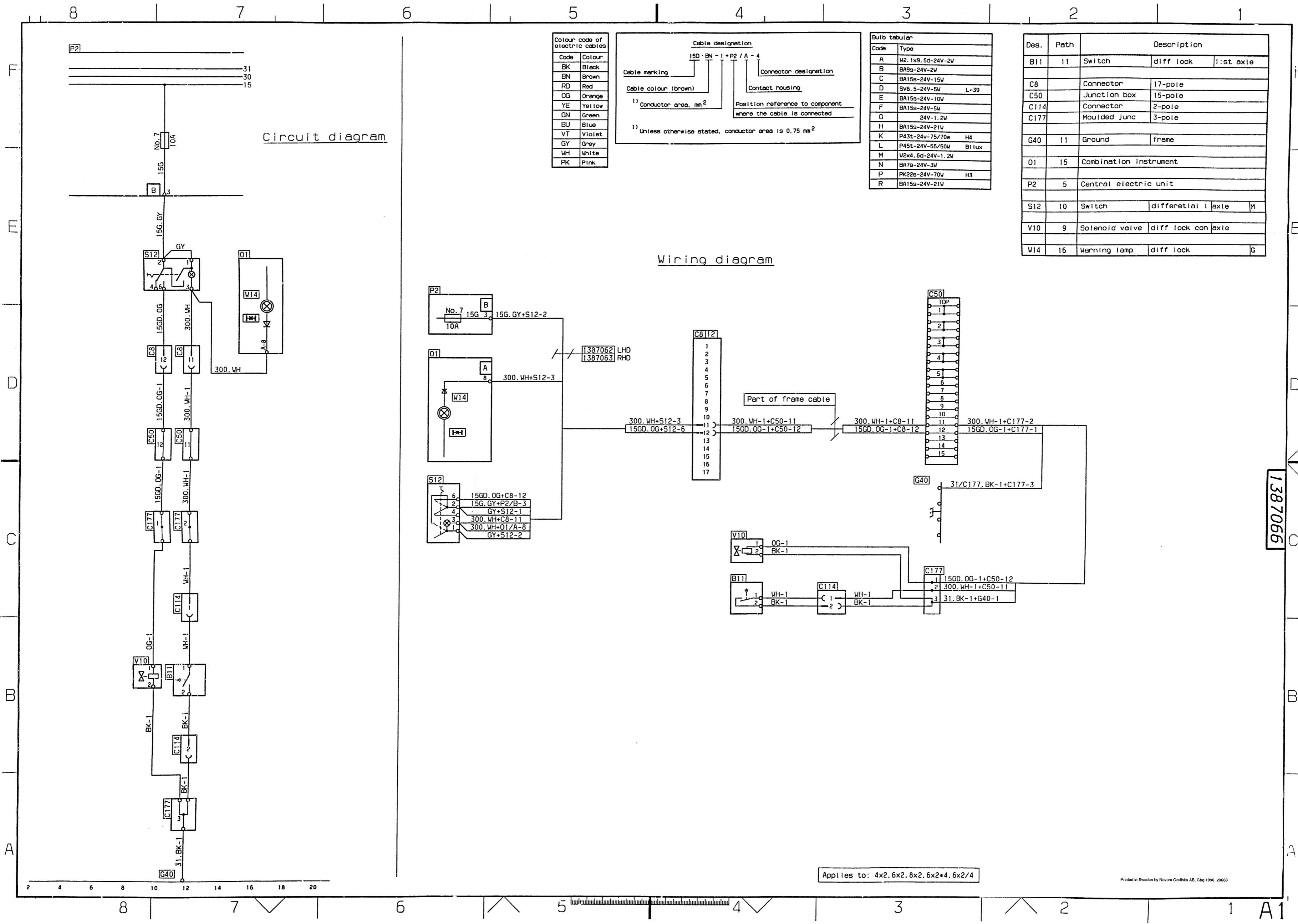
**Trava do diferencial**

**Bloccaggio differenziale**

**Tasauspyörästön lukot**

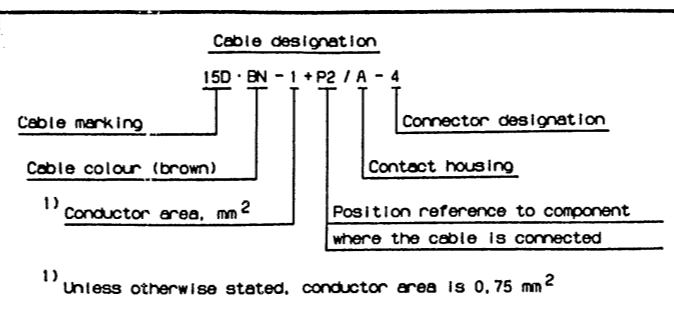
**4x2, 6x2, 8x2, 6x2/4**

**From chassis No. 1 219 969**



Colour code of electric cables

Code	Colour
BK	Black
BN	Brown
RD	Red
OG	Orange
YE	Yellow
GN	Green
BU	Blue
VT	Violet
GY	Grey
WH	White
PK	Pink



Bulb tabular

Code	Type
A	W2, 1x9, 5d-24V-2W
B	BA9s-24V-2W
C	BA15s-24V-15W
D	SV8, 5-24V-5W L=39
E	BA15s-24V-10W
F	BA15s-24V-5W
G	24V-1,2W
H	BA15s-24V-21W
K	P43t-24V-75/70W H4
L	P45t-24V-55/50W B1lux
M	W2x4, 6d-24V-1,2W
N	BA7s-24V-3W
P	PK22s-24V-70W H3
R	BA15s-24V-21W

Des.	Path	Description
B11	11	Switch diff lock 1:st axle
C8		Connector 17-pole
C50		Junction box 15-pole
C114		Connector 2-pole
C177		Moulded junc 3-pole
G40	11	Ground frame
O1	15	Combination instrument
P2	5	Central electric unit
S12	10	Switch differential 1 axle M
V10	9	Solenoid valve diff lock con axle
V14	16	Warning lamp diff lock G

Applies to: 4x2, 6x2, 8x2, 6x2+4, 6x2/4