



**16:04-25**

Edition 1

**Diffspärrar**

**Diff. locks**

**Differentialsperre**

**Differentialslot**

**Blocage de différentiels**

**Bloqueadores de diferencial**

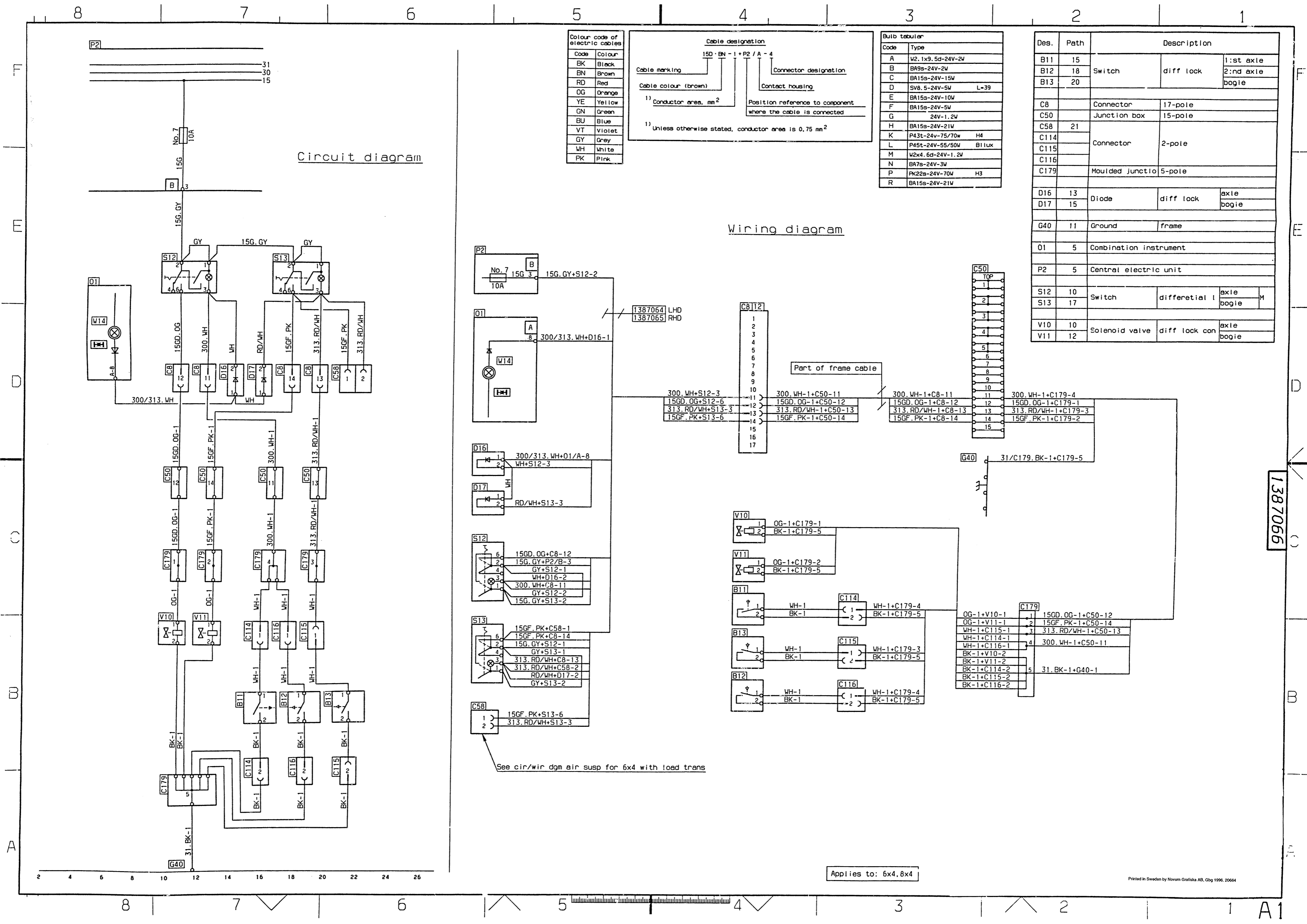
**Trava do diferencial**

**Bloccaggio differenziale**

**Tasauspyörästön lukot**

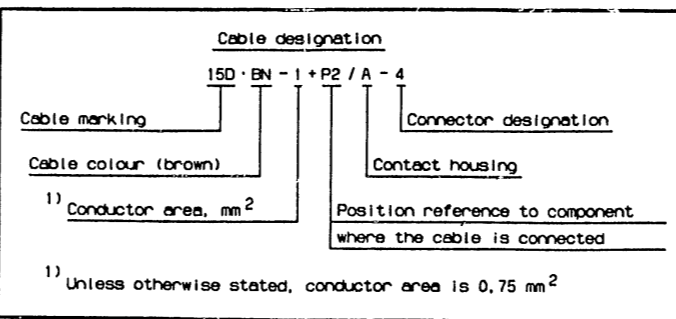
**6x4, 8x4**

**From chassis No. 1 219 969**



Colour code of electric cables

Code	Colour
BK	Black
BN	Brown
RD	Red
OG	Orange
YE	Yellow
GN	Green
BU	Blue
VT	Violet
GY	Grey
WH	White
PK	Pink

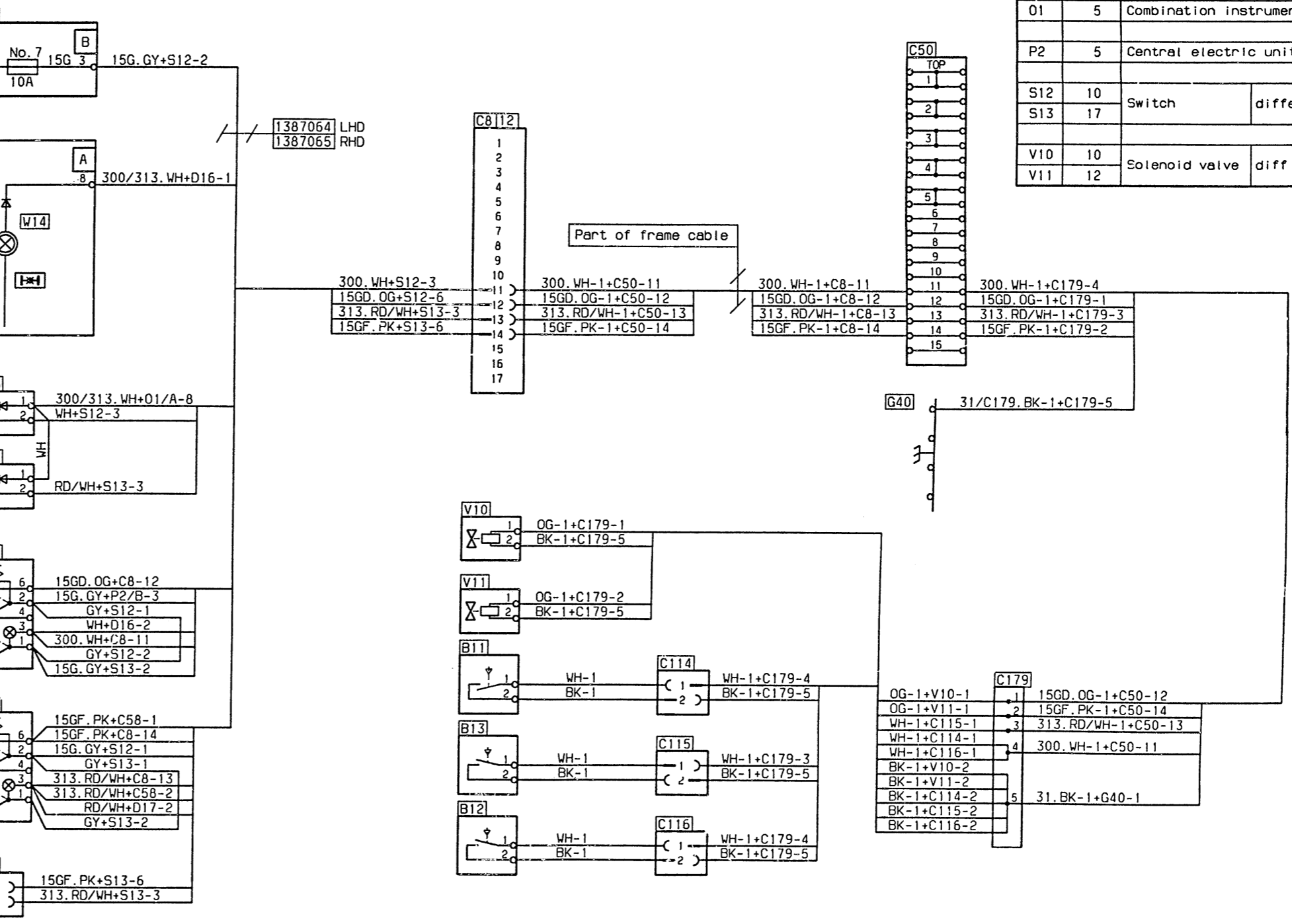


Bulb tabular

Code	Type
A	W2.1x9.5d-24V-2W
B	BA9s-24V-2W
C	BA15s-24V-15W
D	SV8.5-24V-5W L=39
E	BA15s-24V-10W
F	BA15s-24V-5W
G	24V-1.2W
H	BA15s-24V-21W
K	P43t-24V-75/70w H4
L	P45t-24V-55/50W B11ux
M	W2x4.6d-24V-1.2W
N	BA7s-24V-3W
P	PK22s-24V-70W H3
R	BA15s-24V-21W

Des.	Path	Description
B11	15	1:st axle
B12	18	Switch diff lock 2:nd axle
B13	20	bogie
C8		Connector 17-pole
C50		Junction box 15-pole
C58	21	
C114		Connector 2-pole
C115		
C116		
C179		Moulded junction 5-pole
D16	13	Diode diff lock axle
D17	15	bogie
G40	11	Ground frame
O1	5	Combination instrument
P2	5	Central electric unit
S12	10	Switch differential axle
S13	17	bogie
V10	10	Solenoid valve diff lock con axle
V11	12	bogie

Wiring diagram



Applies to: 6x4, 8x4

1387066