

16:04-29

Edition 2

Diffspärrar

Differential locks

Differentialsperre

Differentialslot

Blocage de différentiels

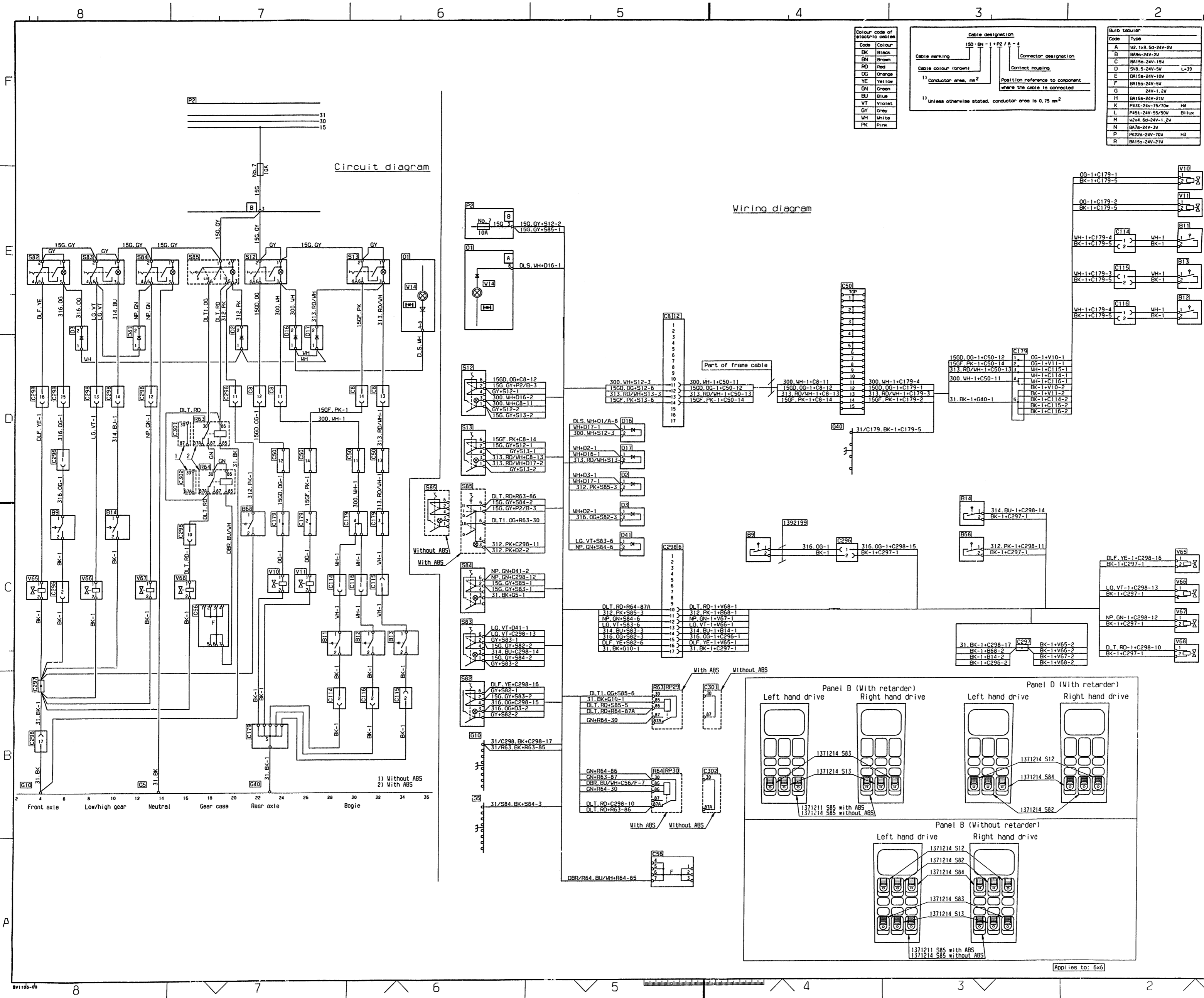
Bloqueadores de diferencial

Bloccaggio differenziale

Tasauspyörästön lukot

6x6

From chassis No. 1 223 608

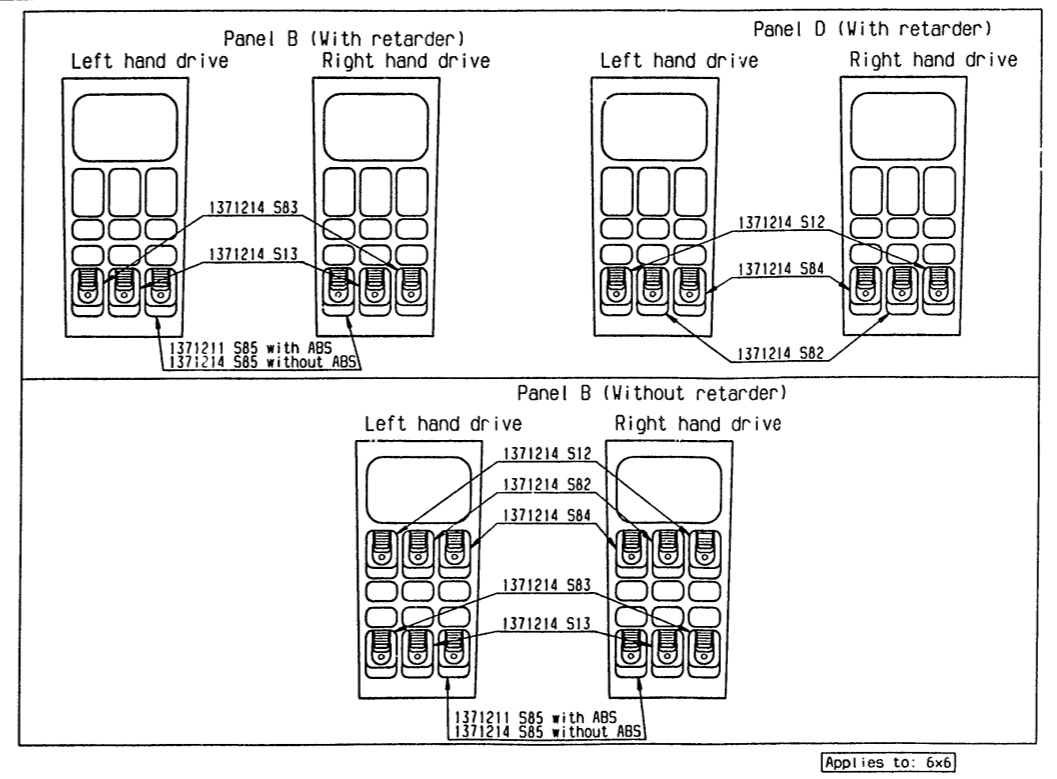


Colour code of electric cables	
Code	Colour
BK	Black
BN	Brown
RD	Red
OG	Orange
YE	Yellow
GN	Green
BL	Blue
VT	Violet
GY	Grey
WH	White
PK	Pink

Cable designation	
Cable marking	150 BK-1+P2/A-4
Cable colour (from)	Connector designation
1) Conductor area, mm ²	Position reference to component where the cable is connected
1) Unless otherwise stated, conductor area is 0,75 mm ²	

Auto labour	
Code	Type
A	V2, 1x9, 50-24V-2V
B	BA95-24V-2V
C	BA15a-24V-15V
D	DA8, 5-24V-5V L=19
E	BA15a-24V-10V
F	BA15a-24V-5V
G	24V-1, 2V
H	BA15a-24V-21V
K	PA31-24V-75/70W H4
L	PA31-24V-55/50W B1rus
M	V2x4, 60-24V-1, 2V
N	BA7a-24V-3V
P	PK22a-24V-70V H3
R	BA15a-24V-21V

Des.	Path	Description
B9	5	Switch front axle diff. lock
B11	25	1st axle diff. lock
B12	30	2nd axle diff. lock
B13	33	bogie
B14	10	low gear
B68	21	gear box diff. lock
C8	Connector	17-pole
C50	Junction box	15-pole
C56	Junction block	
C114	Connector	2-pole
C115		
C116		
C179		5-pole
C296		2-pole
C297	3	1-pole
C298		17-pole
C301	15	Bridge 30-87
C302	16	30-87a
D2	20	Diode gear box diff. lock
D3	6	rear axle diff. lock
D16	24	axle diff. lock
D17	26	diff. lock bogie
D41	11	diff. lock low gear
G5	13	Ground instrument panel
G10	3	
G40	22	frame
O1	34	Instrument cluster
P2	16	Central electric unit
R63	17	Relay
R64	18	
S12	21	Switch rear axle diff. lock
S13	30	bogie diff. lock
S82	3	front axle diff. lock
S83	8	low gear
S84	12	neutral position
S85	17	gear box diff. lock
V10	23	Solenoid valve axle diff. lock engaging
V11	26	bogie diff. lock engaging
V65	3	front axle diff. lock engaging
V66	8	low gear
V67	12	neutral position
V68	16	gear box diff lock engaging
W14	35	Warning lamp diff. lock



Printed in Sweden by Novum Grafiska AB, Gbg 1996.

1387065

Applies to: 6x6