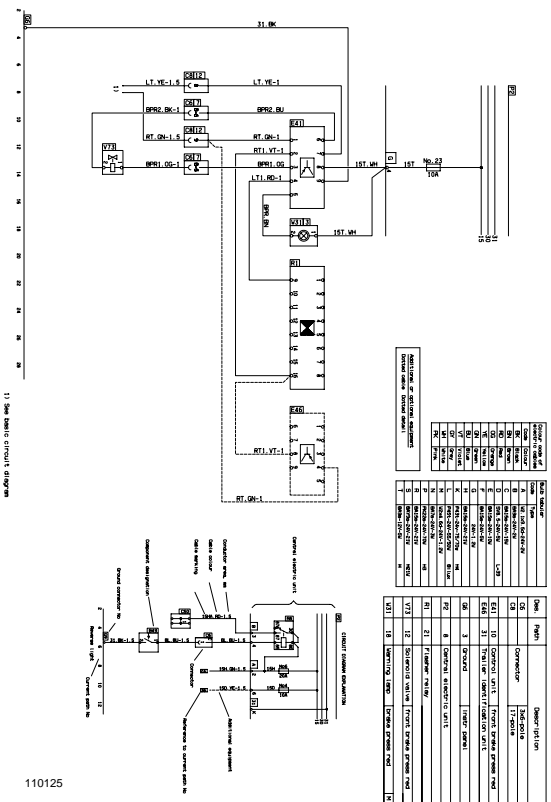




16:04-30

Utgåva/Issue/Ausgabe/Uitgave/Edición/Edtion/Edizione/Painos 1



Bromstrycksreducering framaxel

Brake pressure reduction front axle

Bremsdruckreduzierer Vorderachse

Remdrukbeugrenzing vooras

Reducción de presión de frenos en eje delantero

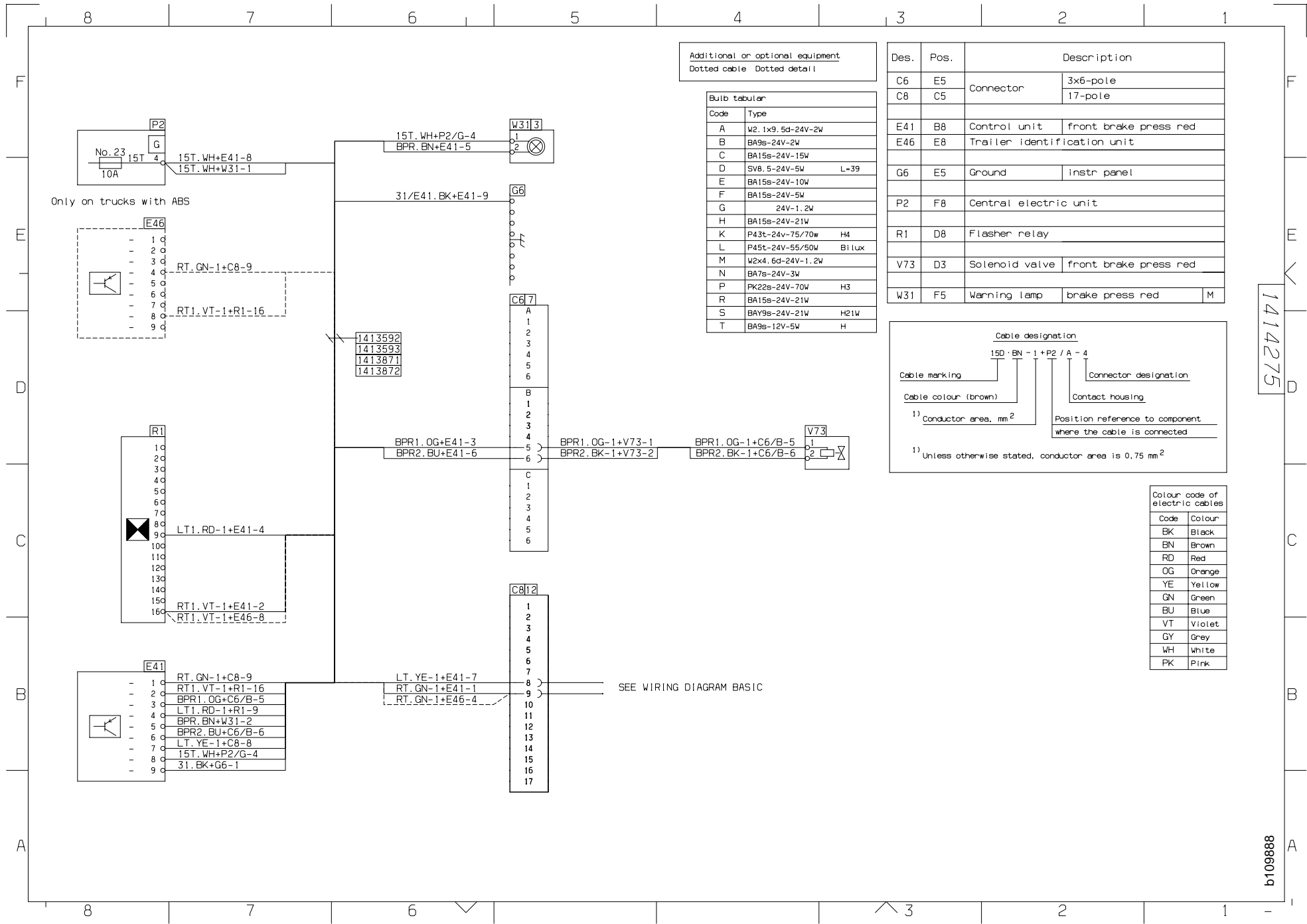
Réduction de la pression de freinage essieu avant

Riduzione della pressione di frenatura sull'asse anteriore

Etuakselin jarrupaineen alennus

Diminuição da pressão de frenagem do eixo dianteiro

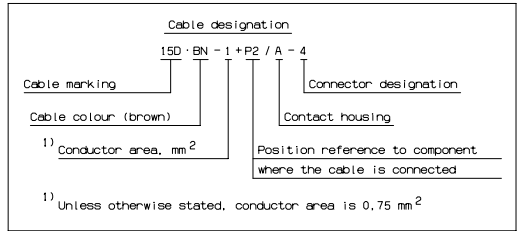
Förbindningschema/Kretsschema  
 Wiring diagram/Circuit diagram  
 Verbindungsplan/Stromkreisplan  
 Aansluitschema/Circuitschema  
 Diagrama de conexiones/Diagrama de circuitos  
 Schéma des liaisons/Schéma électrique  
 Schema dei collegamenti/Schema circuiti  
 Kytkäntäkaavio/Piirikaavio  
 Esquema de conexões/Diagrama de circuito



Additional or optional equipment  
Dotted cable Dotted detail

Bulb tabular	
Code	Type
A	W2. 1x9. 5d-24V-2W
B	BA9s-24V-2W
C	BA15s-24V-15W
D	Sv8. 5-24V-5W L=39
E	BA15s-24V-10W
F	BA15s-24V-5W
G	24V-1.2W
H	BA15s-24V-21W
K	P43t-24v-75/70w H4
L	P45t-24V-55/50W Bi lux
M	W2x4. 6d-24V-1.2W
N	BA7s-24V-3W
P	PK22s-24V-70W H3
R	BA15s-24V-21W
S	BAV9s-24V-21W H21W
T	BA9s-12V-5W H

Des.	Pos.	Description	
C6	E5	Connector	3x6-pole
C8	C5		17-pole
E41	B8	Control unit	front brake press red
E46	E8	Trailer identification unit	
G6	E5	Ground	instr panel
P2	F8	Central electric unit	
R1	D8	Flasher relay	
V73	D3	Solenoid valve	front brake press red
W31	F5	Warning lamp	brake press red M



Colour code of electric cables	
Code	Colour
BK	Black
BN	Brown
RD	Red
OG	Orange
YE	Yellow
GN	Green
BU	Blue
VT	Violet
GY	Grey
WH	White
PK	Pink

1414275

b109888

SEE WIRING DIAGRAM BASIC