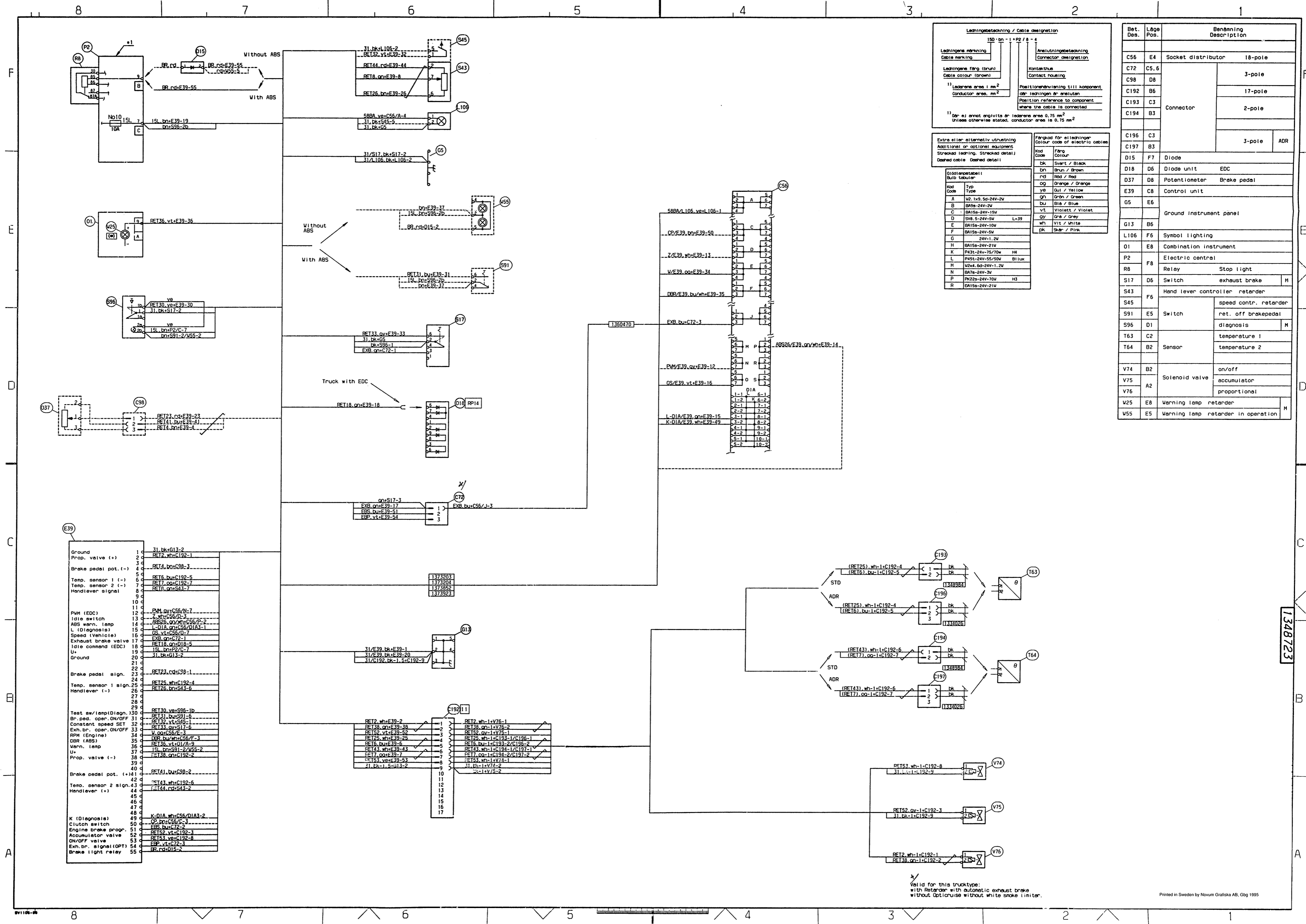


16:04-33

Edition 1

- Retarder
- Retarder
- Retarder
- Retarder
- Ralentisseur
- Ralentizador
- Retardador
- Rallentatore
- Hidastin



Leadsdesignering / Cable designation

Leadsdesignering Cable marking	Analysdesignering Connector designation
Leadsdesignering färg (brun) Cable colour (brown)	Kontakthous Contact housing
1) Ledarens area i mm ² Conductor area, mm ²	Positioneringsreferens till komponent eller ledningen är analysen Position reference to component where the cable is connected
2) Om ej annat angivits är ledarens area 0,35 mm ² Unless otherwise stated, conductor area is 0,35 mm ²	

Extra eller alternativ utrustning
Additional or optional equipment

Ströklad ledning, ströklad detalj Dashed cable	Dashed detail
Färgkod för alla ledningar Colour code of electric cables	Kod Code
	Färg Colour
	Bk Svart / Black
	Bn Brun / Brown
	Rd Röd / Red
	Og Oransj / Orange
	Yg Gul / Yellow
	Gn Grön / Green
	Bu Blå / Blue
	Vl Violet / Violet
	Gv Grå / Grey
	Vh Vit / White
	Pk Själv / Pink

Diodebeteckning
Diode tabular

Kod	Type	Spänning	Ström
A	V2	1x3,5d-24V-2W	
B	BA15	24V-2W	
C	BA15a	24V-15W	L=39
D	5W	5-24V-5W	
E	BA15a	24V-10W	
F	BA15a	24V-5W	
G		24V-1,2W	
H	BA15a	24V-21W	
K	PA3	24V-75/70W	HL
L	PA51	24V-55/50W	Blue
M	Wd4	6d-24V-1,2W	
N	BA7a	24V-3V	
P	PK25a	24V-70W	HS
R	BA15a	24V-21W	

Bet. Des.	Läge Pos.	Benämning Description	
C56	E4	Socket distributor	18-pole
C72	C5, 6	Connector	3-pole
C98	D8		17-pole
C192	B6		2-pole
C194	B3	3-pole	ADR
C196	C3		
C197	B3		
D15	F7	Diode	
D18	D6	Diode unit	EDC
D37	D8	Potentiometer	Brake pedal
E39	C8	Control unit	
G5	E6	Ground instrument panel	
G13	B6		
L106	F6	Symbol lighting	
O1	E8	Combination instrument	
P2	F8	Electric central	
R8	F8	Relay	Stop light
S17	D6	Switch	exhaust brake M
S43	F6	Hand lever controller	retarder
S45	F6		speed contr. retarder
S91	E5	Switch	ret. off brakepedal M
S96	D1		diagnosis M
T63	C2	Sensor	temperature 1
T64	B2		temperature 2
V74	B2	Solenoid valve	on/off
V75	A2		accumulator
V76	A2		proportional
V25	E8	Warning lamp retarder	
V55	E5	Warning lamp retarder in operation	M

Ground	1	31 bk-G13-2
Prop. valve (+)	2	RET2.whiC192-1
Brake pedal pot. (-)	3	RET4.bnC39-3
	4	
Temp. sensor 1 (-)	6	RET6.bnC192-5
Temp. sensor 2 (-)	7	RET11.bnC192-7
Handlever signal	8	RET9.ovS41-7
	9	
	10	
PUM (EDC)	12	EM.ovC56/A-7
Idle switch	13	RET2.whiC192-1
ABS warn. temp	14	ABS39.ovC56/P-2
L (Diagnosis)	15	L-DIA.ovC56/DIA3-1
Speed (Vehicle)	16	OS.vtC56/D-7
Exhaust brake valve	17	EXB.ovC72-1
Idle command (EDC)	18	ISL.bnP2/G-7
U+	19	31 bk-G13-2
Ground	20	
	21	
Brake pedal sign.	22	RET23.cdC39-1
Temp. sensor 1 sign.	24	RET25.whiC192-4
Handlever (-)	26	RET26.bnS43-5
	27	
	28	
	29	
Test sv/TempDiagn	30	RET30.vvtS96-1D
Br.ped.oper.ON/OFF	31	RET31.bnS91-6
Constant speed SET	32	RET32.vvtS96-1
Exh.br.oper.ON/OFF	33	RET33.ovC72-1
RPM (Engine)	34	U.ovC56/E-3
Warn. temp	35	DRB.bnC56/E-3
U+	36	RET36.vtC192-3
Prop. valve (-)	37	ISL.bnS91-2/V55-2
	38	RET18.ovE39-18
	39	
Brake pedal pot. (+)	40	RET41.bnC39-2
	41	
Temp. sensor 2 sign.	42	RET25.whiC192-4
Handlever (+)	43	RET26.bnS43-5
	44	
	45	
	46	
	47	
	48	
K (Diagnosis)	49	L-DIA.ovC56/DIA3-2
Clutch switch	50	OP.bnC56/C-3
Engine brake prog.	51	RET32.vtC192-3
Accumulator valve	52	RET53.vvtC192-2
ON/OFF valve	53	RET53.vvtC192-2
Exh.br.signal(OPT)	54	EXB.ovC72-1
Brake light relay	55	RR.cdD16-2

RET2.whiC192-1	1	RET2.whiC192-1
RET38.ovE39-38	2	RET38.ovE39-38
RET52.vtC192-2	3	RET52.vtC192-2
RET53.vvtC192-2	4	RET53.vvtC192-2
RET54.whiC192-4	5	RET54.whiC192-4
RET55.ovE39-5	6	RET55.ovE39-5
RET56.whiC192-4	7	RET56.whiC192-4
RET57.ovE39-7	8	RET57.ovE39-7
RET58.ovE39-8	9	RET58.ovE39-8
RET59.whiC192-2	10	RET59.whiC192-2
RET60.whiC192-2	11	RET60.whiC192-2
RET61.whiC192-2	12	RET61.whiC192-2
RET62.whiC192-2	13	RET62.whiC192-2
RET63.whiC192-2	14	RET63.whiC192-2
RET64.whiC192-2	15	RET64.whiC192-2
RET65.whiC192-2	16	RET65.whiC192-2
RET66.whiC192-2	17	RET66.whiC192-2

Valid for this trucktype:
with Retarder with automatic exhaust brake
without Option/without white smoke limiter.

1348723