

# 16:04-34

Edition 1

**Retarder med automatisk avgasbroms (EEB)**

**Retarder with automatic exhaust brake (EEB)**

**Retarder mit automatischer Abgasbremse (EEB)**

**Retarder met autom. uitlaatrem (EEB)**

**Ralentisseur avec ralentisseur sur échappement automatique (EEB)**

**Ralentizador con freno de escape automático (EEB)**

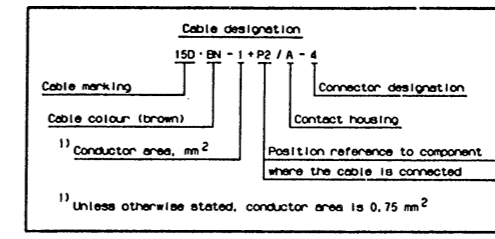
**Retardador com freio motor (travão de escape) automático (EEB)**

**Rallentatore con freno motore automatico (EEB)**

**Hidastin ja aut. pakokaasujarru (EEB)**

**Retarder z automatycznym hamulcem wydechowym (EEB)**

Das.	Pos.	Description
C56	E4	Junction block
C98	D7	3-pole
C192	B6	17-pole
C193	C3	Connector
C194	B3	2-pole
C196	B3	3-pole
C197	B3	
D15	F7	Diode control lamp
D18	C6	Diode unit
D37	D8	Potentiometer brake pedal
E1	C8	exhaust brake, white sm ilm
E5	D8	Control unit Opticruise Retarder
E39	C8	
G5	E6	Ground Instr panel
G7	D6	Ground front plate
G13	B6	
L106	F6	Symbol lighting/retarder panel M
O1	E8	Combination instrument
P2	F8	Central electric unit
S17	D6	aut exhaust brake on/off retarder
S43	F6	Switch
S91	E6	ret. brake pedal on/off
S96	E8	diagnostics retarder
T63	C2	Sensor coolant temp. 1 retarder
T64	B2	coolant temp. 2 retarder
V74	A3	retarder on/off
V75	A3	solenoid valve accumulator
V76	A3	proportional
V25	E8	Warning lamp retarder
V55	E6	retarder in operation M

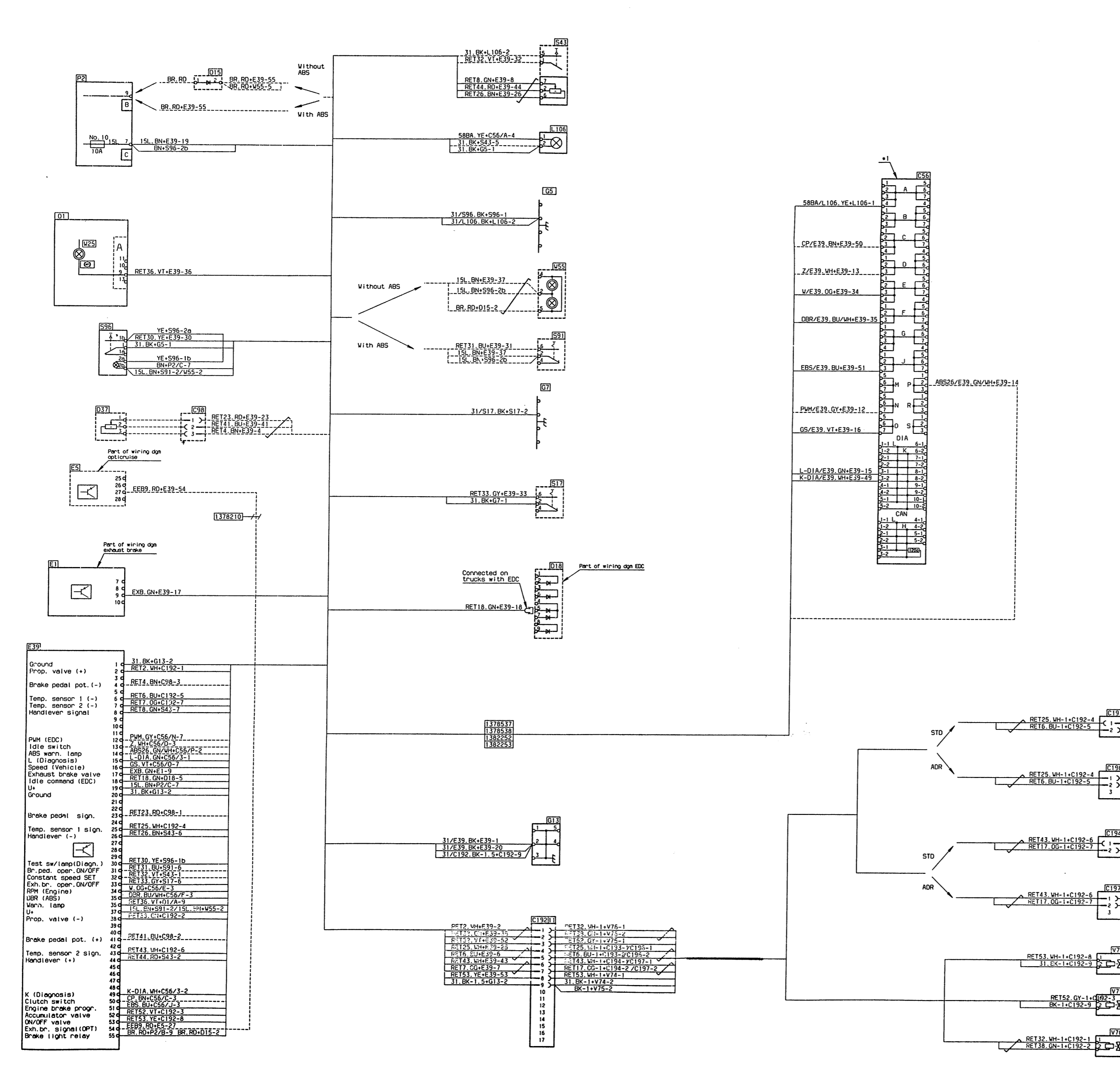


**Additional or optional equipment**

Dotted cable Dotted detail

Code	Colour
BK	Black
BN	Brown
RD	Red
OG	Orange
YE	Yellow
GN	Green
BU	Blue
VT	Violet
GY	Grey
WH	White
PK	Pink

Build tabulator	Code	Type
A	V2	1x5, 5d-24V-2V
B	BA15s-24V-2V	
C	BA15s-24V-15W	
D	BV8	5-24V-5W L-39
E	BA15s-24V-10W	
F	BA15s-24V-3W	
G	24V-1, 2V	
H	BA15s-24V-21W	
K	PA3L-24V-75/70w	H4
L	PA3L-24V-55/50w	B1Lux
M	KA4	6d-24V-1, 2V
N	BA7s-24V-3W	
P	PA27s-24V-70W	H3
R	BA15s-24V-21W	



Code	Description	Wire Color	Terminal
1	Ground	BK	G13-2
2	Prop. valve (+)	BK	RET2, WH+C192-1
3	Brake pedal pot. (-)	BK	RET4, BN+C98-3
4	Temp. sensor 1 (-)	BK	RET6, BU+C192-5
5	Temp. sensor 2 (-)	BK	RET7, BU+C192-7
6	Handlever signal	BK	RET8, GN+S43-7
7		BK	
8		BK	
9		BK	
10		BK	
11		BK	
12	PWM (EDC)	BK	PWM, GY+C56/N-7
13	Idle switch	BK	Z, WH+S96-3
14	ABS warn. lamp	BK	ABS56, GN+H+C56/78-2
15	L (Diagnosis)	BK	L-DIA, GN+C56/3-1
16	Speed (Vehicle)	BK	SS, VT+C56/7-7
17	Exhaust brake valve	BK	EXB, GN+E17-9
18	Idle command (EDC)	BK	RET18, GN+E39-16
19	U+	BK	ISL, BN+P2/C-7
20	Ground	BK	31, BK+G13-2
21		BK	
22		BK	
23	Brake pedal sign.	BK	RET23, RD+C98-1
24	Temp. sensor 1 sign.	BK	RET25, WH+C192-4
25	Handlever (-)	BK	RET26, BN+S43-5
26		BK	
27		BK	
28		BK	
29		BK	
30	Test sw/lamp(Diagn.)	BK	RET30, YE+S96-1b
31	Br. ped. oper. ON/OFF	BK	RET31, BU+E39-31
32	Constant speed SET	BK	RET32, GY+S17-5
33	Exh.br. oper. ON/OFF	BK	RET33, GY+S17-5
34	RPM (Engine)	BK	W, OG+C56/E-3
35	DR (ABS)	BK	DR, BU+H+C56/F-3
36	Warn. lamp	BK	RET36, VT+O1/A-9
37	U+	BK	ISL, BN+P2/C-7
38	Prop. valve (-)	BK	RET38, GN+C192-2
39		BK	
40		BK	
41	Brake pedal pot. (+)	BK	RET41, BU+C98-2
42	Temp. sensor 2 sign.	BK	RET43, WH+C192-6
43	Handlever (+)	BK	RET44, RD+S43-2
44		BK	
45		BK	
46		BK	
47		BK	
48		BK	
49	K (Diagnosis)	BK	K-DIA, WH+C56/3-2
50	Clutch switch	BK	CP, BN+S56/C-3
51	Engine brake prog.	BK	EBS, BU+C56/J-3
52	Accumulator valve	BK	RET52, GY-1+C192-3
53	ON/OFF valve	BK	RET53, YE+C192-8
54	Exh.br. signal(OPT)	BK	EBP9, RD+S-2
55	Brake light relay	BK	BR, RD+P2/B-9 BR, RD+O15-2