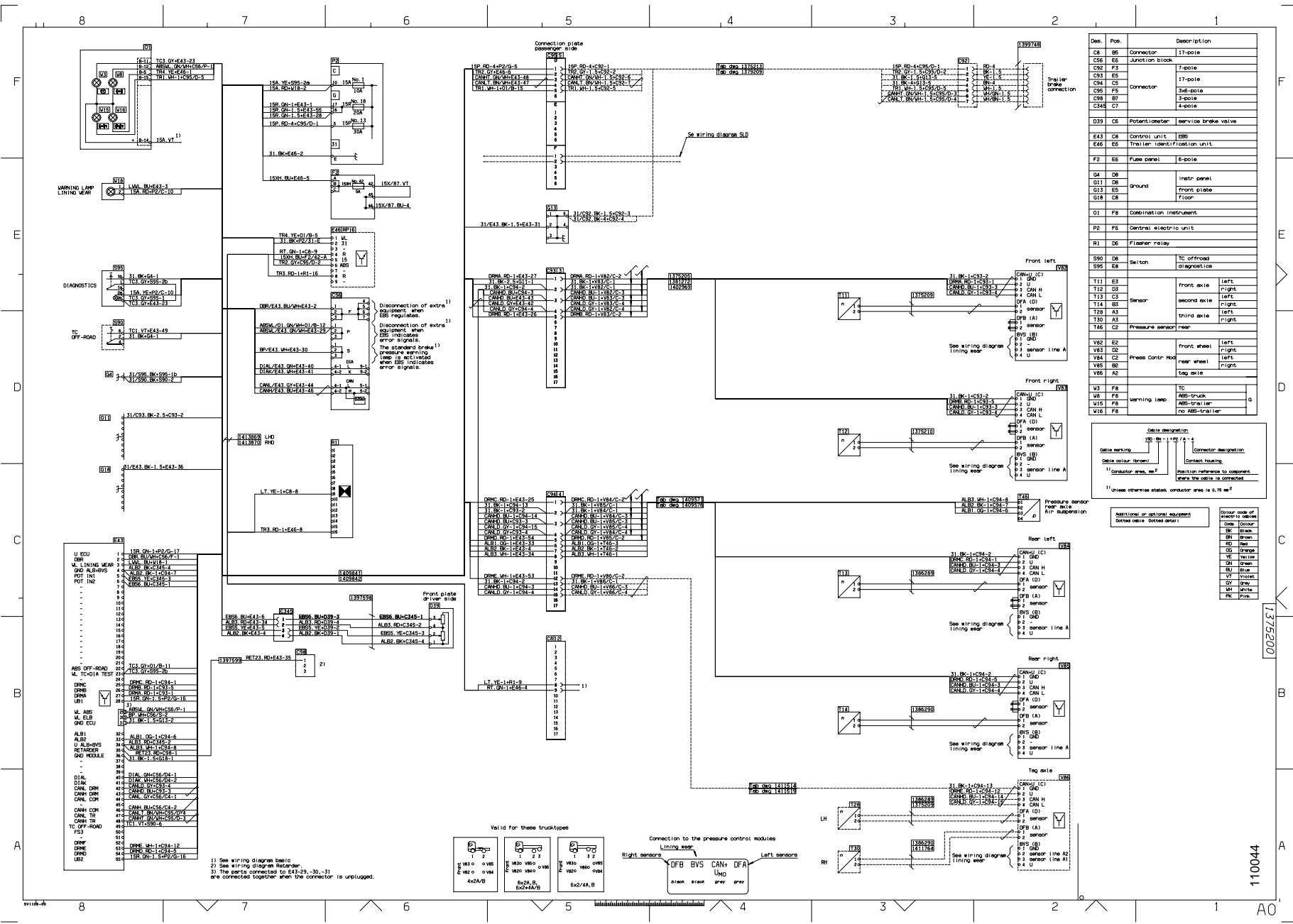




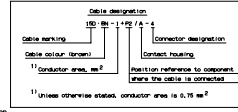
16:04-35

Utgåva/Issue/Ausgabe/Utgave/Edición/Edition/Edizione/Painos 2

EBS

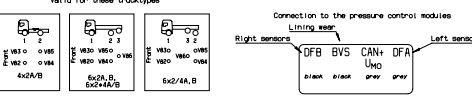


Des.	Pos.	Description
C8	E6	Connector 17-pole
C56	E6	Junction block
C93	F3	3-pole
C93	E5	17-pole
C94	C5	Connector 36-pole
C95	F5	3-pole
C96	E7	4-pole
C345	C7	
D39	C6	Potentiometer service brake valve
E43	C8	Control unit ESP
E46	E5	Trailer identification unit
F2	E5	Fuse panel 6-pole
G4	D8	Instr. panel
G11	D6	Ground
G13	E5	front plate
G18	C8	Floor
G1	F8	Combination instrument
P2	F6	Central electric unit
R1	D6	Fleasman relay
S90	D8	TC offroad
S95	E8	TC offroad diagnosis
T11	E3	front axle left
T12	D3	front axle right
T13	C3	second axle left
T14	E3	second axle right
T28	A3	third axle left
T30	A3	third axle right
T45	C2	Pressure sensor rear
V62	E2	Front wheel left
V63	C2	Front wheel right
V64	C2	Press. Contr. Mod. rear wheel left
V65	B5	rear wheel right
V66	A2	tag axle
W3	F8	TC
W5	F8	ABS-truck
W15	F8	ABS-trailer
W16	F8	no ABS-trailer



Colour code of electric cable	Colour
BR	Brown
BL	Black
RD	Red
GR	Green
VE	Yellow
BL	Blue
OR	Orange
BU	Blue
OV	White
OV	White
WH	White
PK	Pink

- 1) See wiring diagram basic
- 2) See wiring diagram trailer
- 3) The parts connected to E43-29, -30, -31 are connected together when the connector is unplugged.



175200
110044
A0