

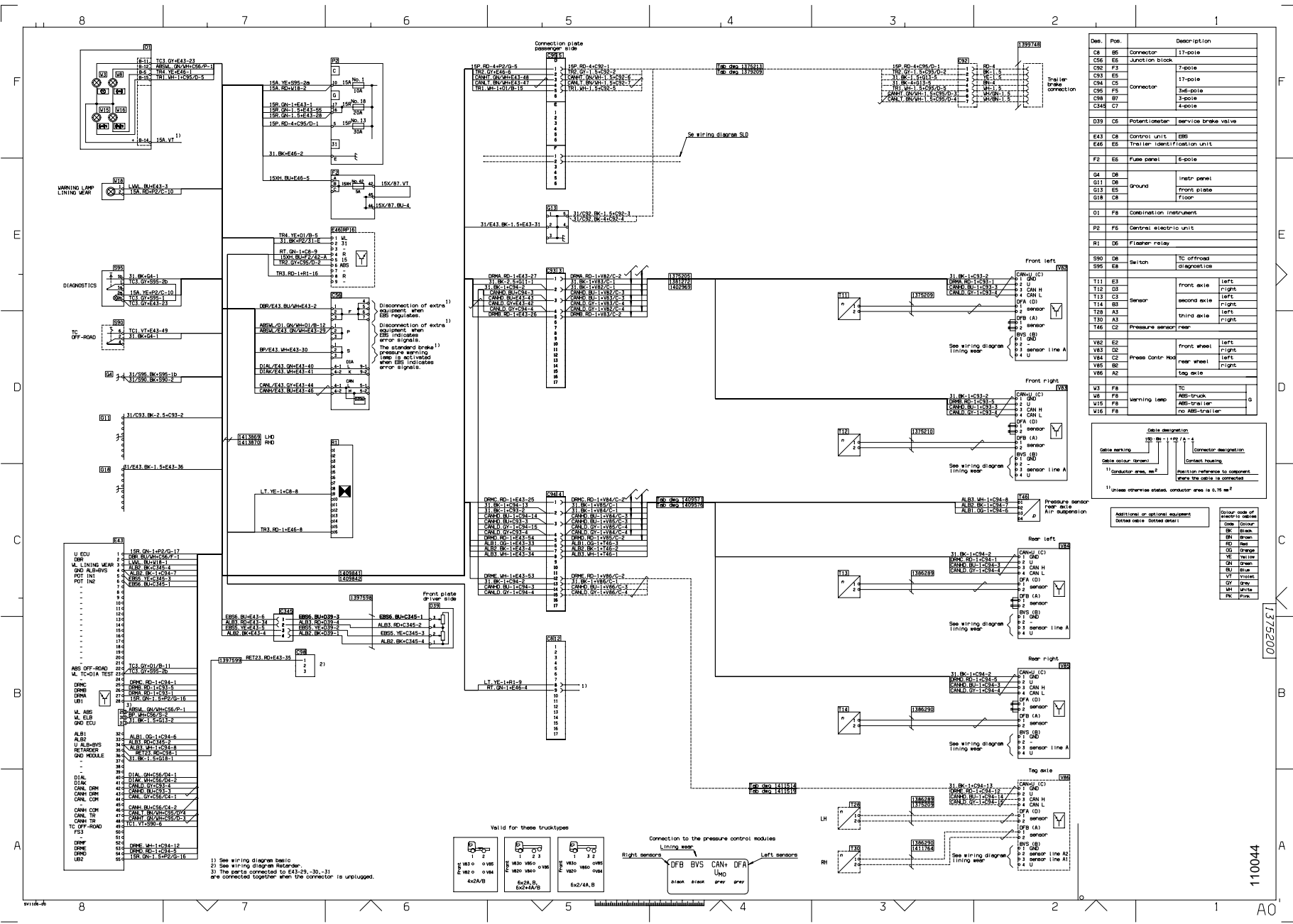
1 586 991

**16:04-35**

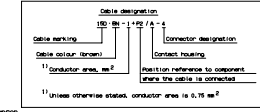
Utgåva/Issue/Ausgabe/Utgave/Edición/Edizione/Edizione/Painos 2

**EBS**

© Scania CV AB 1997, Sweden



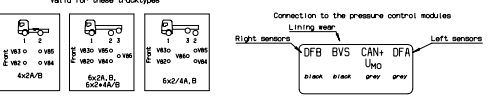
Des.	Pos.	Description
C8	E6	Connector 17-pole
C56	E6	Junction block
C93	F3	3-pole
C93	F3	17-pole
C94	C5	Connector
C95	F5	36-pole
C96	B7	3-pole
C345	C7	4-pole
D39	C6	Potentiometer service brake valve
E43	C8	Control unit EBS
E46	E6	Trailer identification unit
F2	E5	Fuse panel 6-pole
G4	D8	Instr. panel
G11	D6	Ground front plate
G13	E5	Ground floor
G18	C8	Floor
G1	F8	Combination instrument
P2	F6	Central electric unit
R1	D6	Fleaman relay
S90	D8	TC offroad
S95	E8	TC diagnosis
T11	E3	front axle left
T12	D3	front axle right
T13	C3	second axle left
T14	B3	second axle right
T29	A3	third axle left
T30	A3	third axle right
T48	C2	Pressure sensor rear
VE2	E2	Front wheel left
VE3	C2	Front wheel right
V64	C2	Press. Contr. Mod. rear wheel left
V65	B2	rear wheel right
V66	A2	tag axle
W3	F8	TC
W4	F8	ABS-truck
W5	F8	ABS-trailer
W16	F8	no ABS-trailer



1) Unless otherwise stated, conductor area is 0.75 mm<sup>2</sup>

Additional or optional equipment	Colour code of electric cable
100	Black
101	Blue
102	Brown
103	Green
104	Grey
105	Red
106	White
107	Yellow
108	Pink

1) See wiring diagram basic  
 2) See wiring diagram trailer  
 3) The parts connected to E43-29, -30, -31 are connected together when the connector is unplugged.



1375200  
 110044  
 A0