

16:04-42

Edition 1

Luftfjädring - elektroniskt styrd (ELC)
4x2 samt 6x4 utan lastöverföring

Air suspension, electronically controlled (ELC)
4x2 and 6x4 without load transfer

Luftfederung - elektronisch gesteuert (ELC)
4x2 und 6x4 ohne Lastübertragung

Luchtvering - elektronisch gestuurd (ELC)
4x2 en 6x4 zonder lastoverheveling

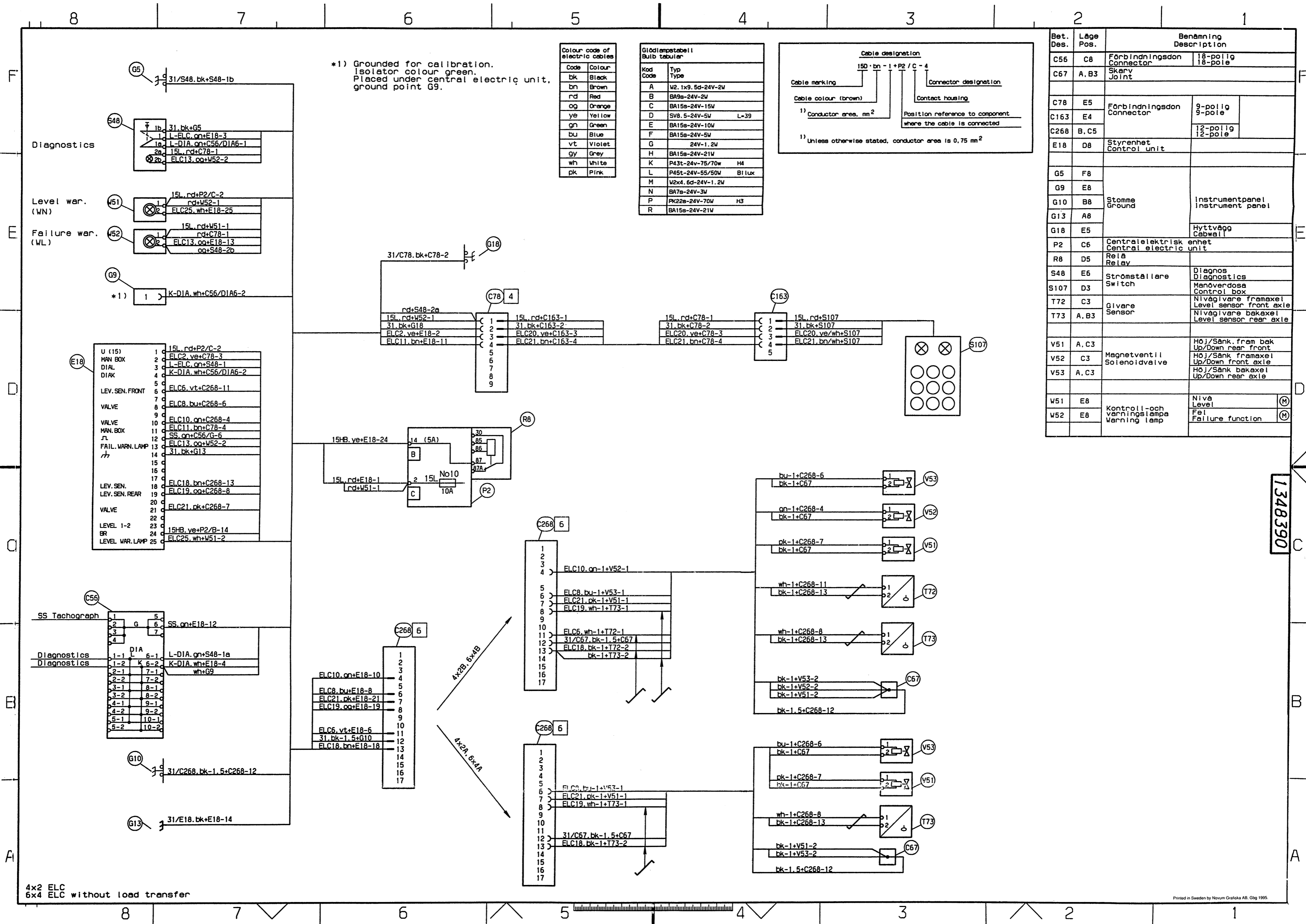
Suspension - commande électronique (ELC)
4x2 et 6x4 sans report de charge

Suspensión neumática - mando electrónico (ELC)
4x2 y 6x4 sin transferencia de la carga

Suspensão pneumática controlada eletronicamente (ELC)
4x2 e 6x2 sem transferência de carga

Sospensione pneumatica a comando elettronico (ELC)
4x2 e 6x4 senza trasferimento del carico

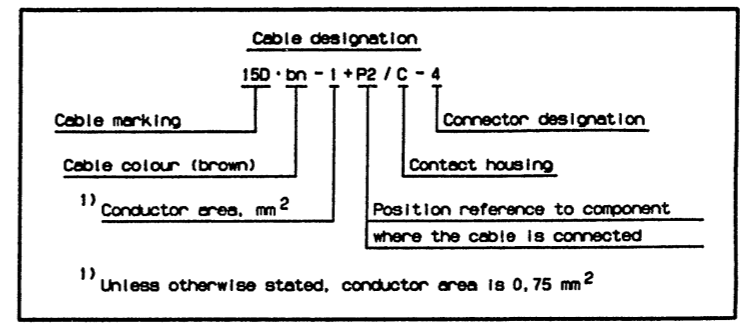
Ilmajousitus - elektronisesti ohjattu (ELC)
4x2 sekä 6x4 ilman painonsiirtoa



*1) Grounded for calibration.
Isolator colour green.
Placed under central electric unit,
ground point G9.

| Code | Colour |
|------|--------|
| bk | Black |
| bn | Brown |
| rd | Red |
| og | Orange |
| ys | Yellow |
| gn | Green |
| bu | Blue |
| vt | Violet |
| gy | Grey |
| wh | White |
| pk | Pink |

| Glödlampstabell Bulb tabular | |
|---------------------------------|-----------------------|
| Kod Code | Typ Type |
| A | W2. 1x9. 5g-24V-2W |
| B | BA9s-24V-2W |
| C | BA15s-24V-15W |
| D | SV8. 5-24V-5W L=39 |
| E | BA15s-24V-10W |
| F | BA15s-24V-5W |
| G | 24V-1.2W |
| H | BA15s-24V-21W |
| K | P43t-24v-75/70w H4 |
| L | P45t-24V-55/50W BILux |
| M | V2x4. 6d-24V-1.2W |
| N | BA7s-24V-3W |
| P | PK22s-24V-70W H3 |
| R | BA15s-24V-21W |



| Bet. Des. | Läge Pos. | Benämning Description | |
|-----------|-----------|---|--|
| C56 | C8 | Förbindningsdon Connector | 18-polig 18-pole |
| C67 | A, B3 | Skerv Joint | |
| C78 | E5 | Förbindningsdon Connector | 9-polig 9-pole |
| C163 | E4 | | |
| C268 | B, C5 | | 12-polig 12-pole |
| E18 | D8 | Styr enhet Control unit | |
| G5 | F8 | | |
| G9 | E8 | | |
| G10 | B8 | Stomme Ground | Instrumentpanel Instrument panel |
| G13 | A8 | | |
| G18 | E5 | | Hyttvägg Cabwall |
| P2 | C6 | Centralelektrisk enhet Central electric unit | |
| R8 | D5 | Relä Relay | |
| S48 | E6 | Strömställare Switch | Diagnos Diagnostics |
| S107 | D3 | Manöverdosan Control box | |
| T72 | C3 | givare Sensor | Nivågivare framaxel Level sensor front axle |
| T73 | A, B3 | | Nivågivare bakaxel Level sensor rear axle |
| V51 | A, C3 | Magnetventil Solenoidvalve | Höj/Sänk fram bak Up/Down rear front |
| V52 | C3 | | Höj/Sänk framaxel Up/Down front axle |
| V53 | A, C3 | | Höj/Sänk bakaxel Up/Down rear axle |
| W51 | E8 | Kontroll- och varningslampa Warning lamp | Nivå Level |
| W52 | E8 | | Fel Failure function |

4x2 ELC
6x4 ELC without load transfer

1348390