

# 16:04-43

Edition 1

**Luftfjädring - elektroniskt styrd (ELC) 6x2**

**Air suspension, electronically controlled (ELC) 6x2**

**Luftfederung - elektronisch gesteuert (ELC) 6x2**

**Luchtvering - elektronisch gestuurd (ELC), 6x2**

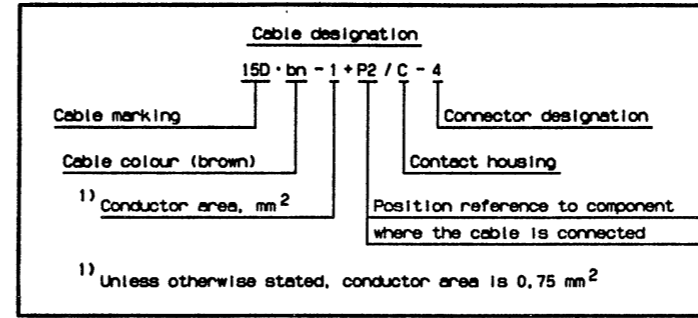
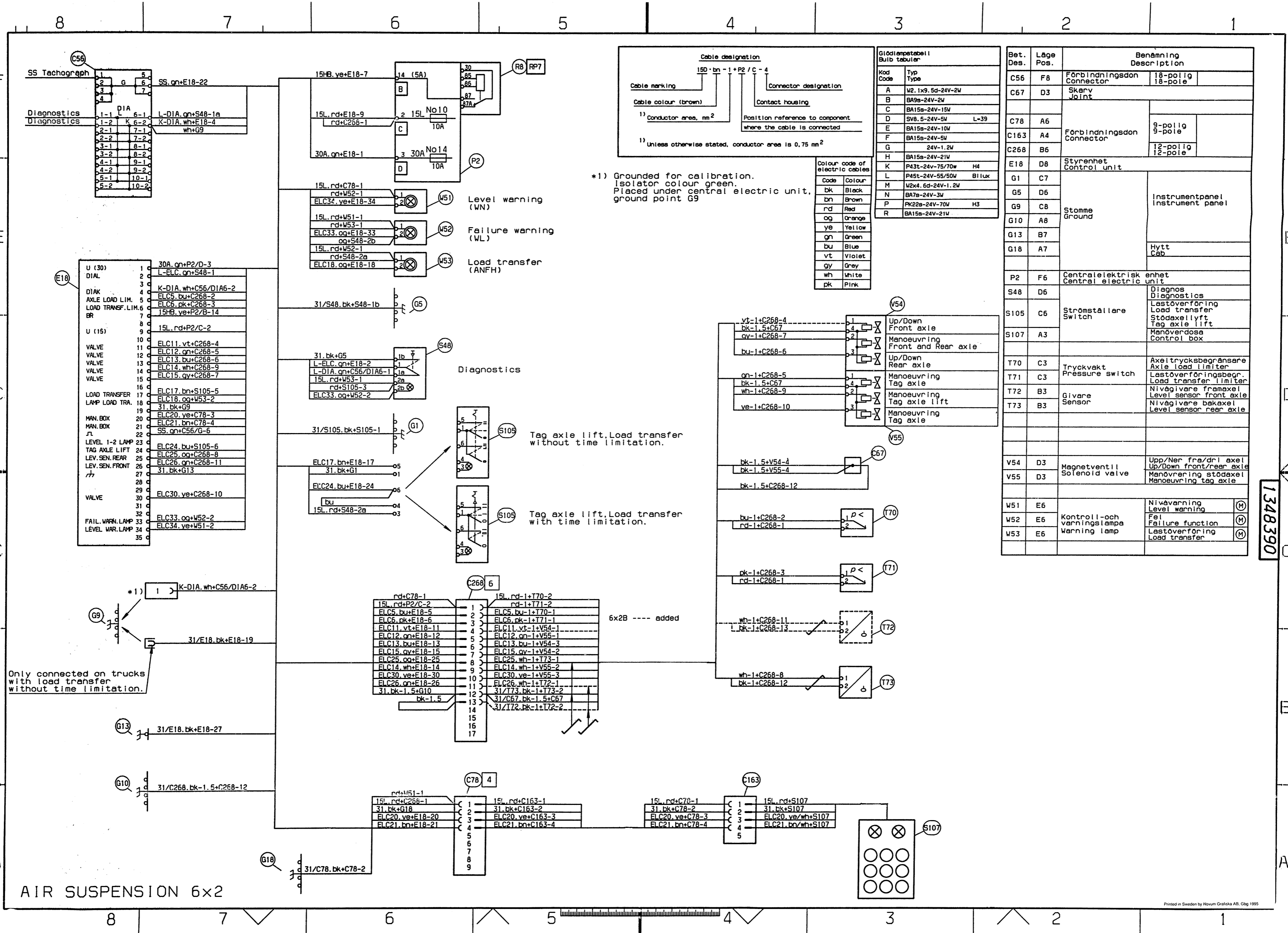
**Suspension - commande électronique (ELC) 6x2**

**Suspensión neumática - mando electrónico (ELC) 6x2**

**Suspensão pneumática controlada eletronicamente (ELC) 6x2**

**Sospensione pneumatica a comando elettronico (ELC) 6x2**

**Ilmajousitus - elektronisesti ohjattu (ELC) 6x2**



**Glödlampstabell Bulb tabular**

Kod Code	Typ Type
A	V2, 1x9, 5d-24V-2W
B	BA9s-24V-2W
C	BA15s-24V-15W
D	SV8, 5-24V-5W L-39
E	BA15s-24V-10W
F	BA15s-24V-5W
G	24V-1,2W
H	BA15s-24V-21W
K	P43t-24V-75/70W H4
L	P45t-24V-55/50W B11xLx
M	V2x4, 6d-24V-1,2W
N	BR7s-24V-3W
P	PK22s-24V-70W H3
R	BA15s-24V-21W

**Colour code of electric cables**

Code	Colour
bk	Black
bn	Brown
rd	Red
og	Orange
ye	Yellow
gn	Green
bu	Blue
vt	Violet
gy	Grey
wh	White
pk	Pink

Bet. Des.	Läge Pos.	Benämning Description	
C56	F8	Förbindningsdon Connector	18-pole 18-pole
C67	D3	Skarv Joint	
C78	A6	Förbindningsdon Connector	9-pole 9-pole
C163	A4		12-pole 12-pole
C268	B6		
E18	D8	Styrenhet Control unit	
G1	C7		
G5	D6	Stomme Ground	Instrumentpanel Instrument panel
G9	C8		
G10	A8		
G13	B7		
G18	A7		Hytt Cab
P2	F6	Centralelektrisk enhet Central electric unit	
S48	D6		Diagnos Diagnostics
S105	C6	Strömställare Switch	Lastöverföring Load transfer
S107	A3		Stödaxellyft Tag axle lift
T70	C3	Tryckvakt Pressure switch	Axeltrycksbegränsare Axle load limiter
T71	C3		Lastöverföringsbegr. Load transfer limiter
T72	B3	Givare Sensor	Nivågivare framaxel Level sensor front axle
T73	B3		Nivågivare bakaxel Level sensor rear axle
V54	D3	Magnetventil Solenoid valve	Upp/Ner främre/ri axel Up/Down front/rear axle
V55	D3		Manövrering stödaxel Manoeuvring tag axle
W51	E6	Kontroll-och varningslampa Warning lamp	Nivåvarning Level warning
W52	E6		Fel Failure function
W53	E6		Lastöverföring Load transfer

\*1) Grounded for calibration. Isolator colour green. Placed under central electric unit, ground point G9

Only connected on trucks with load transfer without time limitation.

AIR SUSPENSION 6x2

1348390