

**16:04-44**

Edition 1

**Luftfjädring - manuellt styrd, 4x2**

**Air suspension, manually controlled 4x2**

**Luftfedreung - manuell gesteuert, 4x2**

**Luchtvering - handmatig geregeld, 4x2**

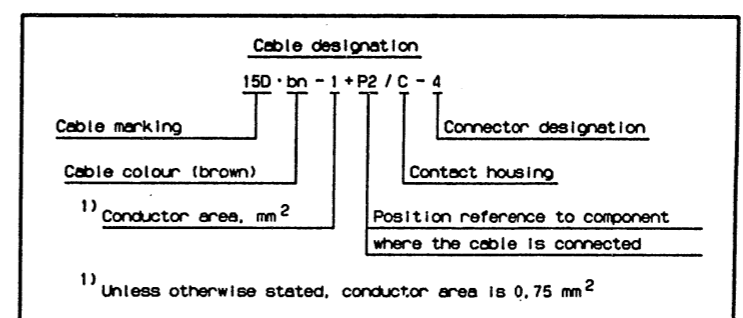
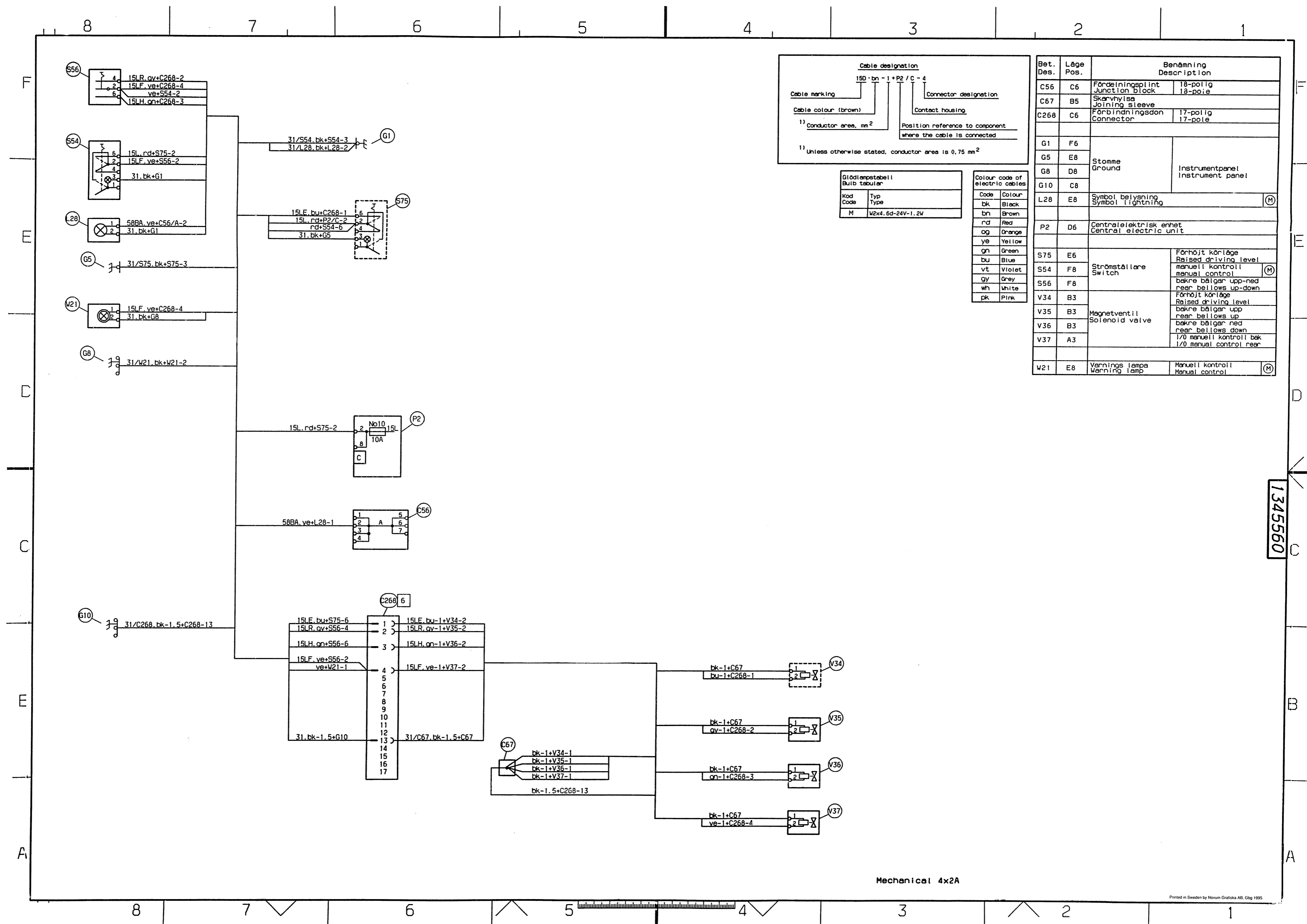
**Suspension - commande manuelle 4x2**

**Suspensión neumática - mando manual, 4x2**

**Suspensão pneumática controlada manualmente, 4x2**

**Sospensione pneumatica a comando manuale 4x2**

**Ilmajousitus - manuaalisesti ohjattu, 4x2**



**Glödlampstabell**  
Bulb tabular

Kod Code	Typ Type
M	42x4, 6d-24V-1,2W

**Colour code of electric cables**

Code	Colour
bk	Black
bn	Brown
rd	Red
og	Orange
ye	Yellow
gn	Green
bu	Blue
vt	Violet
gy	Grey
wh	White
pk	Pink

Bet. Des.	Läge Pos.	Benämning Description	
C56	C6	Fördelningsplint Junction block	18-polig 18-pole
C67	B5	Skärhylsa Joining sleeve	
C268	C6	Förbindningsdon Connector	17-polig 17-pole
G1	F6		
G5	E8	Stomme Ground	
G8	D8		Instrumentpanel Instrument panel
G10	C8		
L28	E8	Symbol belysning Symbol lightning	(M)
P2	D6	Centralelektrisk enhet Central electric unit	
S75	E6		Förhöjt körläge Raised driving level
S54	F8	Strömställare Switch	manuell kontroll manual control (M)
S56	F8		bakre bälgar upp-ned rear bellows up-down
V34	B3		Förhöjt körläge Raised driving level
V35	B3	Magnetventil Solenoid valve	bakre bälgar upp rear bellows up
V36	B3		bakre bälgar ned rear bellows down
V37	A3		1/0 manuell kontroll bak 1/0 manual control rear
W21	E8	Varnings lampa Warning lamp	Manuell kontroll Manual control (M)

1345560

Mechanical 4x2A