

SCANIA

16:04-47

Edition 2

ADR chassiisolerat system

ADR chassis isolated system

ADR-System, vom Fahrgestell isoliert

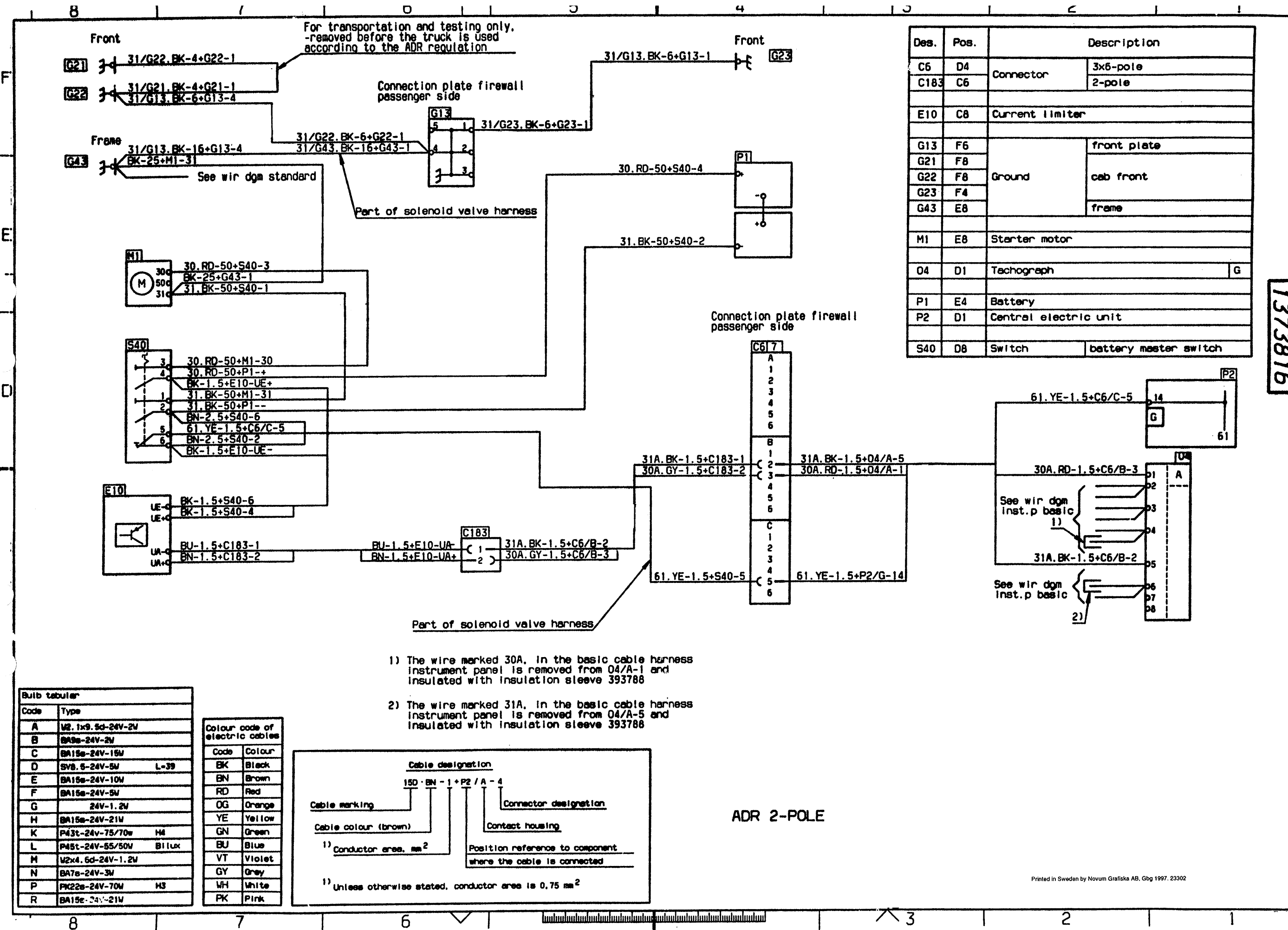
ADR, systeem met chassisisolatie

ADR, système isolé du châssis

Sistema aislado del chasis según ADR

ADR impianto isolato dall'autotelaio

ADR alustasta eristetty järjestelmä



Des.	Pos.	Description	
C6	D4	Connector	3x5-pole
C183	C6		2-pole
E10	C8	Current limiter	
G13	F6	Ground	front plate
G21	F8		cab front
G22	F8		frame
G23	F4		
G43	E8		
M1	E8	Starter motor	
O4	D1	Tachograph	
P1	E4	Battery	
P2	D1	Central electric unit	
S40	D8	Switch	battery master switch

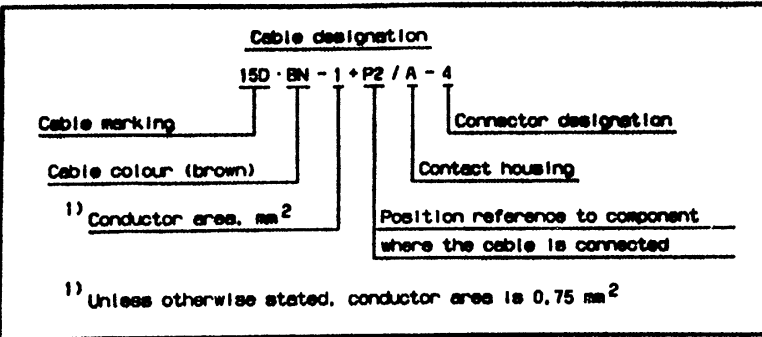
1373816

cardiagn.com

Code	Type
A	U2. 1x9.5d-24V-2V
B	BA9s-24V-2V
C	BA15s-24V-15W
D	SV8. 5-24V-5W L-39
E	BA15s-24V-10W
F	BA15s-24V-5W
G	24V-1.2V
H	BA15s-24V-21W
K	P43t-24v-75/70w H4
L	P45t-24V-55/50W B1lux
M	U2x4. 6d-24V-1.2V
N	BA7s-24V-3W
P	PK22s-24V-70W H3
R	BA15s-24V-21W

Code	Colour
BK	Black
BN	Brown
RD	Red
OG	Orange
YE	Yellow
GN	Green
BU	Blue
VT	Violet
GY	Grey
WH	White
PK	Pink

- 1) The wire marked 30A. in the basic cable harness instrument panel is removed from O4/A-1 and insulated with insulation sleeve 393788
- 2) The wire marked 31A. in the basic cable harness instrument panel is removed from O4/A-5 and insulated with insulation sleeve 393788



ADR 2-POLE