

16:04-48

Edition 1

Batterifrånskiljare, ej ADR

Battery isolator, not ADR

Batterieauptschalter, nicht ADR

Hoofschakelaar, niet ADR

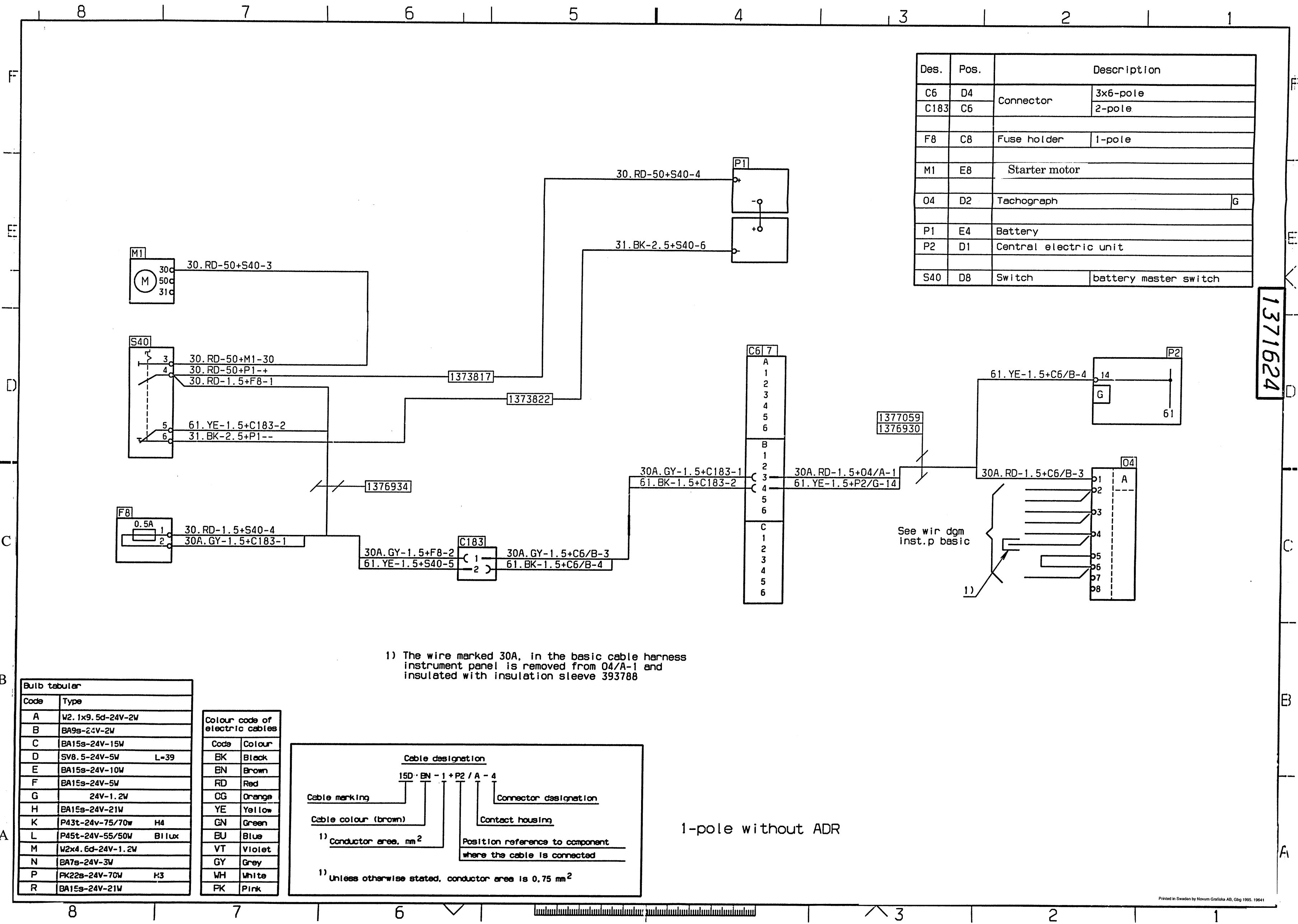
Coupe-batterie, non ADR

Interruptor de baterías, no ADR

Chave geral da bateria, sem ADR

Disgiuntore batteria, escluso ADR

Päävirtakytkin (ei ADR)

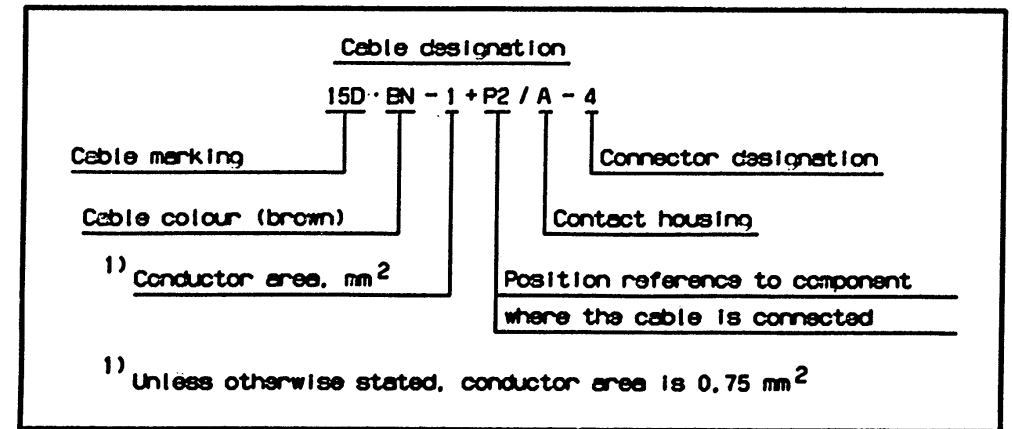


Des.	Pos.	Description	
C6	D4	Connector	3x6-pole
C183	C6		2-pole
F8	C8	Fuse holder	1-pole
M1	E8	Starter motor	
O4	D2	Tachograph	G
P1	E4	Battery	
P2	D1	Central electric unit	
S40	D8	Switch	battery master switch

1371624

Code	Type
A	W2.1x9.5d-24V-2W
B	BA9s-24V-2W
C	BA15s-24V-15W
D	SV8.5-24V-5W L-39
E	BA15s-24V-10W
F	BA15s-24V-5W
G	24V-1.2W
H	BA15s-24V-21W
K	P43t-24v-75/70w H4
L	P45t-24V-55/50W B1Lux
M	W2x4.6d-24V-1.2W
N	BA7s-24V-3W
P	PK22s-24V-70W H3
R	BA15s-24V-21W

Code	Colour
BK	Black
BN	Brown
RD	Red
CG	Orange
YE	Yellow
GN	Green
BU	Blue
VT	Violet
GY	Grey
WH	White
FK	Pink



1-pole without ADR

1) The wire marked 30A, in the basic cable harness instrument panel is removed from O4/A-1 and insulated with insulation sleeve 393788

See wir dgm inst.p basic