

**16:04-55**

Edition 1

**Flamstart**

**Flame start**

**Flammenstart**

**Vlamstart**

**Precalentador de arranque**

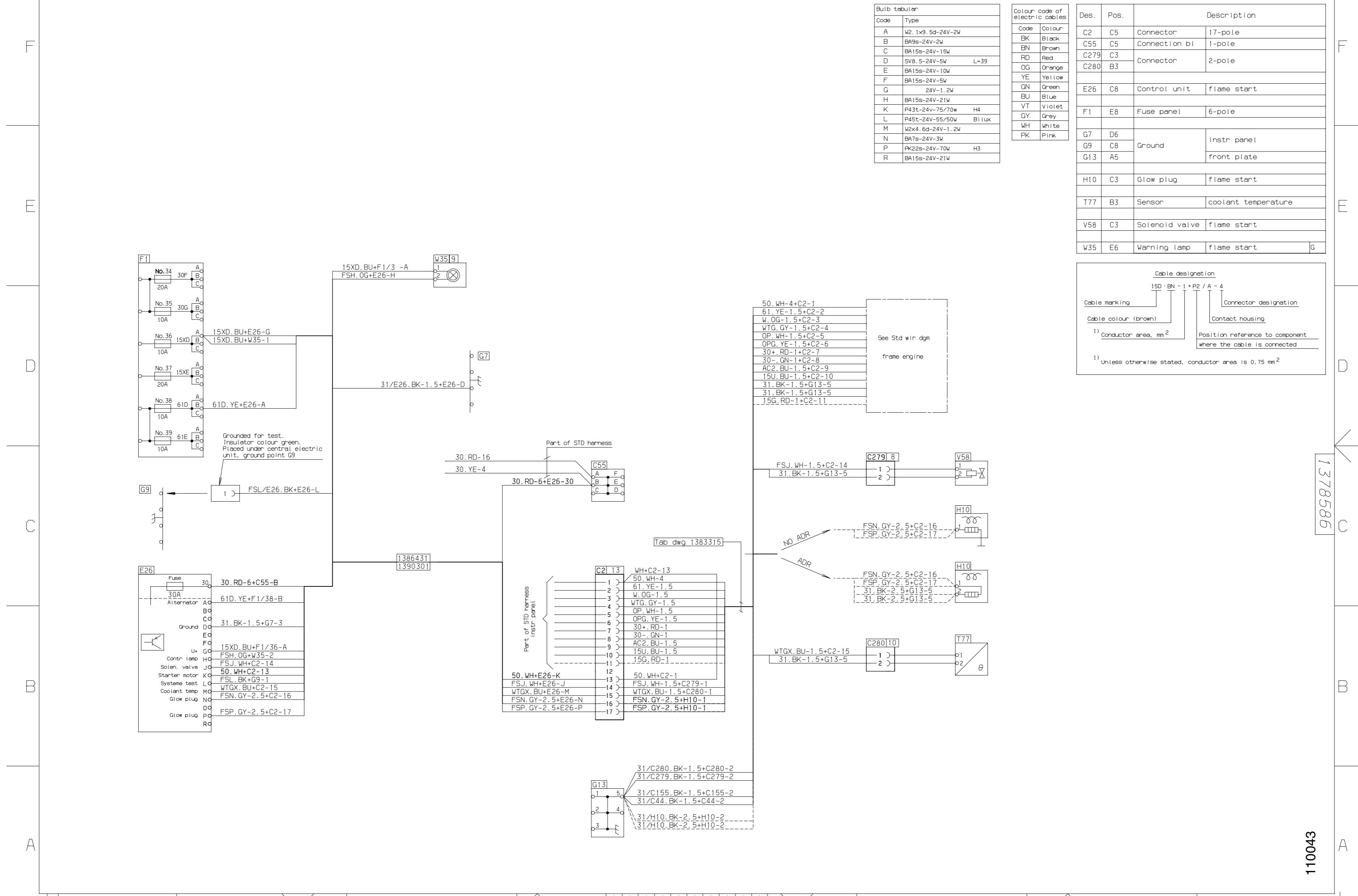
**Réchauffeur de démarrage**

**Fiamma di avviamento**

**Liekkikäynnistin**

**Aquecedor de partida (arranque)**

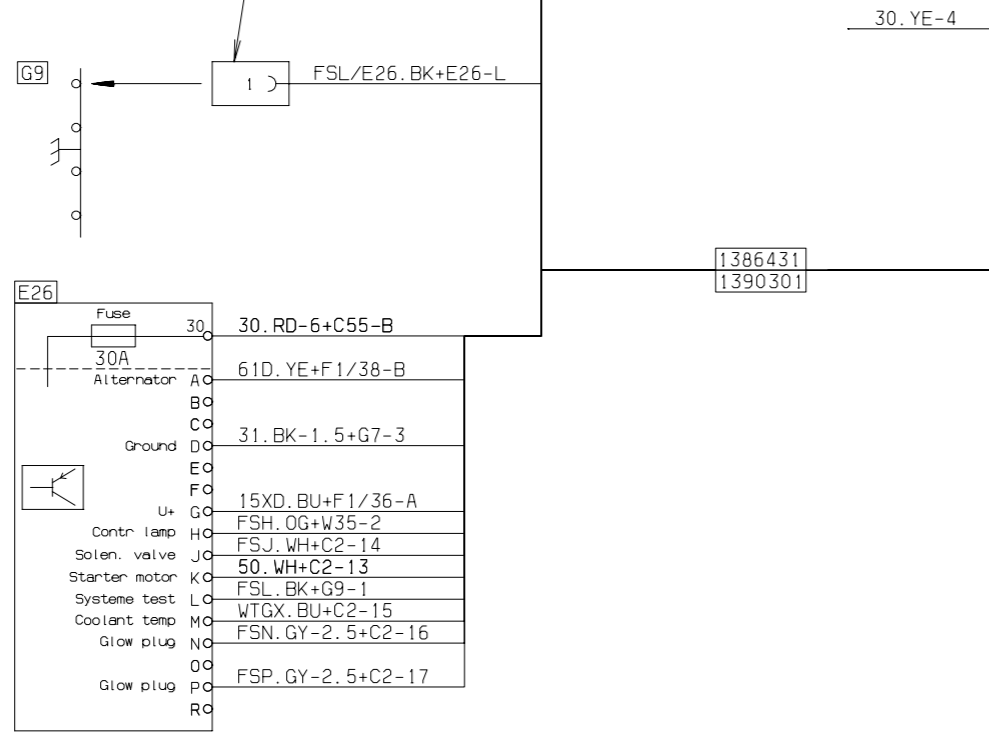
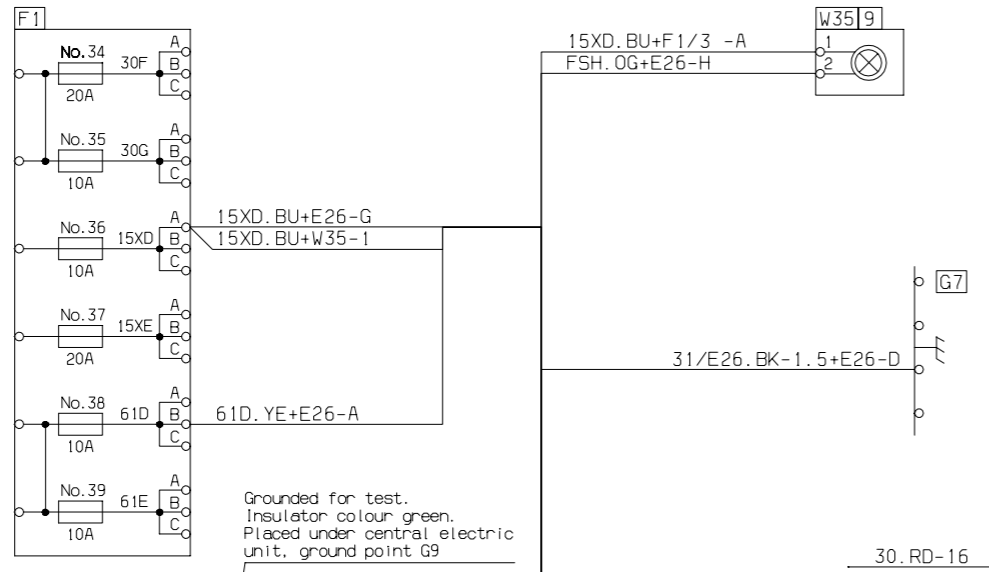
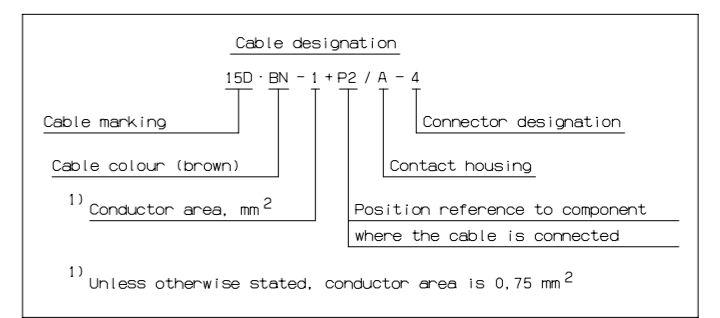
8 7 6 5 4 3 2 1



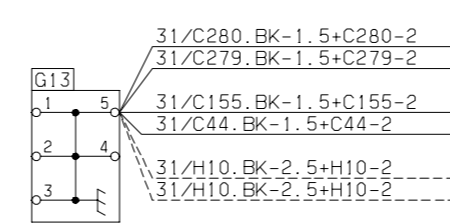
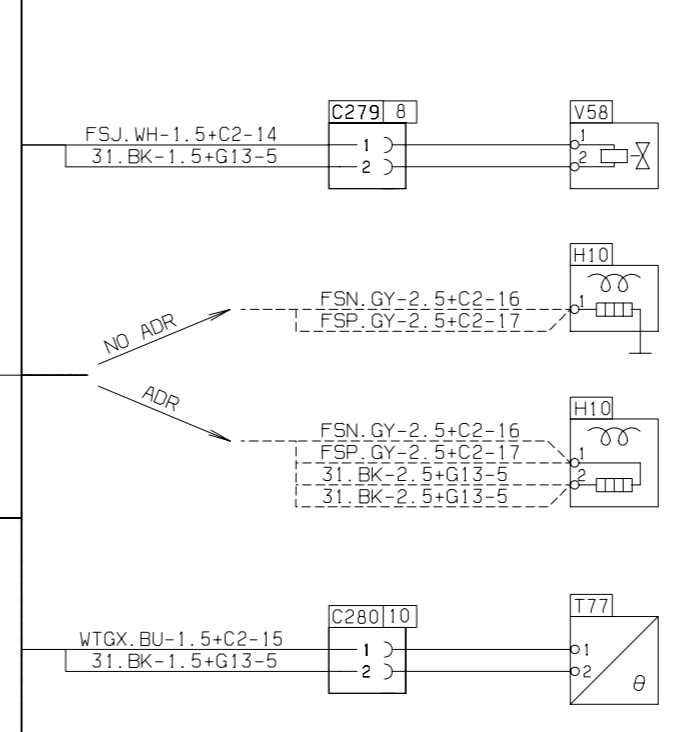
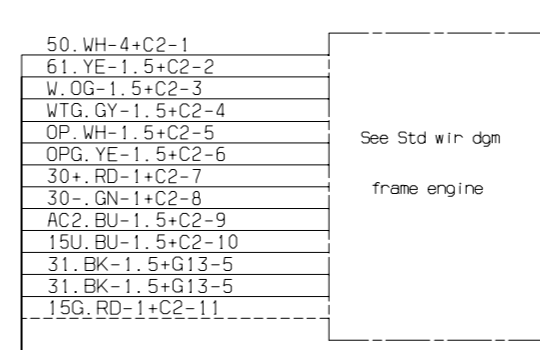
Bulb tabular	
Code	Type
A	W2.1x9.5d-24V-2W
B	BA9s-24V-2W
C	BA15s-24V-15W
D	SV8.5-24V-5W L=39
E	BA15s-24V-10W
F	BA15s-24V-5W
G	24V-1.2W
H	BA15s-24V-21W
K	P43t-24v-75/70w H4
L	P45t-24V-55/50W B11ux
M	W2x4.6d-24V-1.2W
N	BA7s-24V-3W
P	PK22s-24V-70W H3
R	BA15s-24V-21W

Colour code of electric cables	
Code	Colour
BK	Black
BN	Brown
RD	Red
OG	Orange
YE	Yellow
GN	Green
BU	Blue
VT	Violet
GY	Grey
WH	White
PK	Pink

Des.	Pos.	Description	
C2	C5	Connector	17-pole
C55	C5	Connection bl	1-pole
C279	C3	Connector	2-pole
C280	B3		
E26	C8	Control unit	flame start
F1	E8	Fuse panel	6-pole
G7	D6		
G9	C8	Ground	instr panel
G13	A5		front plate
H10	C3	Glow plug	flame start
T77	B3	Sensor	coolant temperature
V58	C3	Solenoid valve	flame start
W35	E6	Warning lamp	flame start



Part of STD harness (instr. panel)	
1	WH+C2-13
2	50.WH-4
3	61.YE-1.5
4	W. OG-1.5
5	WTG.GY-1.5
6	OP.WH-1.5
7	OPG.YE-1.5
8	30+.RD-1
9	30-.GN-1
10	AC2.BU-1.5
11	15U.BU-1.5
12	15G.RD-1
13	50.WH+E26-K
14	FSJ.WH+E26-J
15	WTGX.BU+E26-M
16	FNSN.GY-2.5+E26-N
17	FSP.GY-2.5+E26-P



1378586

110043

8 7 6 5 4 3 2 1 A1