

**16:04-58**

Edition 1

**EDC MS6.2 DC16 (Coo)**

**Enhetsinsprutare PDE**

**Unit Injector PDE**

**Pumpe-Düse-Einheit PDE**

**Eenheidsverstuivers PDE**

**Inyectores-bomba PDE**

**Unité injecteur complet PDE**

**Unità iniettori pompanti PDE**

**Pompowtryskiwacz PDE**

**Injector de unidade PDE**

**Ruiskutinyksikko PDE**

**Förbindningschema, Wiring Diagram, Verbindungsplan,  
Elektrisch schema, Diagrama eléctrico, Schéma de câblage,  
Schema elettrico, Kytentäkaavio, Schemat połączeń,  
Esquema de conexões**

8

7

6

5

4

3

2

1

F

E

D

C

B

A

F

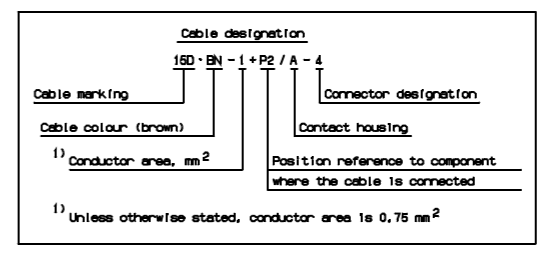
E

D

C

B

A



Code	Colour
BK	Black
BN	Brown
RD	Red
OG	Orange
YE	Yellow
GN	Green
BU	Blue
VT	Violet
GY	Grey
WH	White
PK	Pink

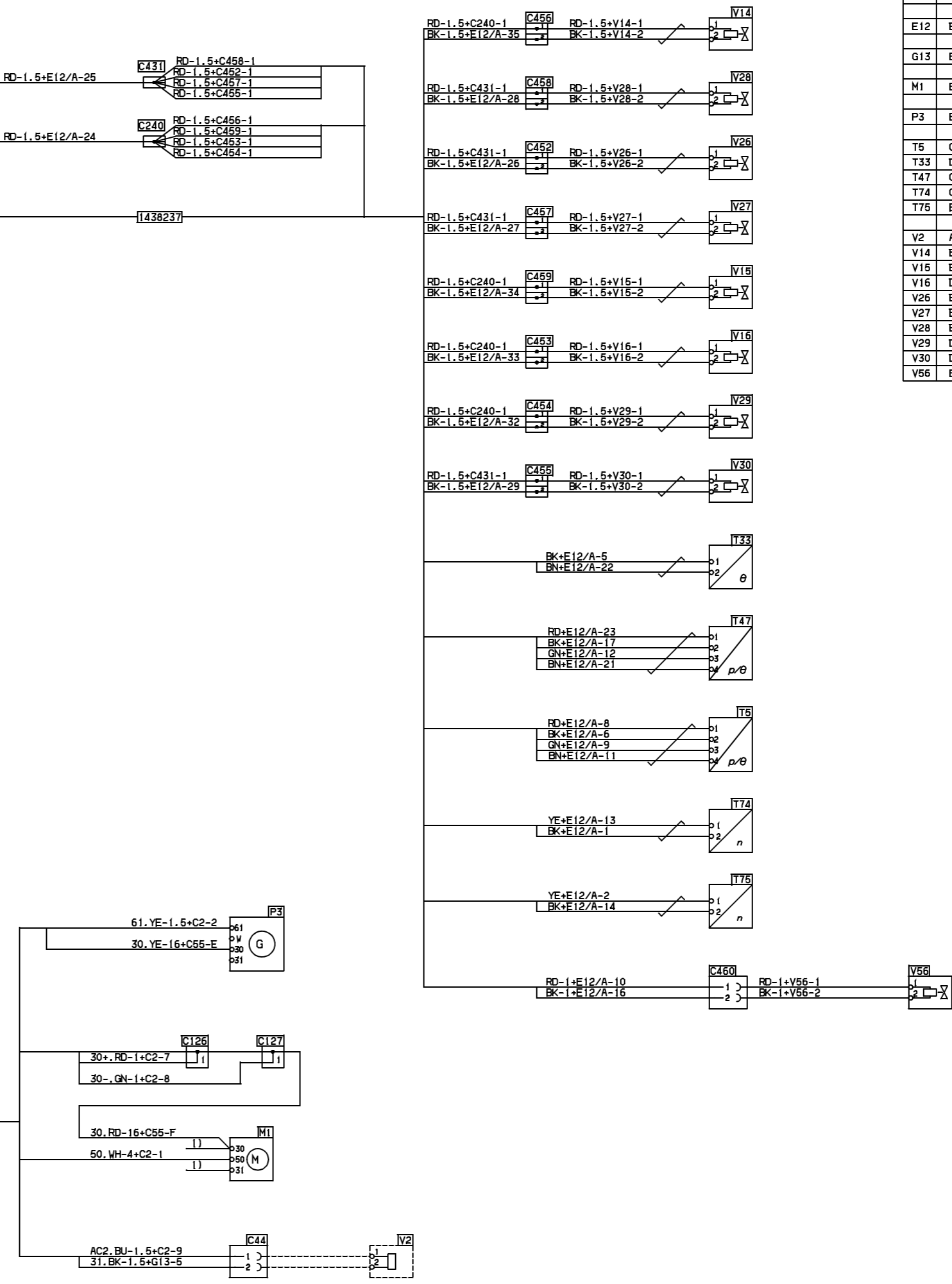
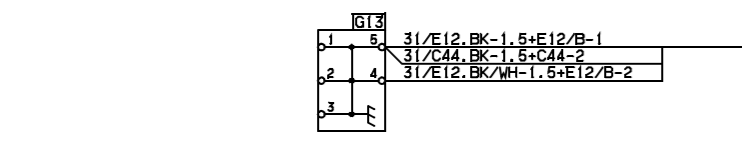
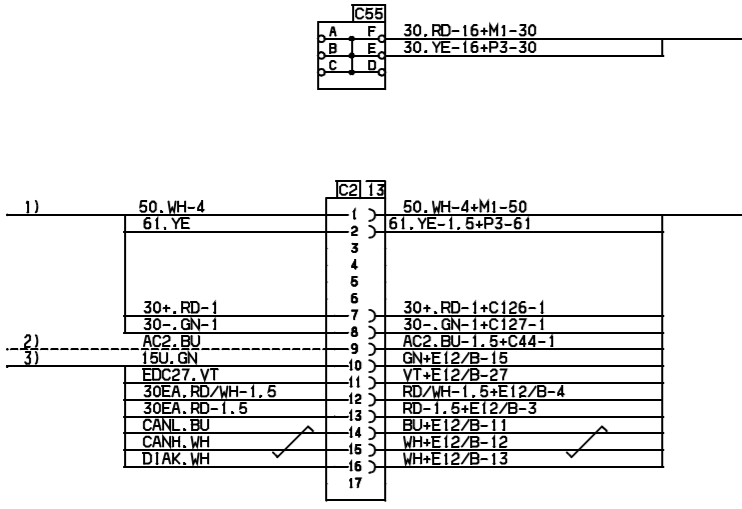
Des.	Pos.	Description
C2	C8	Connector
C44	A4	Connector
C55	C7	Connector
C126	B4	Connection bl
C127	B4	Connection bl
C240	E4	1-pole
C431	E4	1-pole
C452	E3	Joining sleeve
C453	D3	Joining sleeve
C454	D3	Joining sleeve
C455	D3	Joining sleeve
C456	E3	2-pole
C457	E3	2-pole
C458	E3	2-pole
C459	D3	2-pole
C460	B2	Connector
E12	E6	Control unit EDC
G13	B7	Ground front plate
M1	B4	Starter motor
P3	B4	Alternator
T5	C2	oil press, oil temp engine
T33	D2	coolant temperature
T47	C2	charger pressure/temp.
T74	C2	engine speed 1
T75	B2	engine speed 2
V2	A3	Magnetic clutch compressor AC
V14	E2	cylinder 1
V15	E2	cylinder 4
V16	D2	cylinder 6
V26	E2	cylinder 5
V27	E2	cylinder 2
V28	E2	cylinder 3
V29	D2	cylinder 7
V30	D2	cylinder 8
V56	B2	Proportional valve

Des.	Pos.	Description
BK+T74-2	1	18 d
YE+T75-1	2	18 d
BK+T33-1	3	18 d
BK+T5-2	4	18 d
RD+T5-1	5	18 d
GN+T5-3	6	18 d
RD+T5-4	7	18 d
BN+T5-4	8	18 d
GN+T47-3	9	18 d
YE+T74-1	10	18 d
BK+T75-2	11	18 d
BK+T47-2	12	18 d
BK+T47-2	13	18 d
BK+T47-2	14	18 d
BK+T47-2	15	18 d
BK+T47-2	16	18 d
BK+T47-2	17	18 d
BK+T47-2	18	18 d
BK+T47-2	19	18 d
BK+T47-2	20	18 d
BK+T47-2	21	18 d
BK+T47-2	22	18 d
BK+T47-2	23	18 d
BK+T47-2	24	18 d
BK+T47-2	25	18 d
BK+T47-2	26	18 d
BK+T47-2	27	18 d
BK+T47-2	28	18 d
BK+T47-2	29	18 d
BK+T47-2	30	18 d
BK+T47-2	31	18 d
BK+T47-2	32	18 d
BK+T47-2	33	18 d
BK+T47-2	34	18 d
BK+T47-2	35	18 d

cylinder 1  
cylinder 4  
cylinder 6  
cylinder 5  
cylinder 2  
cylinder 3  
cylinder 7  
cylinder 8

Des.	Pos.	Description
BK+G13-5	1	18 d
BK+WH-1,5+G13-4	2	18 d
RD-1,5+C2-13	3	18 d
RD+WH-1,5+C2-12	4	18 d
RD+WH-1,5+C2-12	5	18 d
RD+WH-1,5+C2-12	6	18 d
RD+WH-1,5+C2-12	7	18 d
RD+WH-1,5+C2-12	8	18 d
RD+WH-1,5+C2-12	9	18 d
RD+WH-1,5+C2-12	10	18 d
RD+WH-1,5+C2-12	11	18 d
RD+WH-1,5+C2-12	12	18 d
RD+WH-1,5+C2-12	13	18 d
RD+WH-1,5+C2-12	14	18 d
RD+WH-1,5+C2-12	15	18 d
RD+WH-1,5+C2-12	16	18 d
RD+WH-1,5+C2-12	17	18 d
RD+WH-1,5+C2-12	18	18 d
RD+WH-1,5+C2-12	19	18 d
RD+WH-1,5+C2-12	20	18 d
RD+WH-1,5+C2-12	21	18 d
RD+WH-1,5+C2-12	22	18 d
RD+WH-1,5+C2-12	23	18 d
RD+WH-1,5+C2-12	24	18 d
RD+WH-1,5+C2-12	25	18 d
RD+WH-1,5+C2-12	26	18 d
RD+WH-1,5+C2-12	27	18 d
RD+WH-1,5+C2-12	28	18 d
RD+WH-1,5+C2-12	29	18 d
RD+WH-1,5+C2-12	30	18 d
RD+WH-1,5+C2-12	31	18 d
RD+WH-1,5+C2-12	32	18 d
RD+WH-1,5+C2-12	33	18 d
RD+WH-1,5+C2-12	34	18 d
RD+WH-1,5+C2-12	35	18 d

VT+C2-11



1) See wiring diagram standard equipment  
2) See wiring diagram ETC+AC  
3) See wiring diagram Coordinator

1421658