

**SCANIA**

**16:14-09**

Utgåva/Issue/Ausgabe/Utgave/Edición/Edition/Edizione/Painos 1

**FMS, Satellitantenn**

**FMS, Satellite aerial**

**FMS, Satelliteantenne**

**FMS, satellietantenne**

**FMS, antena para satélite**

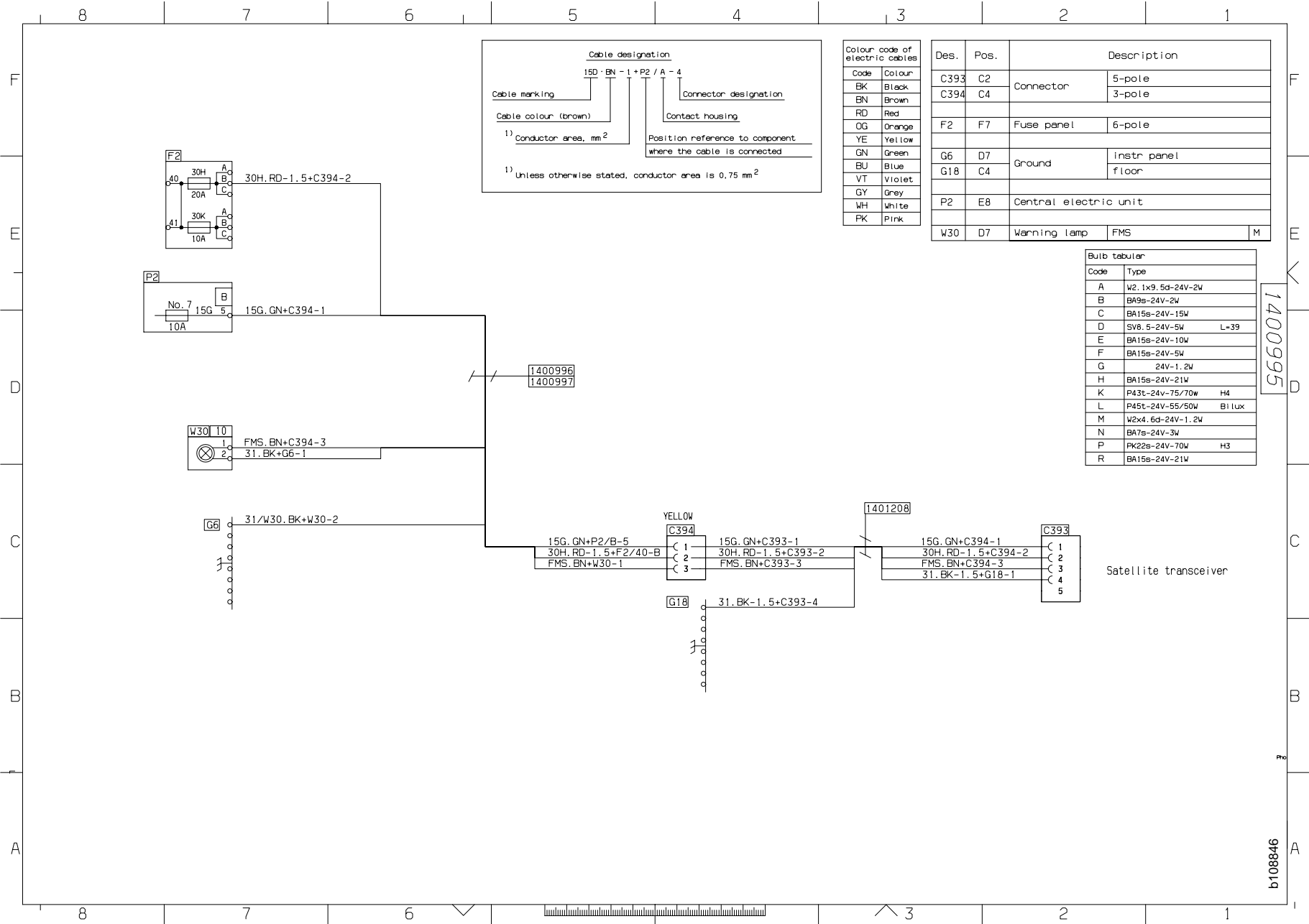
**FMS, Antenne de communication para satellite**

**FMS, antenna satellitare**

**FMS, Satelliitiantenni**

**Antena de satélite FMS**

Förbindningschema  
Wiring diagram  
Verbindungsplan  
Bedradingschema  
Diagrama de conexiones  
Schéma de réalisation  
Diagrama coessioni  
Kytkentäkaavio



**Cable designation**  
 Cable marking: 15D · BN - 1 + P2 / A - 4  
 Cable colour (brown) | Connector designation  
 1) Conductor area, mm<sup>2</sup> | Position reference to component where the cable is connected  
 1) Unless otherwise stated, conductor area is 0.75 mm<sup>2</sup>

Colour code of electric cables

Code	Colour
BK	Black
BN	Brown
RD	Red
OG	Orange
YE	Yellow
GN	Green
BU	Blue
VT	Violet
GY	Grey
WH	White
PK	Pink

Des.	Pos.	Description	
C393	C2	Connector	5-pole
C394	C4		3-pole
F2	F7	Fuse panel	6-pole
G6	D7	Ground	Instr panel
G18	C4		floor
P2	E8	Central electric unit	
W30	D7	Warning lamp	FMS M

Bulb tabular

Code	Type
A	W2. 1x9. 5d-24V-2W
B	BA9s-24V-2W
C	BA15s-24V-15W
D	5v8. 5-24V-5W L-39
E	BA15s-24V-10W
F	BA15s-24V-5W
G	24V-1. 2W
H	BA15s-24V-21W
K	P43t-24V-75/70W H4
L	P45t-24V-55/50W B1Lux
M	W2x4. 6d-24V-1. 2W
N	BA7s-24V-3W
P	PK22s-24V-70W H3
R	BA15s-24V-21W

1400995

b108846

Satellite transceiver