



16:14-11

Utgåva/Issue/Ausgabe/Utgave/Edición/Edition/Edizione/Painos 1

Recirkulationsspjäll

Recirkulation damper

Umluftklappe

Recycleklep

Mariposa de recirculación

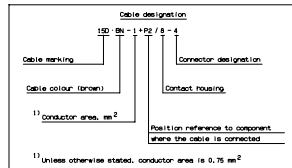
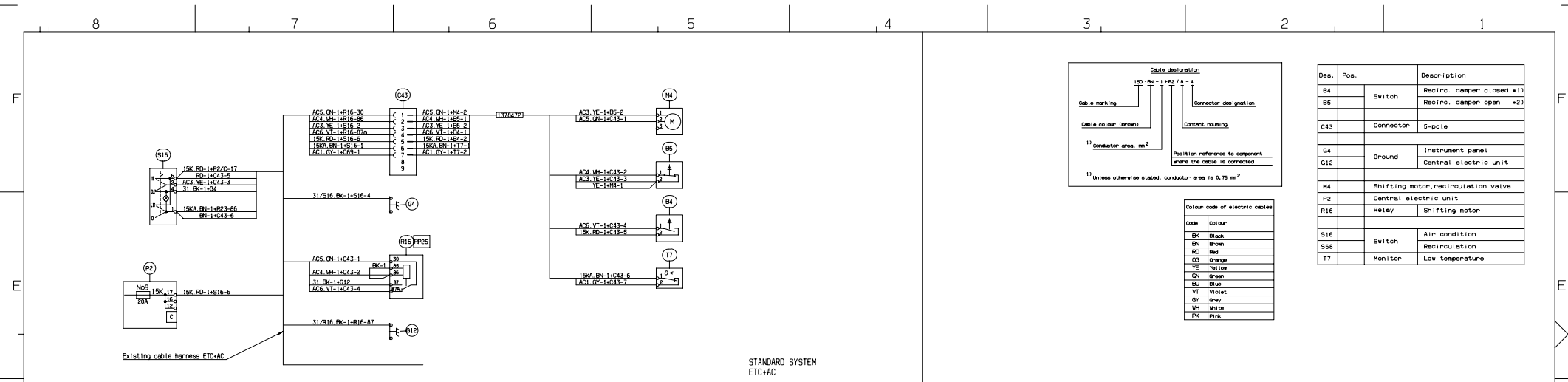
Volet de recirculation

Portellino ricircolo

Kierrätyslappä

Válvula de recirculcão

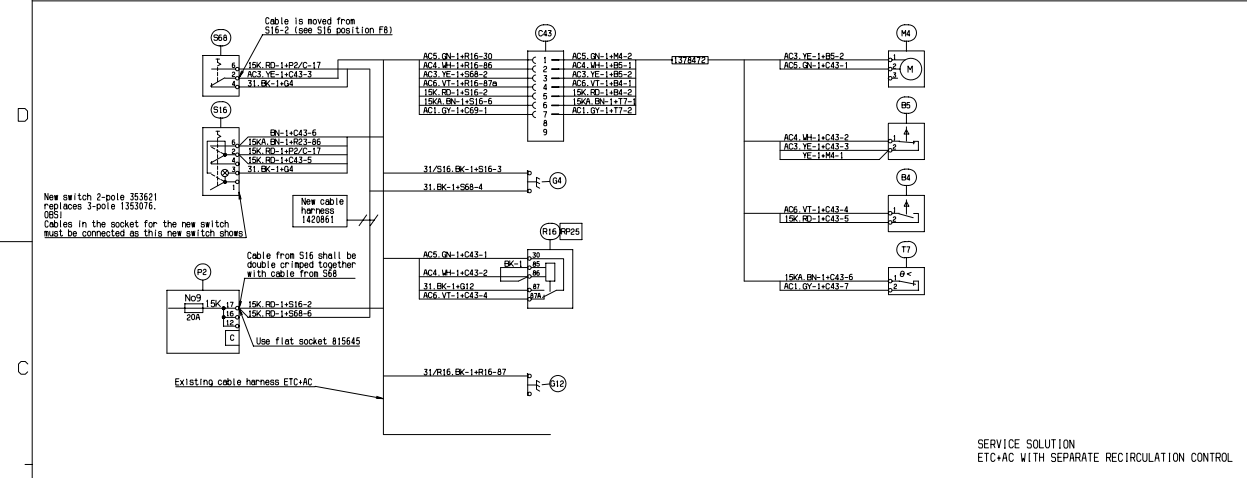
Fordon tillverkade efter 9804
Vehicles manufactured after 9804
Fahrzeug gebaut nach 9804
Na 0498 gefabriceerde voertuigen
Vehículos fabricados después de 9804
Véhicules fabriqués après 9804
Veicoli realizzati dopo il 04/98
Ennen 9804 valmistetut ajoneuvot
Veículos fabricados após 9804



Colour code of electric cables	
Code	Colour
BN	Black
BN	Brown
OD	Orange
YE	Yellow
GN	Green
BL	Blue
VT	Violet
GY	Grey
WH	White
PK	Pink

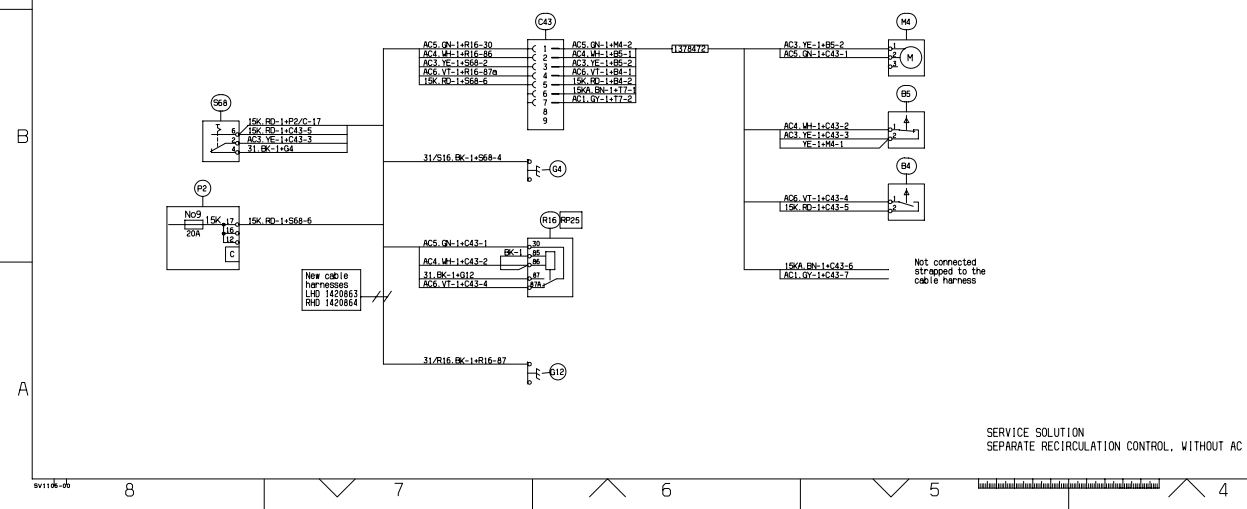
Des.	Pos.	Description
B4	Switch	Recirc. damper closed *1)
B5		Recirc. damper open *2)
C43	Connector	5-pole
G4	Ground	Instrument panel
G12		Central electric unit
M4		Shifting motor, recirculation valve
P2		Central electric unit
R16	Relay	Shifting motor
S16		Air condition
S68	Switch	Recirculation
T7	Monitor	Low temperature

STANDARD SYSTEM ETC+AC



*1) When the valve is closed, the current path in B4 is interrupted.
 *2) When the valve is open, the current path in B5 is interrupted.

SERVICE SOLUTION ETC+AC WITH SEPARATE RECIRCULATION CONTROL



SERVICE SOLUTION SEPARATE RECIRCULATION CONTROL, WITHOUT AC

Service solution

Circuit Protection also to STD 3964	
◀C>	: 0
◀M>	: 0
◀D>	: 0
◀L>	: 0

1421332

14211