

16:14-23

Edition 1

Växellåda GRSH900/R

Gearbox, GRSH900/R

Getriebe GRSH900/R

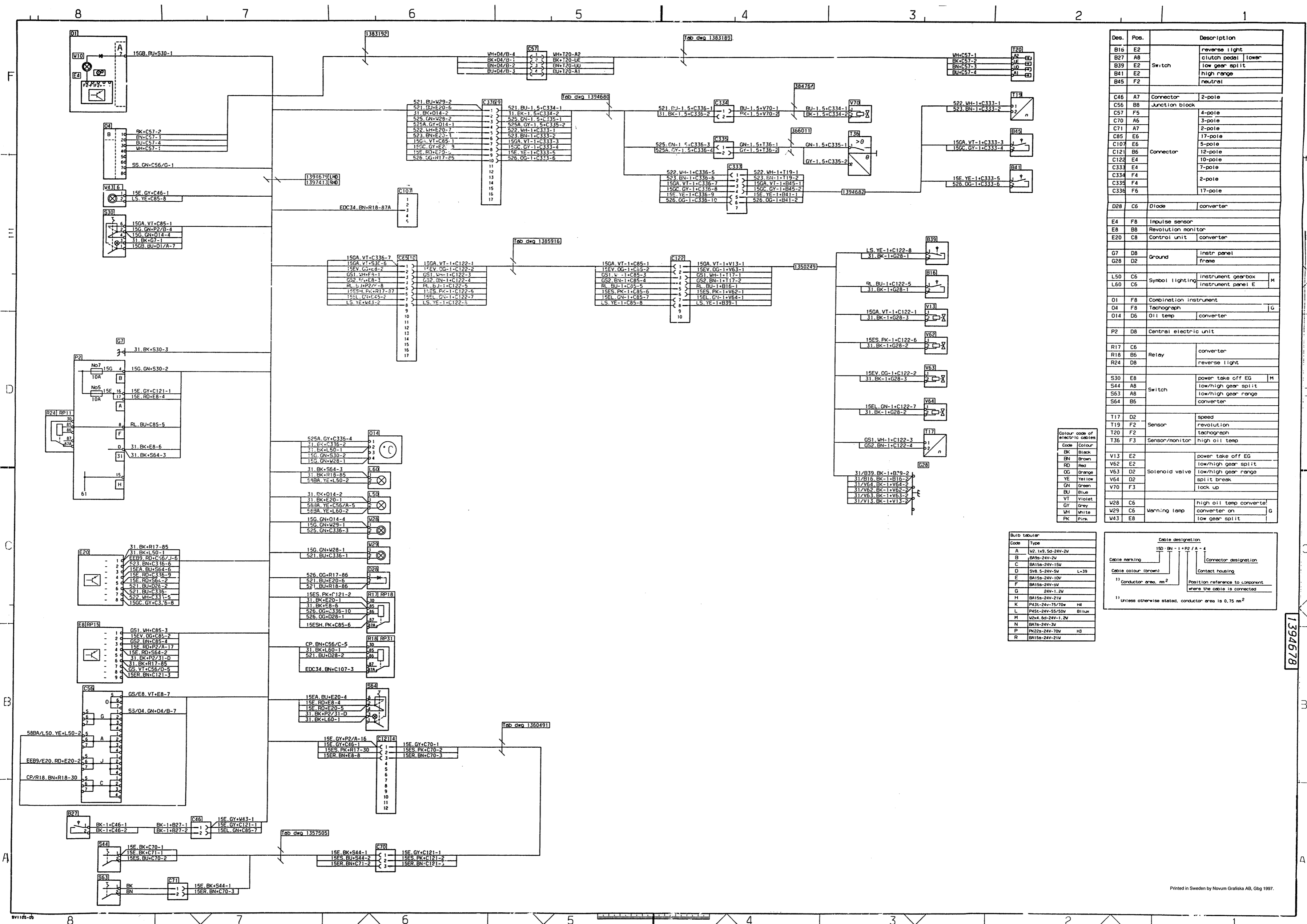
Versnellingsbak GRSH900/R

Boîte de vitesses GRSH900/R

Caja de cambios GRSH900/R

Cambio GRSH900/R

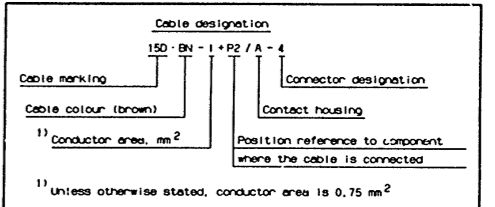
Vaihteisto GRSH900/R



Des.	Pos.	Description
B16	E2	reverse light
B27	A8	clutch pedal lower
B39	E2	low gear split
B41	E2	high range
B45	F2	neutral
C46	A7	Connector 2-pole
C56	B8	Junction block
C57	F5	4-pole
C70	A6	3-pole
C71	A7	2-pole
C85	E6	17-pole
C107	E6	5-pole
C121	B6	Connector 12-pole
C122	E4	10-pole
C333	E4	7-pole
C334	F4	2-pole
C335	F4	2-pole
C336	F6	17-pole
D28	C6	Diode converter
E4	F8	Impulse sensor
E8	B8	Revolution monitor
E20	C8	Control unit converter
G7	D8	Ground Instr panel frame
G28	D2	Ground Instr panel frame
L50	C6	Symbol lighting instrument gearbox
L60	C6	Symbol lighting instrument panel E
O1	F8	Combination instrument
O4	F8	Tachograph
O14	D6	Oil temp converter
F2	D8	Central electric unit
R17	C6	Relay converter
R18	B6	Relay reverse light
R24	D8	Relay reverse light
S30	E8	Switch power take off EG
S44	A8	Switch low/high gear split
S63	A8	Switch low/high gear range
S64	B5	Switch converter
T17	D2	Sensor speed
T19	F2	Sensor revolution
T20	F2	Sensor tachograph
T36	F3	Sensor/monitor high oil temp
V13	E2	Solenoid valve power take off EG
V62	E2	Solenoid valve low/high gear split
V63	D2	Solenoid valve low/high gear range
V64	D2	Solenoid valve split break
V70	F3	Solenoid valve lock up
W29	C6	Warning lamp high oil temp converter on
W43	E8	Warning lamp converter on low gear split

Code	Colour
BK	Black
BN	Brown
RD	Red
OG	Orange
YE	Yellow
GN	Green
BU	Blue
VT	Violet
GY	Grey
PK	Pink

Build section	Code	Type
A	02	1x3,50-24V-2V
B	08	24V-24V-2V
C	08	24V-24V-15V
D	08	5V8,5-24V-3V L-139
E	08	24V-24V-10V
F	08	24V-24V-2V
G	08	24V-1-2V
H	08	24V-24V-21V
K	08	24V-24V-75/70V
L	08	24V-24V-55/50V
M	08	24V-60-24V-1,2V
N	08	24V-24V-3V
P	08	24V-24V-70V
R	08	24V-24V-21V



1394678

cardiagn.com