

16:14-43

Edition 1

ELC

Luftfjädring - elektroniskt styrd

Air suspension, electronically controlled

Luftfederung - elektronisch gesteuert

Luchtvering - elektronisch gestuurd

Suspension - commande électronique

Suspensión neumática - mando electrónico

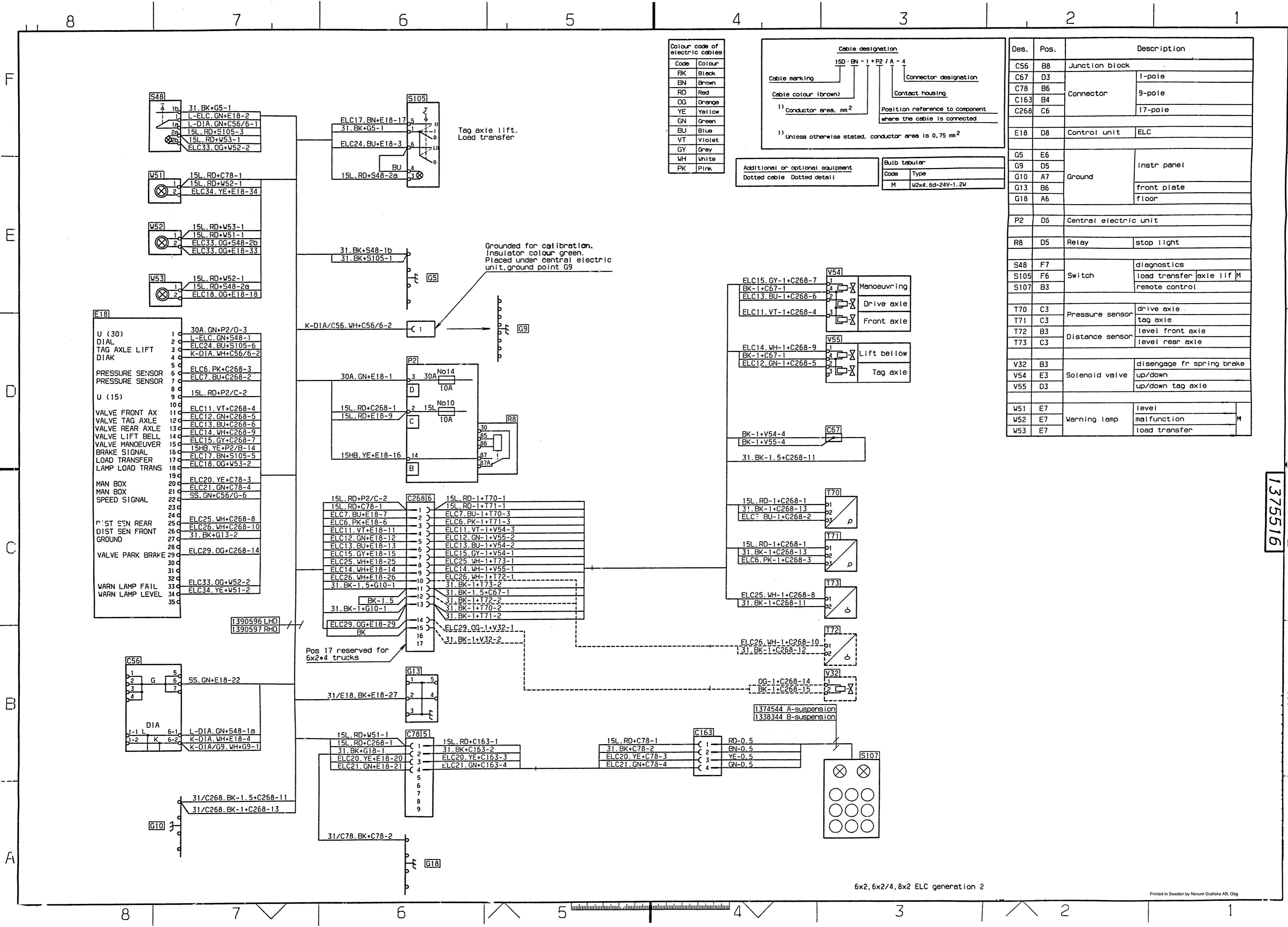
Suspensão pneumática controlada eletronicamente

Sospensione pneumatica a comando elettronico

Ilmajousitus - elektronisesti ohjattu

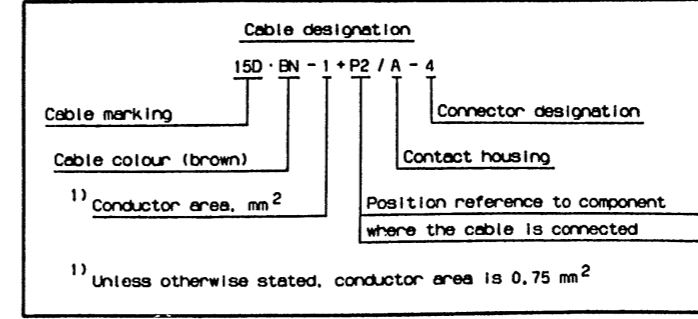
6x2, 6x2/4, 8x2

From chassis No. 1 207 526



Colour code of electric cables

Code	Colour
BK	Black
BN	Brown
RD	Red
OG	Orange
YE	Yellow
GN	Green
BU	Blue
VT	Violet
GY	Grey
WH	White
PK	Pink



Additional or optional equipment

Dotted cable	Dotted detail
--------------	---------------

Bulb tabular

Code	Type
M	W2x4.6d-24V-1.2W

Des.	Pos.	Description	
C56	B8	Junction block	
C67	D3	1-pole	
C78	B6	Connector	
C163	B4		9-pole
C268	C6	17-pole	
E18	D8	Control unit ELC	
G5	E6	Ground	
G9	D5		Instr panel
G10	A7		front plate
G18	A6		floor
P2	D5	Central electric unit	
R8	D5	Relay stop light	
S48	F7	diagnostics	
S105	F6	Switch load transfer axle lift	
S107	B3	remote control	
T70	C3	Pressure sensor drive axle	
T71	C3	Pressure sensor tag axle	
T72	B3	Distance sensor level front axle	
T73	C3	Distance sensor level rear axle	
V32	B3	Solenoid valve disengage fr spring brake	
V54	E3	Solenoid valve up/down tag axle	
V55	D3	Solenoid valve up/down tag axle	
W51	E7	Warning lamp level	
W52	E7	Warning lamp malfunction	
W53	E7	Warning lamp load transfer	

U (30)

1	30A.GN+P2/D-3
2	L-ELC.GN+S48-1
3	ELC24.BU+S105-6
4	K-DIA.WH+C56/6-2
5	ELC6.PK+C268-3
6	ELC7.BU+C268-2
7	15L.RD+P2/C-2
8	ELC11.VT+C268-4
9	ELC12.GN+C268-5
10	ELC13.BU+C268-6
11	ELC14.WH+C268-9
12	ELC15.GY+C268-7
13	15HB.YE+P2/B-14
14	ELC17.BN+S105-5
15	ELC18.OG+W53-2
16	ELC20.YE+C78-3
17	ELC21.GN+C78-4
18	SS.GN+C56/G-6
19	ELC25.WH+C268-8
20	ELC26.WH+C268-10
21	31.BK+G13-2
22	ELC29.OG+C268-14
23	ELC33.OG+W52-2
24	ELC34.YE+W51-2

U (15)

1	ELC11.VT+C268-4
2	ELC12.GN+C268-5
3	ELC13.BU+C268-6
4	ELC14.WH+C268-9
5	ELC15.GY+C268-7
6	15HB.YE+P2/B-14
7	ELC17.BN+S105-5
8	ELC18.OG+W53-2
9	ELC20.YE+C78-3
10	ELC21.GN+C78-4
11	SS.GN+C56/G-6
12	ELC25.WH+C268-8
13	ELC26.WH+C268-10
14	31.BK+G13-2
15	ELC29.OG+C268-14
16	ELC33.OG+W52-2
17	ELC34.YE+W51-2

MAN BOX

1	ELC20.YE+C78-3
2	ELC21.GN+C78-4
3	SS.GN+C56/G-6

VALVE FRONT AX

1	ELC11.VT+C268-4
---	-----------------

VALVE TAG AXLE

1	ELC12.GN+C268-5
---	-----------------

VALVE REAR AXLE

1	ELC13.BU+C268-6
---	-----------------

VALVE LIFT BELL

1	ELC14.WH+C268-9
---	-----------------

VALVE MANOEUVER

1	ELC15.GY+C268-7
---	-----------------

BRAKE SIGNAL

1	15HB.YE+P2/B-14
---	-----------------

LOAD TRANSFER

1	ELC17.BN+S105-5
---	-----------------

LAMP LOAD TRANS

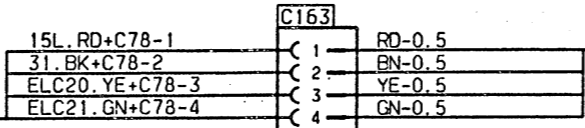
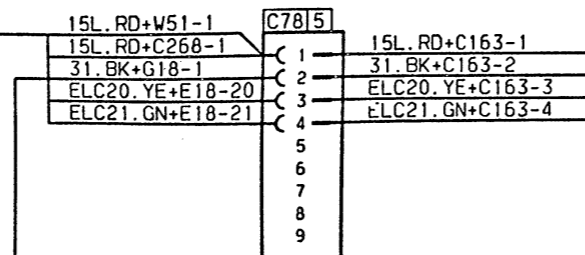
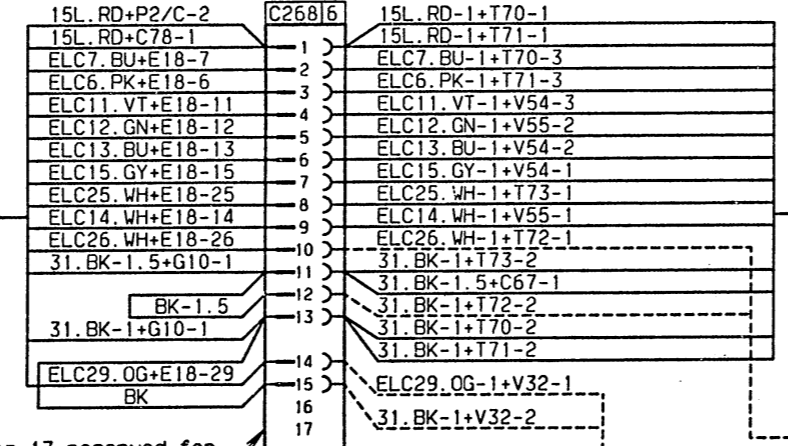
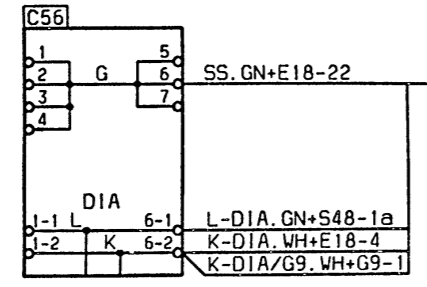
1	ELC18.OG+W53-2
---	----------------

WARN LAMP FAIL

1	ELC33.OG+W52-2
---	----------------

WARN LAMP LEVEL

1	ELC34.YE+W51-2
---	----------------



6x2, 6x2/4, 8x2 ELC generation 2

Printed in Sweden by Novum Grafiska AB, Gbg

1375516