

Batterifrånskiljare, 1-polig ADR

Battery master switch, single-pole ADR

Batteriehaupschalter, 1-polig ADR

**Scheidingsschakelaar voor de accu, 1-polig
ADR**

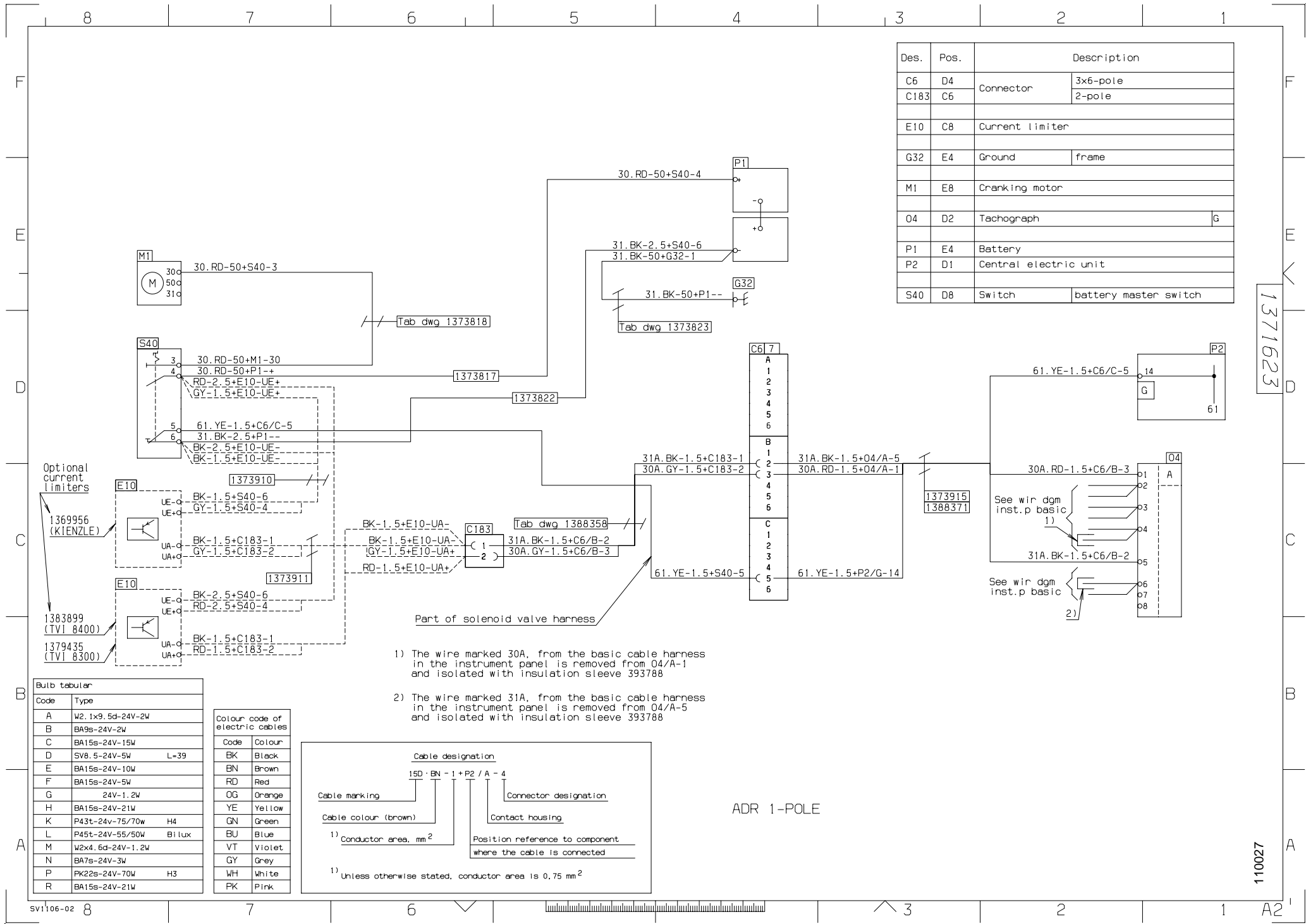
Interruptor de baterías, ADR monopolo

Robinet de batterie, unipolaire ADR

Interruttore batterie, ADR monopolare

Akun eristyskatkaisin, 1-napainen ADR

**Interruptor (*seccionador*) de bateria, unipolar
ADR**



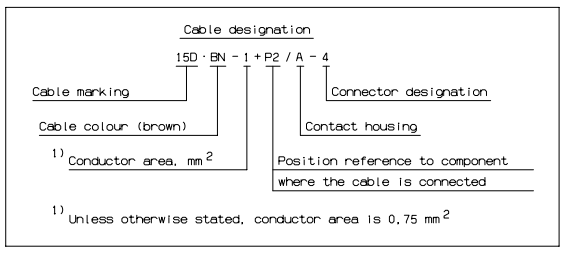
Des.	Pos.	Description	
C6	D4	Connector	3x6-pole
C183	C6		2-pole
E10	C8	Current limiter	
G32	E4	Ground	frame
M1	E8	Cranking motor	
04	D2	Tachograph	G
P1	E4	Battery	
P2	D1	Central electric unit	
S40	D8	Switch	battery master switch

Optional current limiters

- 1369956 (KIENZLE)
- 1383899 (TVI 8400)
- 1379435 (TVI 8300)

Bulb tabular	
Code	Type
A	W2.1x9.5d-24V-2W
B	BA9s-24V-2W
C	BA15s-24V-15W
D	SV8.5-24V-5W L=39
E	BA15s-24V-10W
F	BA15s-24V-5W
G	24V-1.2W
H	BA15s-24V-21W
K	P43t-24V-75/70W H4
L	P45t-24V-55/50W Bilux
M	W2x4.6d-24V-1.2W
N	BA7s-24V-3W
P	PK22s-24V-70W H3
R	BA15s-24V-21W

Colour code of electric cables	
Code	Colour
BK	Black
BN	Brown
RD	Red
OG	Orange
YE	Yellow
GN	Green
BU	Blue
VT	Violet
GY	Grey
WH	White
PK	Pink



- 1) The wire marked 30A, from the basic cable harness in the instrument panel is removed from 04/A-1 and isolated with insulation sleeve 393788
- 2) The wire marked 31A, from the basic cable harness in the instrument panel is removed from 04/A-5 and isolated with insulation sleeve 393788

ADR 1-POLE

1371623

110027