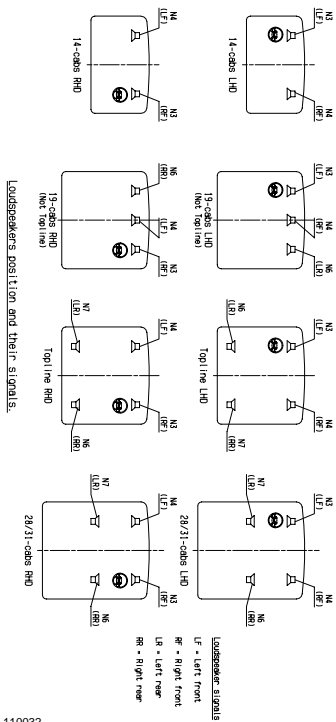




16:24-09

Utgåva/Issue/Ausgabe/Uitgave/Edición/Édition/Edizione/Painos 1



AM/FM-radio

AM/FM Radio

AM/FM-Radio

AM/FM-radio

Radio AM/FM

Radio AM/FM

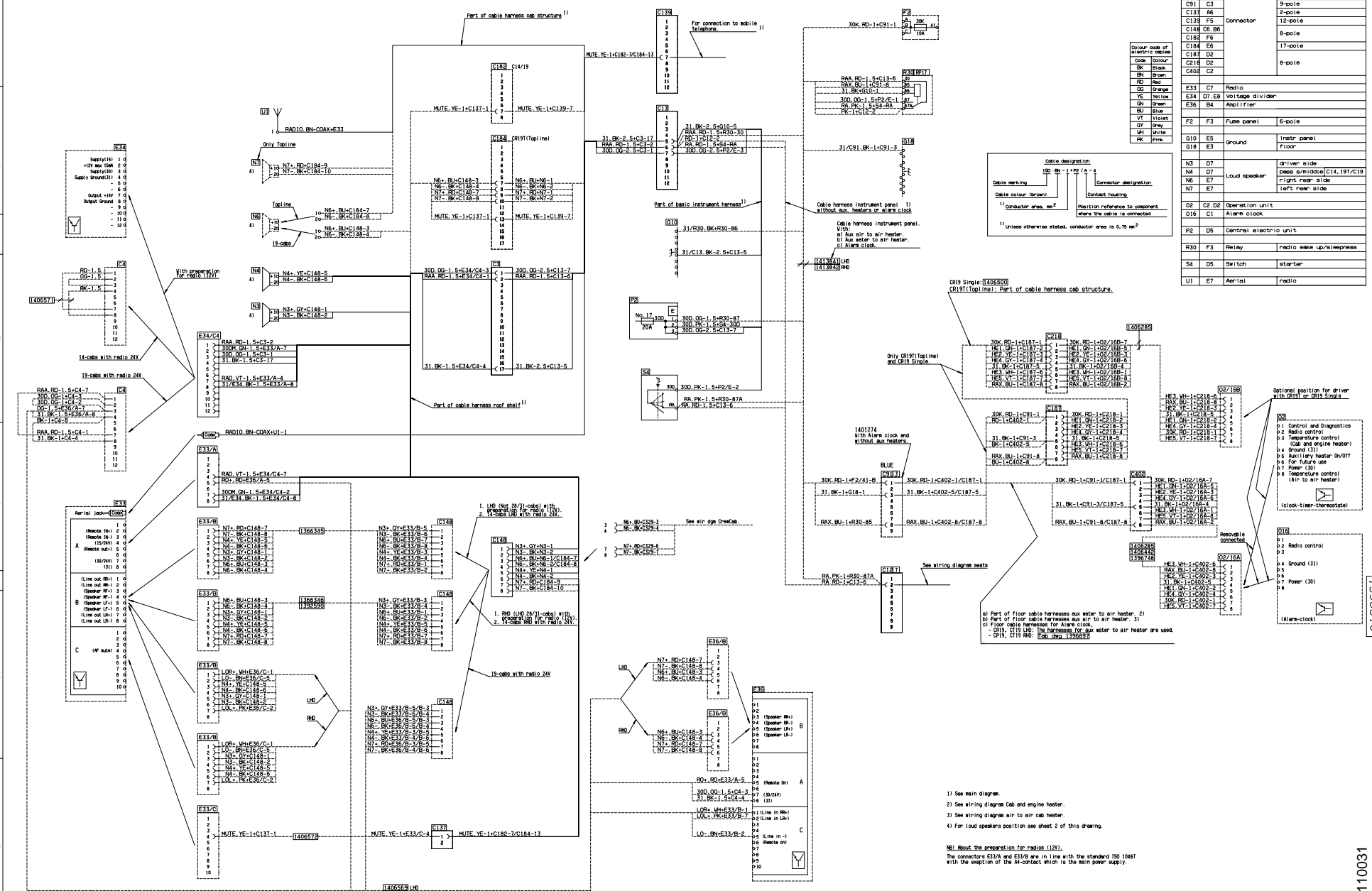
Radio AM/FM

AM/FM-radio

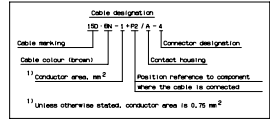
Rádio AM/FM

Fordon tillverkade efter 9704
 Vehicles manufactured after 9704
 Fahrzeug gebaut nach 9704
 Na 0497 gefabriceerde voertuigen
 Vehículos fabricados después de 9704
 Véhicules fabriqués après 9704
 Veicoli realizzati dopo il 04/97
 9704 jälkeen valmistetut ajoneuvot
 Veículos fabricados após 9704

F
E
D
C
B
A



Des.	Pos.	Description
C3	D6	17-pole
C4	D8	12-pole
C12	C3	9-pole
C13	E5	12-pole
C91	C3	9-pole
C131	A6	2-pole
C139	F5	12-pole
C148	C6, B6	8-pole
C162	F6	17-pole
C164	E6	8-pole
C167	D2	17-pole
C218	D2	8-pole
C402	C2	
E33	C7	Radio
E34	D7, E8	Voltage divider
E36	B4	Amplifier
F2	F3	Fuse panel
G10	E5	Ground
G18	E3	Floor
N3	D7	driver side
N4	D7	pass. side
N6	E7	right near side
N7	E7	left near side
O2	D2, D2	Operation unit
O18	C1	Alarm clock
P2	D5	Central electric unit
R30	F3	Relay
S4	D5	Switch
U1	E7	Aerial



019 Single
 C191(Topline): Part of cable harness cab structure.

Only C191(Topline) and C191 Single.

1401274
 With Alarm clock and without air heaters.

See wiring diagram heater

See wiring diagram heater

a) Part of floor cable harnesses aux heater; 2) Part of floor cable harnesses aux air to air heater; 3) Floor cable harnesses for Alarm clock; 4) C191, C191 LHD; The harnesses for aux heater to air heater are used.

- 1) See main diagram.
- 2) See wiring diagram Cab and engine heater.
- 3) See wiring diagram air to air heater.
- 4) For loud speakers position see sheet 2 of this drawing.

NE! Read the reservation for position 11211!
 The connectors E33/A and E33/B are in line with the standard ISO 14947 with the exception of the M-contact which is the main power supply.