

**16:24-10**

Edition 1

**AM/FM-radio, 12V**

**AM/FM Radio, 12V**

**AM/FM-Radio, 12V**

**AM/FM-radio, 12V**

**Radio AM/FM, 12V**

**Radio AM/FM, 12V**

**Rádio AM/FM, 12V**

**Radio AM/FM, 12V**

**AM/FM-radio, 12V**

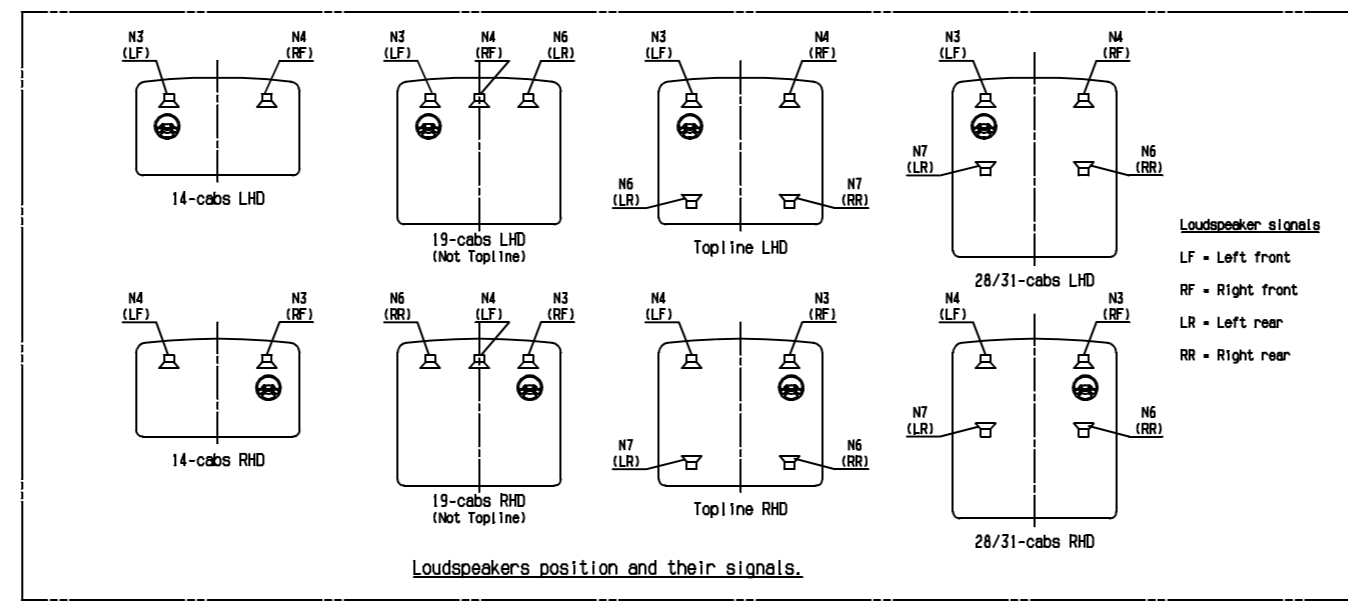
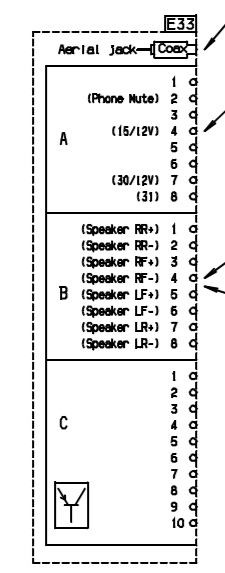
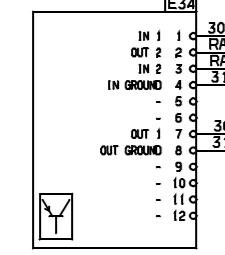
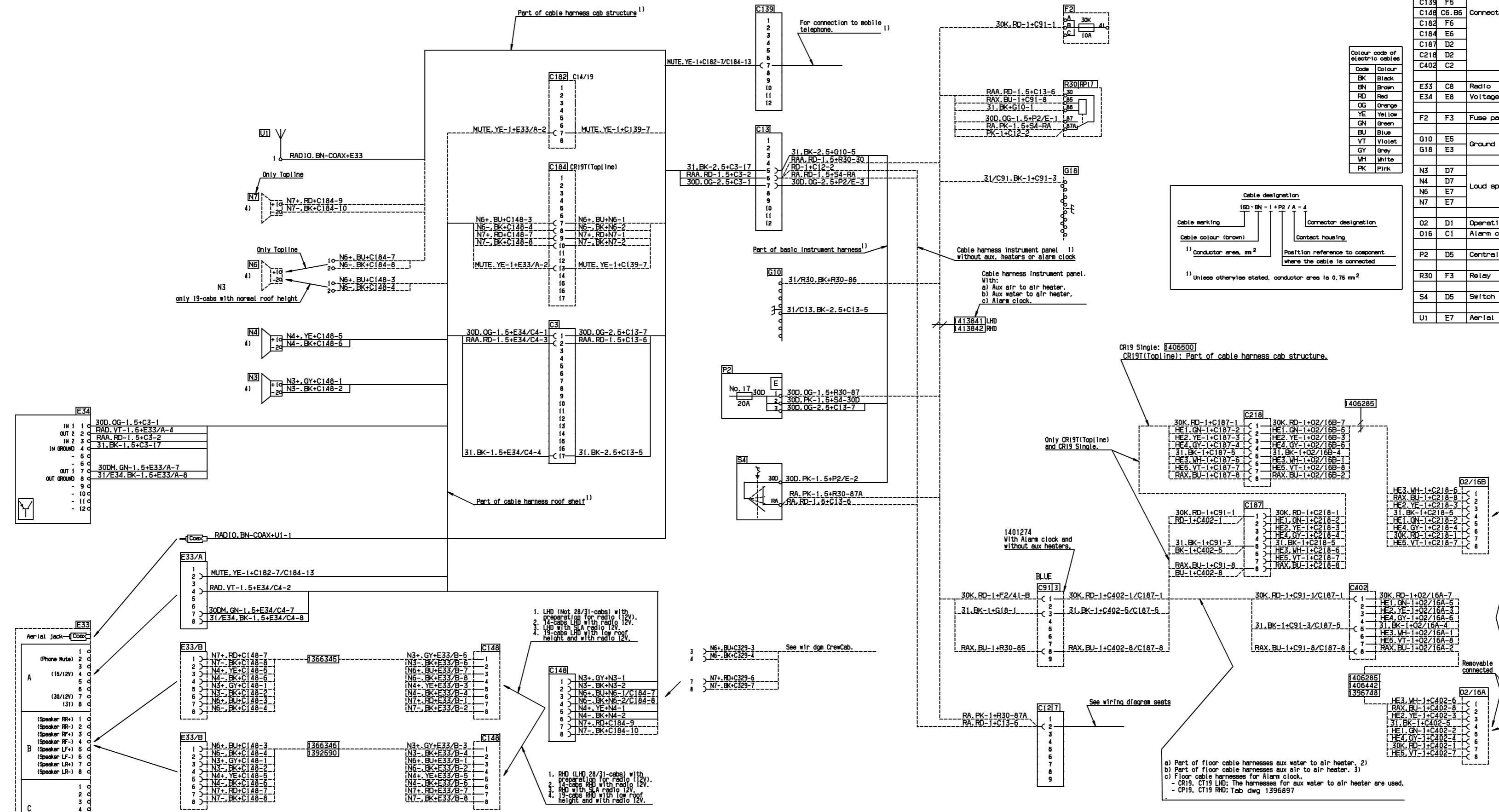
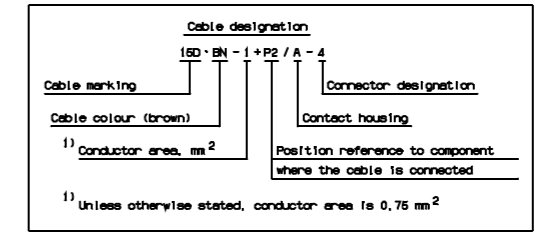
**AM/FM radio, 12V**

Fordon tillverkade efter 0002  
Vehicles manufactured after 0002  
Fahrzeug gebaut nach 0002  
Na 0200 gefabriceerde voertuigen  
Véhicules fabriqués après 0002  
Vehículos fabricados después de 0002  
Veículos fabricados após 0002  
Veicoli realizzati dopo il 02/00  
0002 jälkeen valmistetut ajoneuvot  
Pojazdy produkowane po 0002

**SSS, SNL, SAN**

| Des. | Pos.   | Description           |
|------|--------|-----------------------|
| C3   | D6     | 17-pole               |
| C12  | C3     | 9-pole                |
| C13  | E5     | 12-pole               |
| C91  | C3     | 9-pole                |
| C139 | F5     | 12-pole               |
| C148 | C5, B6 | Connector             |
| C182 | F6     | 8-pole                |
| C184 | E5     | 17-pole               |
| C187 | D2     | 8-pole                |
| C214 | D2     | 8-pole                |
| C402 | C2     | 8-pole                |
| E33  | C8     | Radio                 |
| E34  | E8     | Voltage divider       |
| F2   | F3     | Fuse panel            |
| G10  | E6     | Instr panel           |
| G18  | E3     | Ground floor          |
| N3   | D7     | driver side           |
| N4   | D7     | pass s/middle         |
| N6   | E7     | Loud speaker          |
| N7   | E7     | right rear side       |
|      |        | left rear side        |
| O2   | D1     | Operation unit        |
| O16  | C1     | Alarm clock           |
| P2   | D5     | Central electric unit |
| R30  | F3     | Relay                 |
| S4   | D5     | Switch                |
| U1   | E7     | Aerial                |
|      |        | radio                 |

| Code | Colour |
|------|--------|
| BK   | Black  |
| BN   | Brown  |
| RD   | Red    |
| OG   | Orange |
| YE   | Yellow |
| GN   | Green  |
| BU   | Blue   |
| VT   | Violet |
| GY   | Grey   |
| WH   | White  |
| PK   | Pink   |



- 1) See main diagram.
- 2) See wiring diagram Cab and engine heater.
- 3) See wiring diagram air to air cab heater.
- 4) For loud speakers position see sheet 2 of this drawing.

1442358