

SCANIA

16:24-47

Edition 1

Färddator, FMS

Trip computer, FMS

Bordcomputer, FMS

Tripcomputer, FMS

Ordinateur de bord, FMS

Ordenador de a bordo, FMS

Computer di bordo, FMS

Ajotietokone, FMS

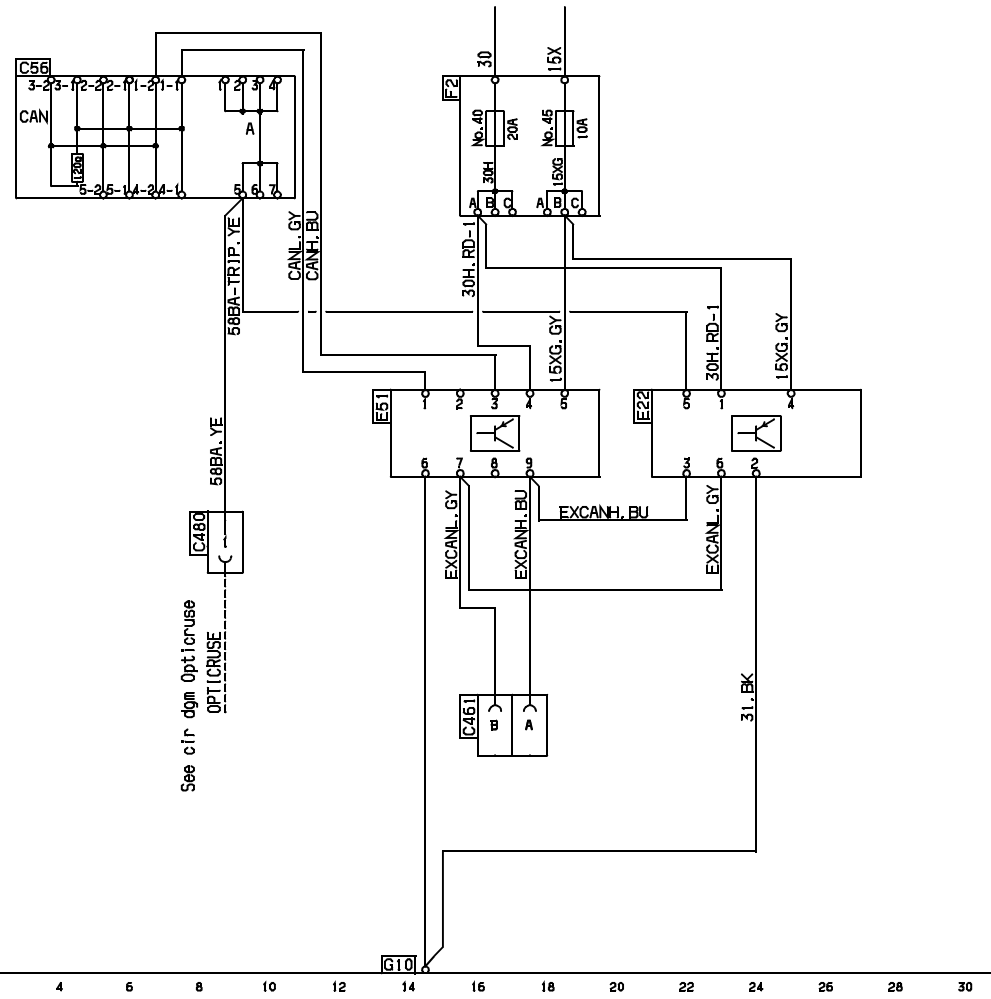
Komputer pokładowy, FMS

Computador de bordo, FMS

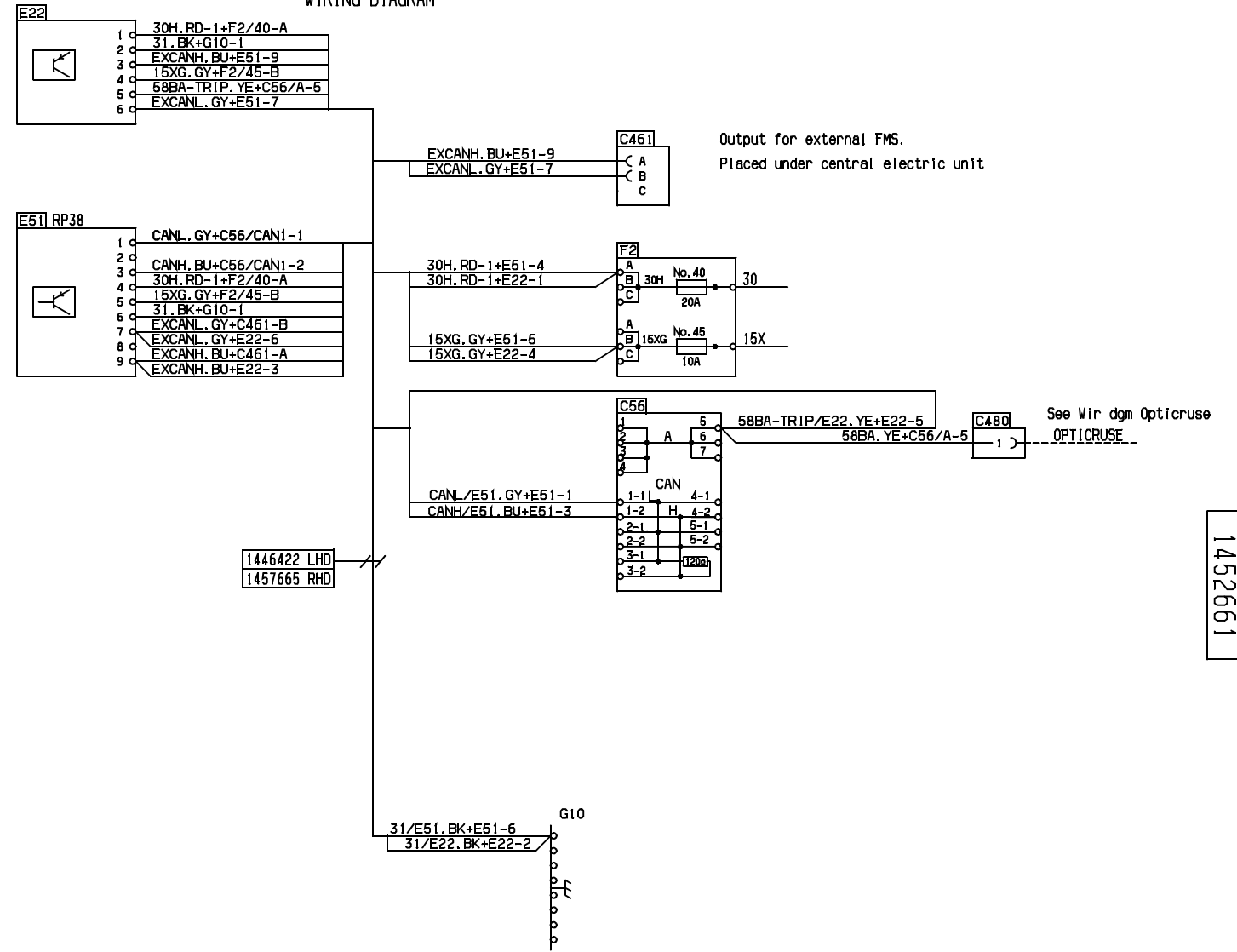
**Kretsschema/Förbindningschema, Circuit diagram/Wiring diagram,
Schaltplan/Verbindungsplan, Circuitschema/Elektrisch schema,
Schéma de circuit/Schéma de câblage, Diagrama de circuitos/Dia-
grama eléctrico, Schema circuito/Schema elettrico, Piirikaavio/Kytken-
täkaavio, Schemat obwodu/schemat połączeń, Esquema de circuitos/
Esquema de conexões**

Des.	Path	Description	
C56	3	Junction block	
C461	16	Connector	3-pole
C480	8		1-pole
E22	21	Trip computer	
E51	13	Control unit	
F2	15	Fuse panel	6-pole
G10	14	Ground	Instr panel

CIRCUIT DIAGRAM

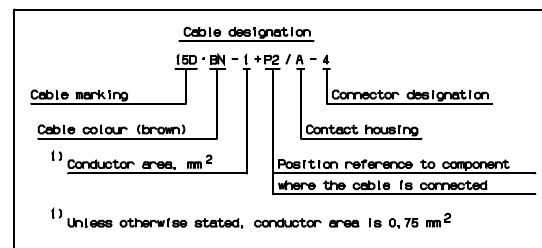


WIRING DIAGRAM



See cir dgm Opticruise
OPTICRUISE

See Wir dgm Opticruise
OPTICRUISE



Code	Colour
BK	Black
BN	Brown
RD	Red
OG	Orange
YE	Yellow
GN	Green
BU	Blue
VT	Violet
GY	Grey
WH	White
PK	Pink

¹⁾ Unless otherwise stated, conductor area is 0,75 mm²