

16:52-04

Edition 1

Instrumentpanel och el i framparti

Instrument panel and electrics in front assembly

Armaturenbrett und E-System vorn

Instrumentenpaneel en electriciteit vóór

Tableau de bord et électricité de la section avant

Panel de instrumentos y electricidad en parte delantera

Painel de instrumentos e conexões na parte dianteira

Panelli strumenti e elettricità sulla zona anteriore

Kojetaulu ja etuosan sähkö

Tablica rozdzielcza i układ elektryczny, część przednia

CN/CL

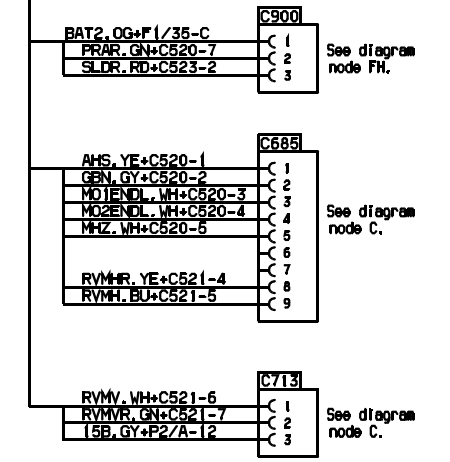
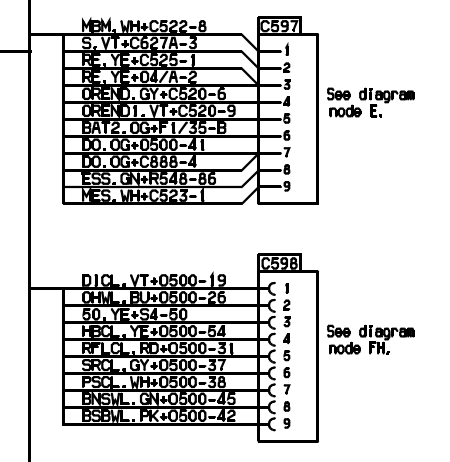
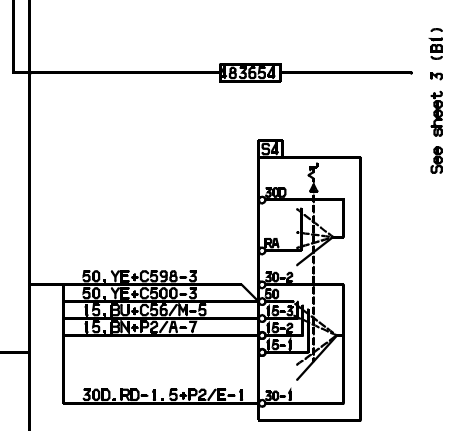
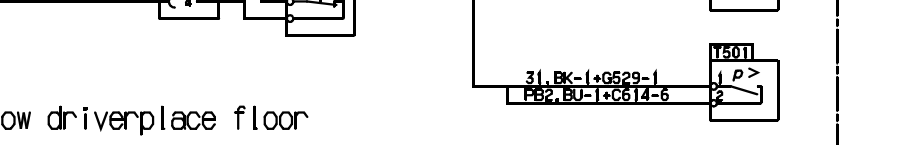
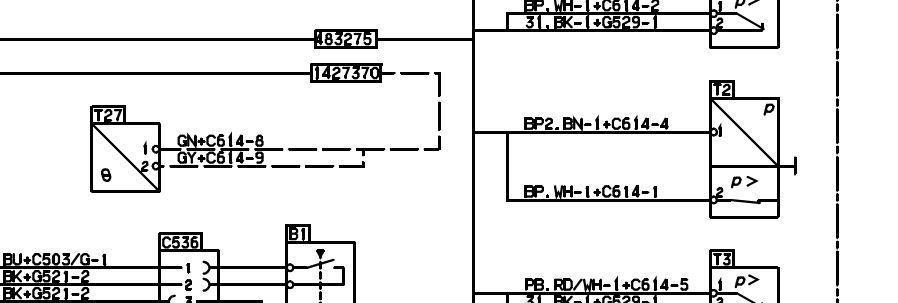
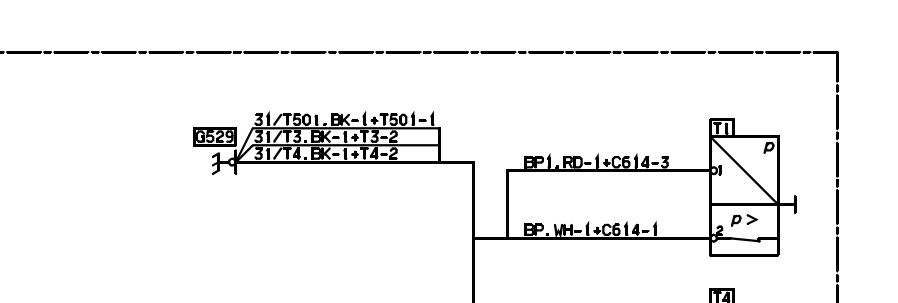
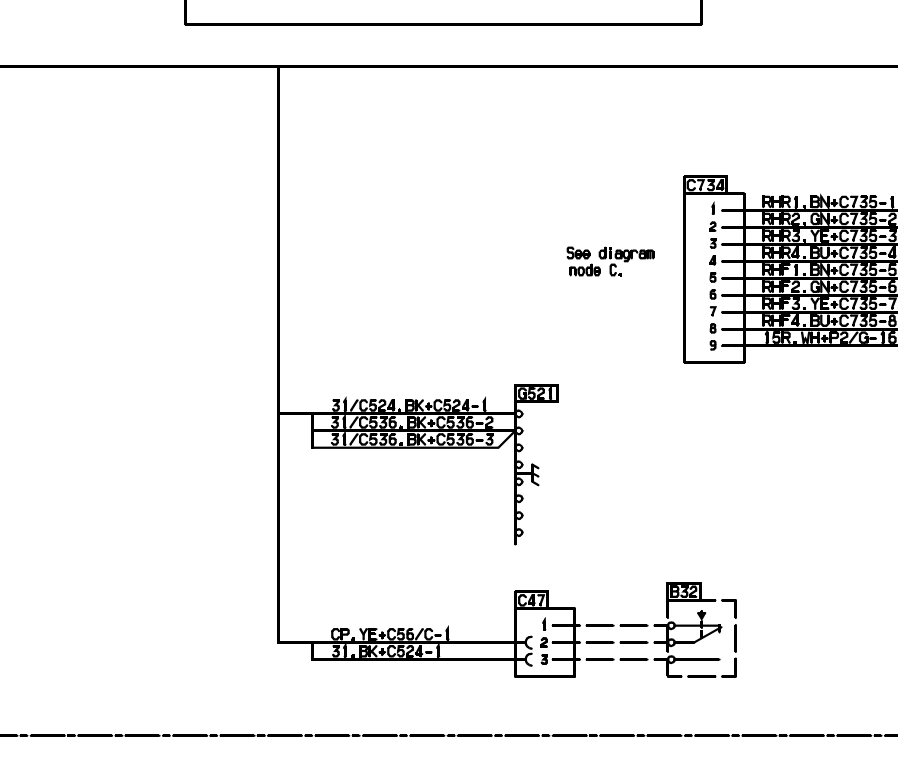
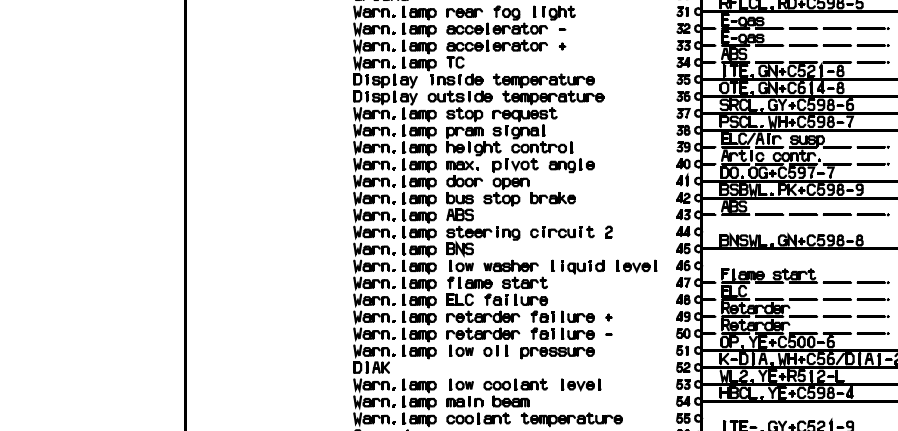
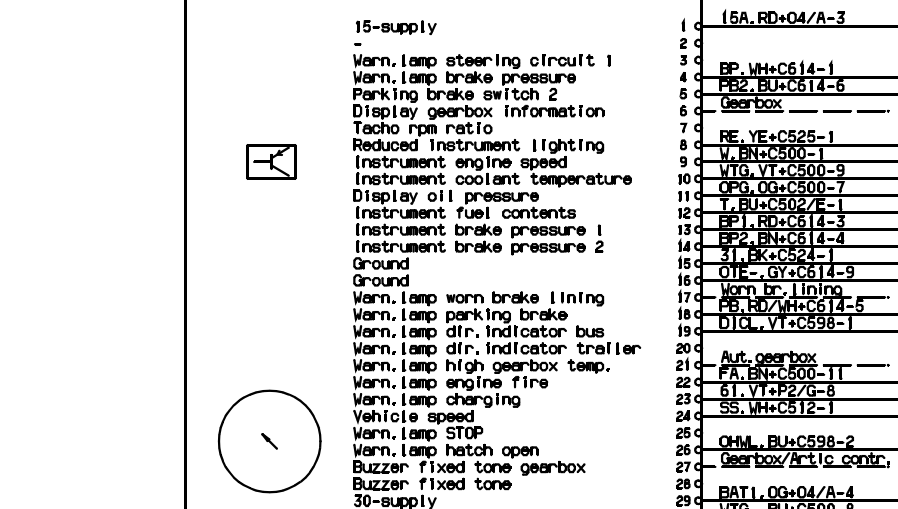
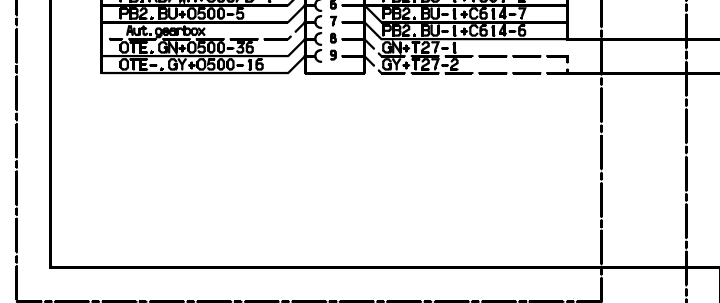
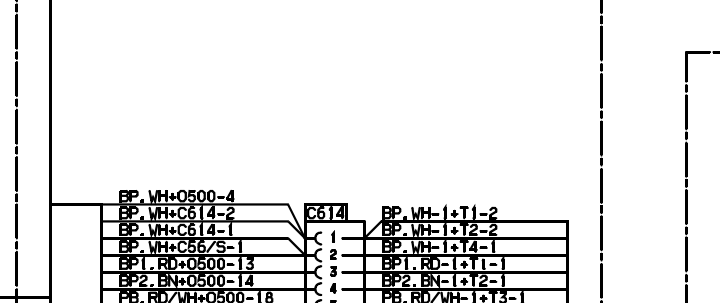
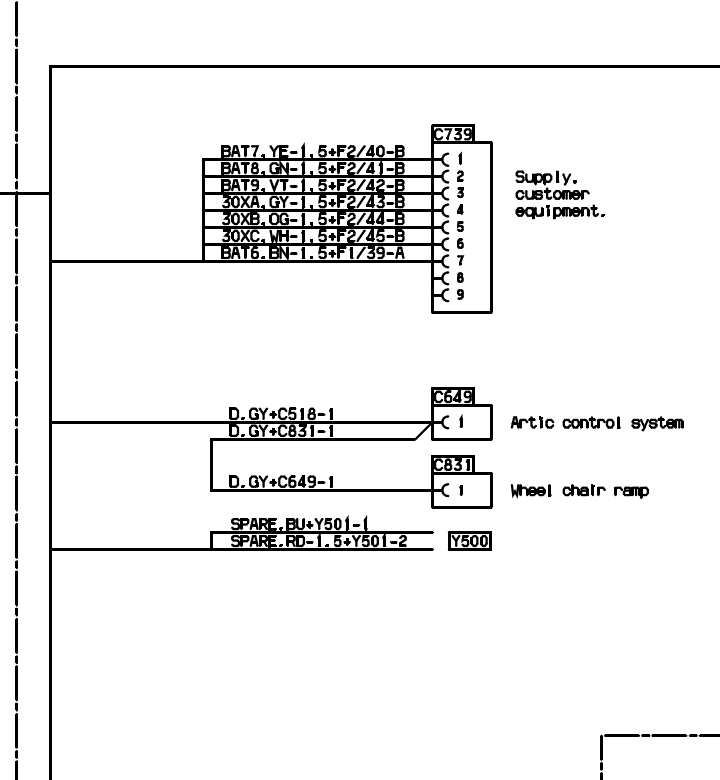
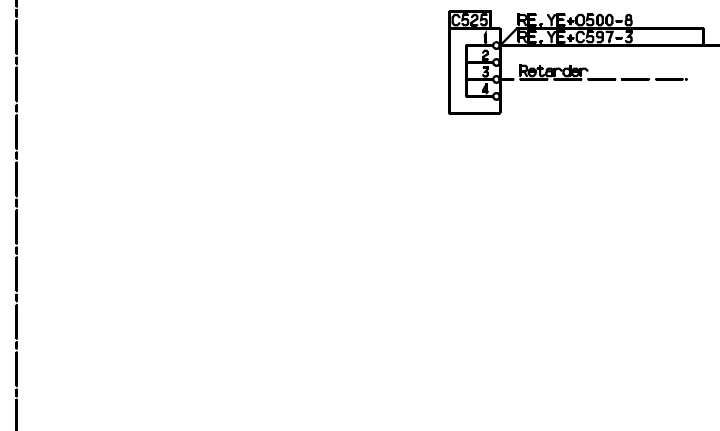
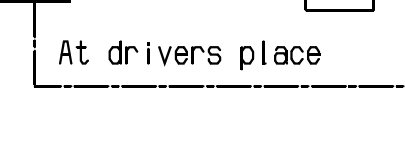
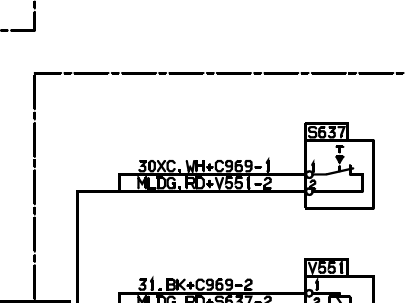
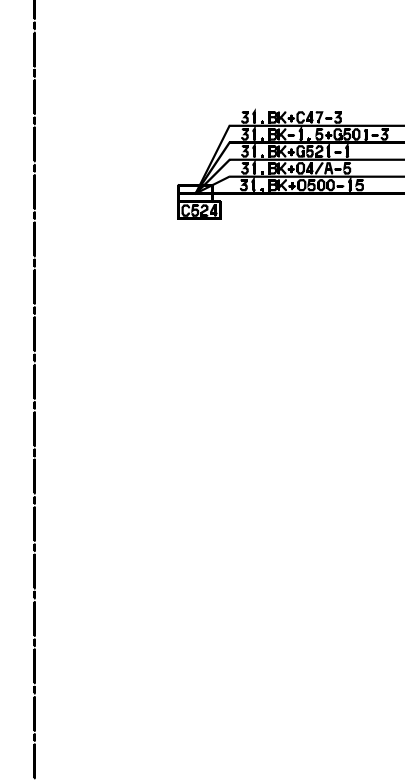
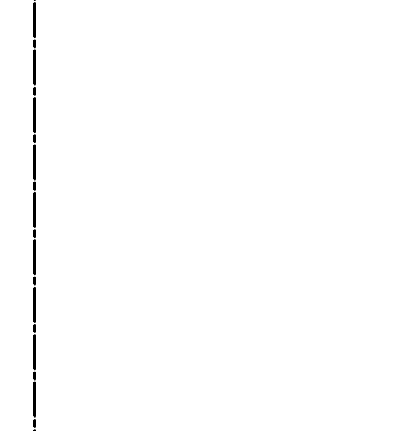
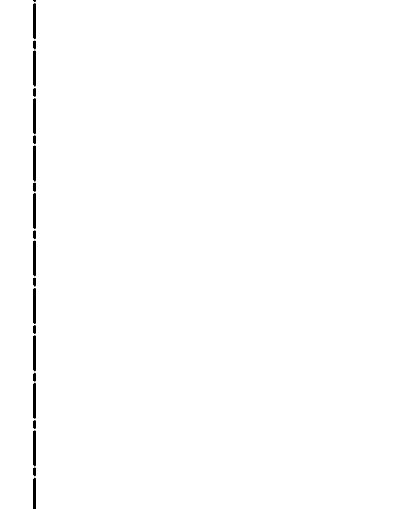
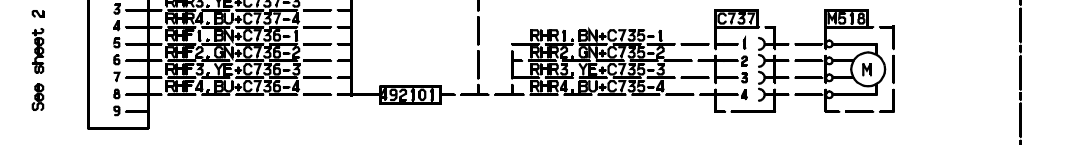
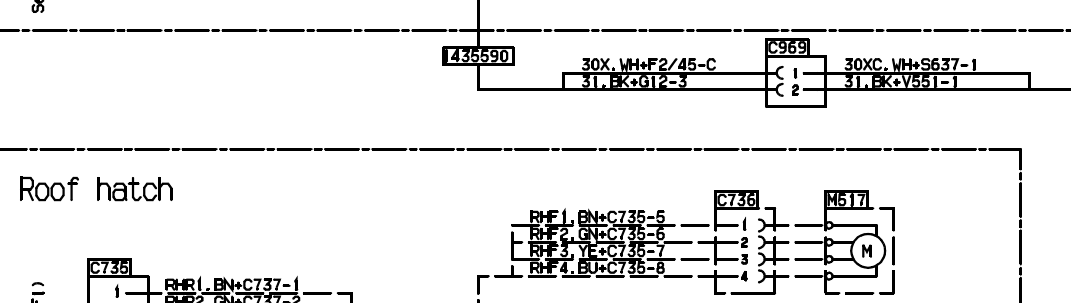
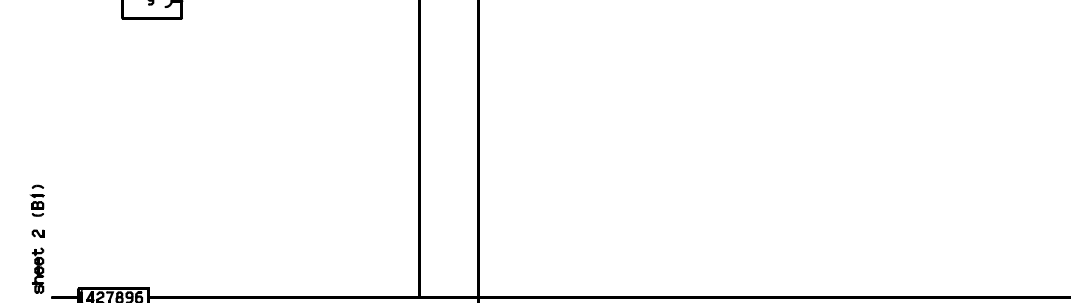
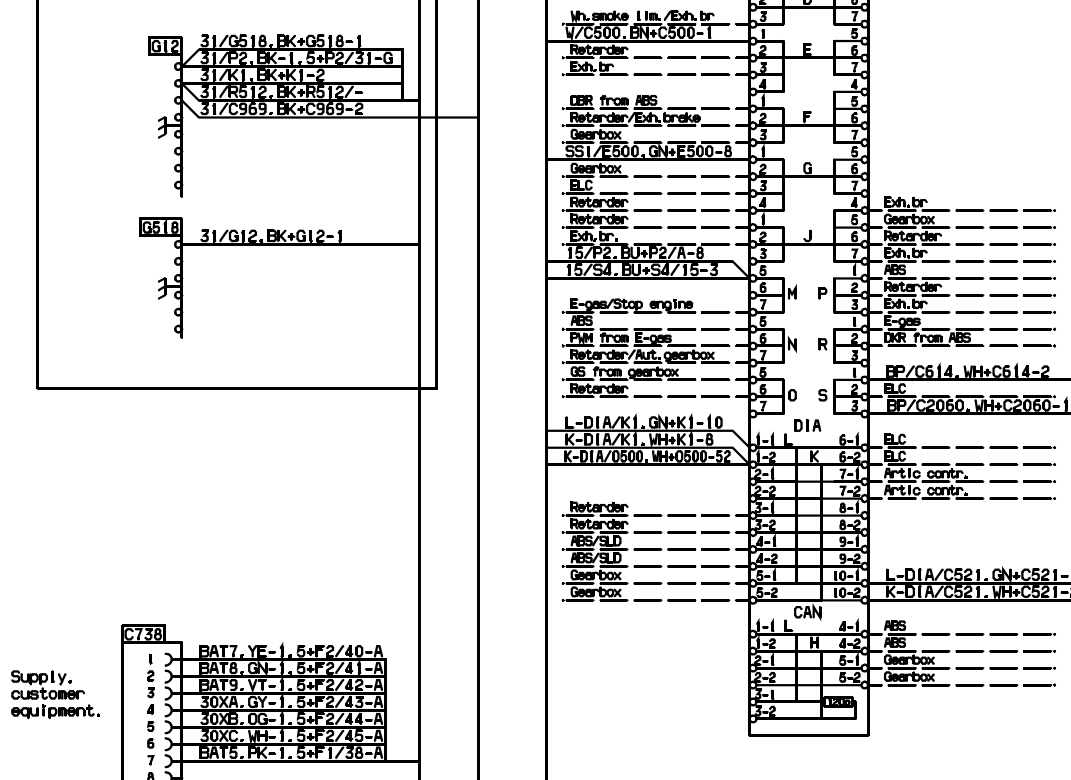
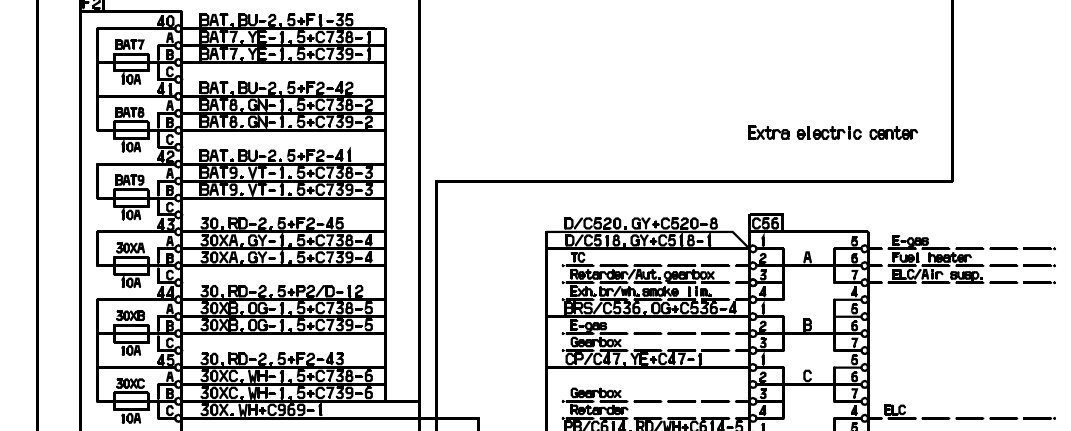
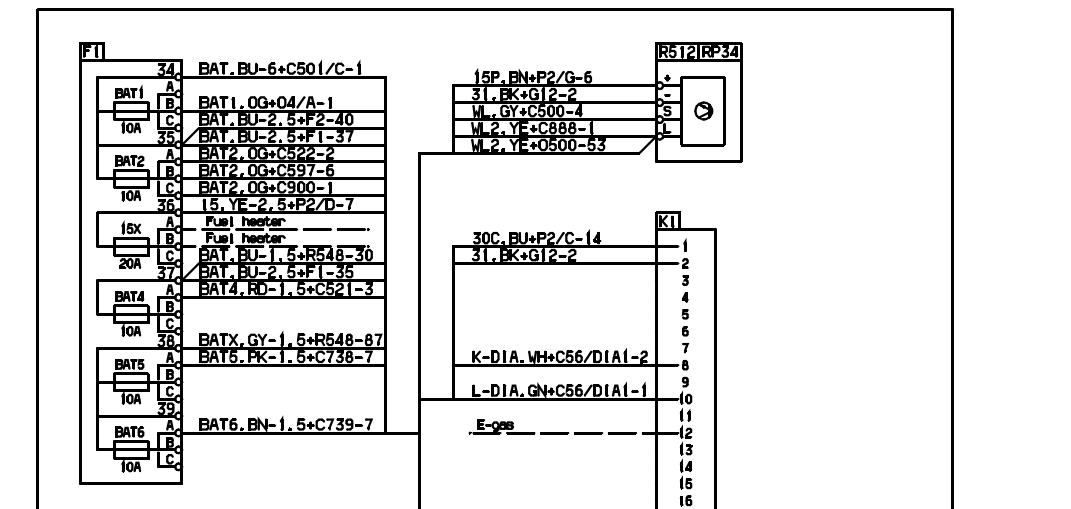
From chassis No 1 839 994

Electric centre in front

Instrument panel

15-supply	1	15A.RD+04/A-3
Vern. lamp steering circuit 1	2	BP.WH+C614-1
Vern. lamp brake pressure	3	BP2.BU+C614-6
Parking brake switch 2	4	BP2.BU+C614-6
Display gearbox information	5	BP2.BU+C614-6
Tacho rpm ratio	6	BP2.BU+C614-6
Reduced instrument lighting	7	RE.YE+C525-1
Instrument engine speed	8	V.BN+C500-1
Instrument coolant temperature	9	WIG.VT+C500-9
Display oil pressure	10	WIG.VT+C500-9
Instrument fuel contents	11	Y.BU+C502/E-1
Instrument brake pressure 1	12	BP1.RD+C614-3
Instrument brake pressure 2	13	BP2.RD+C614-4
Ground	14	31.BK+C521-1
Ground	15	31.BK+C521-1
Vern. lamp horn brake lining	16	WVH.LR+C514-9
Vern. lamp parking brake	17	WVH.LR+C514-9
Vern. lamp dir. indicator bus	18	RE.SV+VH+C512-5
Vern. lamp dir. indicator trailer	19	DIG.VT+C598-1
Vern. lamp high gearbox temp.	20	Aut. gearbox
Vern. lamp charging	21	FA.BN+C500-11
Vern. lamp STOP	22	61.VI+P2/G-3
Vern. lamp hatch open	23	SS.WH+C512-1
Buzzer fixed tone gearbox	24	CHM.BU+C598-2
Buzzer fixed tone	25	Gearbox/Artic. cent.
30-supply	26	BAT1.OG+04/A-4
Ground	27	WIG.BU+C500-8
Vern. lamp rear fog light	28	BP1.RD+C598-5
Vern. lamp accelerator	29	E.gps
Vern. lamp accelerator	30	E.gps
Vern. lamp TC	31	RE.GN+C521-8
Display inside temperature	32	OTE.GN+C614-8
Display outside temperature	33	SPQ.GY+C598-6
Vern. lamp stop request	34	SPQ.GY+C598-6
Vern. lamp prom signal	35	BLC/AIC subp.
Vern. lamp height control	36	BLC/AIC subp.
Vern. lamp max. pivot angle	37	Artic. comp.
Vern. lamp door open	38	Artic. comp.
Vern. lamp bus stop brake	39	DO.OG+C500-4
Vern. lamp ABS	40	SSM.LR+C598-9
Vern. lamp steering circuit 2	41	ABS
Vern. lamp BNS	42	BNSM.GN+C598-8
Vern. lamp low washer liquid level	43	Flame start
Vern. lamp flame start	44	Flame start
Vern. lamp ELC failure	45	Flame start
Vern. lamp retarder failure	46	Retarder
Vern. lamp retarder failure	47	Retarder
Vern. lamp low oil pressure	48	Retarder
DIAK	49	Retarder
Vern. lamp low coolant level	50	K-DIA.WH+C56/DIAI-2
Vern. lamp main beam	51	W2.YE+C512-1
Vern. lamp coolant temperature	52	HBL.YE+C598-4
Ground	53	ITE.GY+C521-9
Ground	54	ITE.GY+C521-9
Ground	55	ITE.GY+C521-9
Ground	56	ITE.GY+C521-9

BAT1.OG+04/A-4	31	A
RE.YE+C591-1	32	A
15A.RD+04/C-5	33	A
15A.RD+04/C-5	34	A
BAT1.OG+04/A-4	35	A
BAT1.OG+04/A-4	36	A
31.BK+C521-1	37	A
31.BK+C521-1	38	A
31.BK+C521-1	39	A
31.BK+C521-1	40	A
31.BK+C521-1	41	A
31.BK+C521-1	42	A
31.BK+C521-1	43	A
31.BK+C521-1	44	A
31.BK+C521-1	45	A
31.BK+C521-1	46	A
31.BK+C521-1	47	A
31.BK+C521-1	48	A
31.BK+C521-1	49	A
31.BK+C521-1	50	A
31.BK+C521-1	51	A
31.BK+C521-1	52	A
31.BK+C521-1	53	A
31.BK+C521-1	54	A
31.BK+C521-1	55	A
31.BK+C521-1	56	A
31.BK+C521-1	57	A
31.BK+C521-1	58	A
31.BK+C521-1	59	A
31.BK+C521-1	60	A



See sheet 2 (B1)
See sheet 3 (B1)
See diagram node c.
See diagram node E.
See diagram node FH.
See diagram node c.
See diagram node c.
See diagram node c.