

16:52-10/1

Edition 1

Instrumentpanel och el i framparti

Instrument panel and electrics in front assembly

Armaturenbrett und E-System vorn

Instrumentenpaneel en electriciteit vóór

Tableau de bord et électricité de la section avant

Panel de instrumentos y electricidad en parte delantera

Painel de instrumentos e conexões na parte dianteira

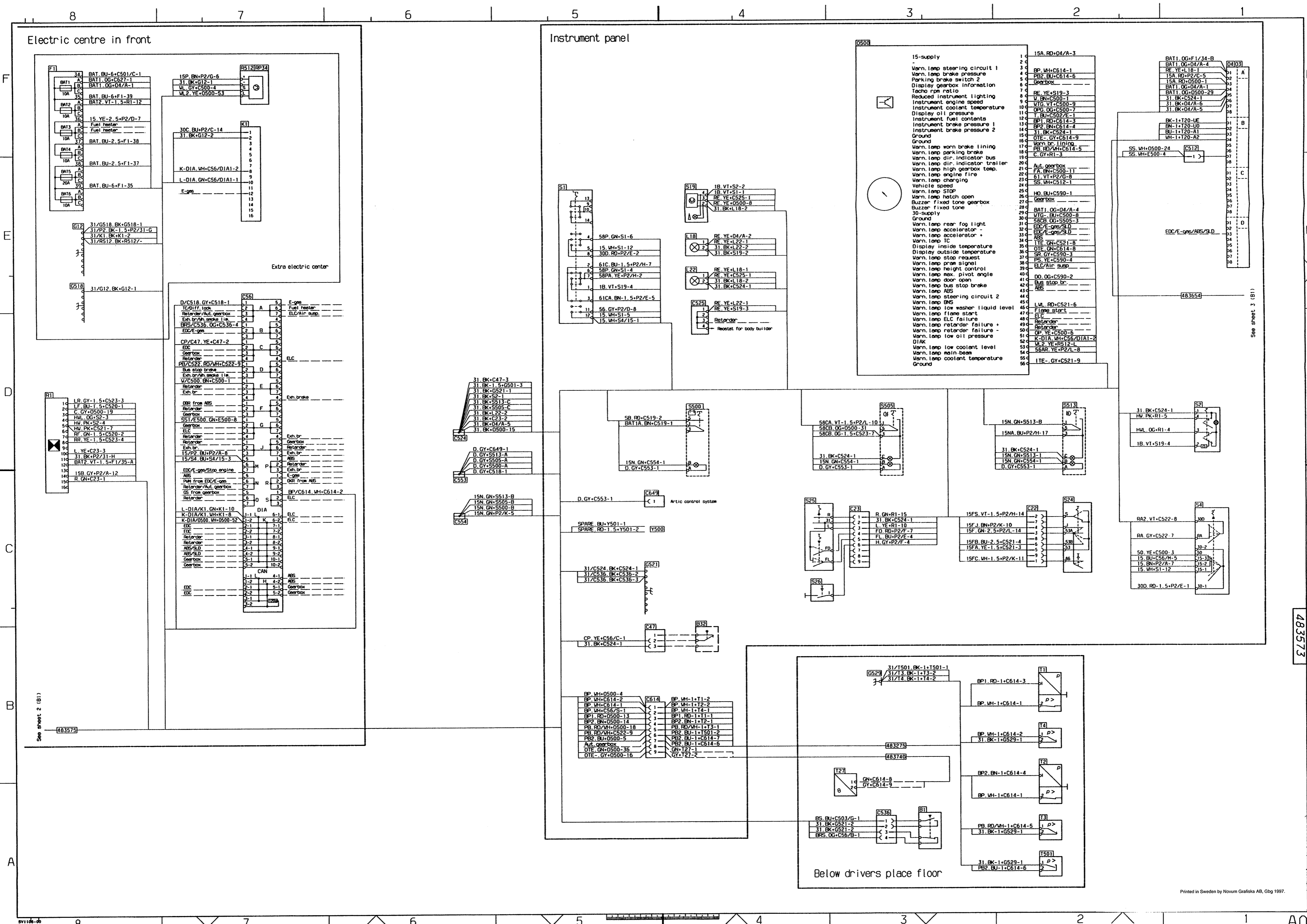
Panelli strumenti e elettricità sulla zona anteriore

Kojetaulu ja etuosan sähkö

Tablica rozdzielcza i układ elektryczny, część przednia

K/L/N

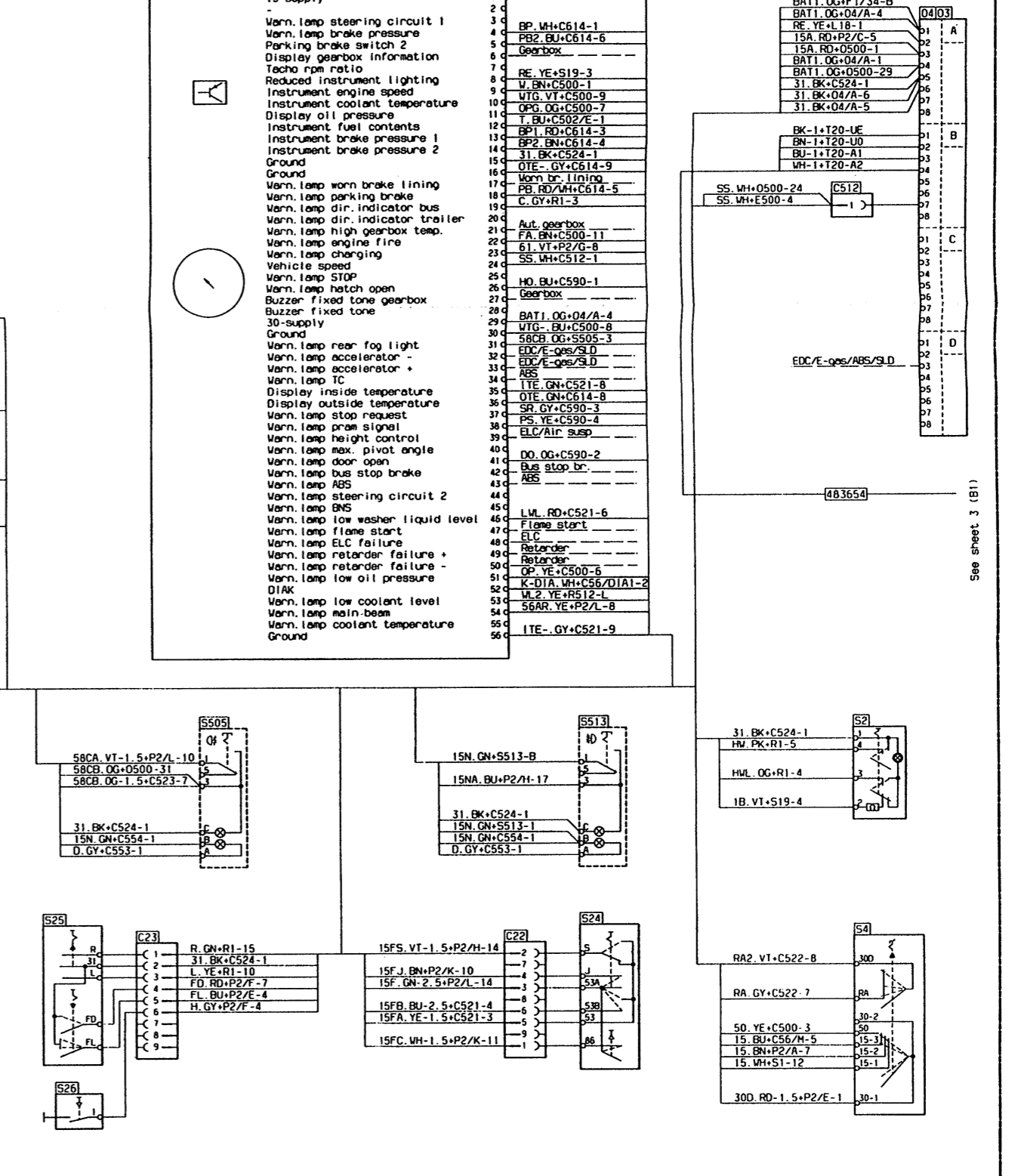
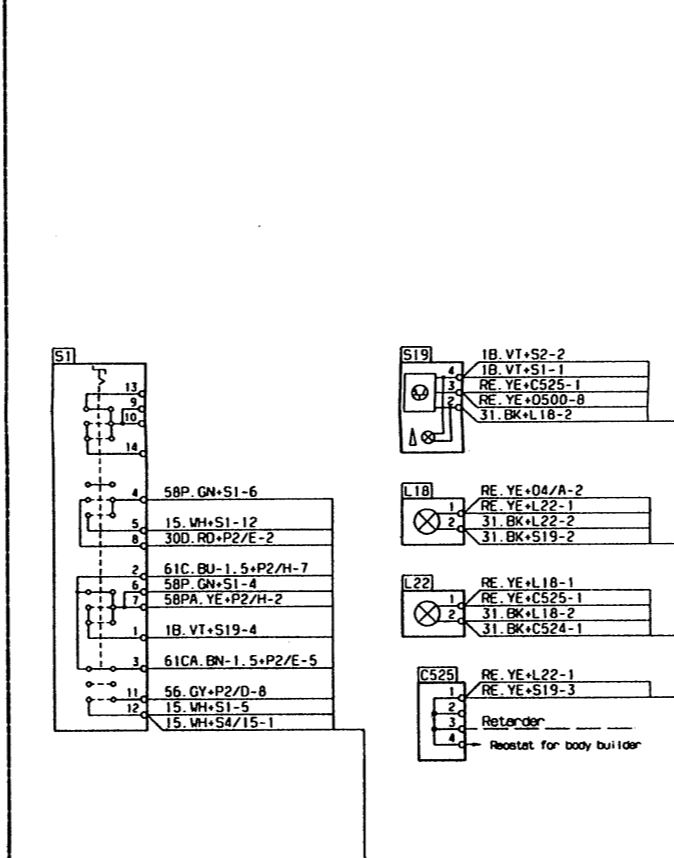
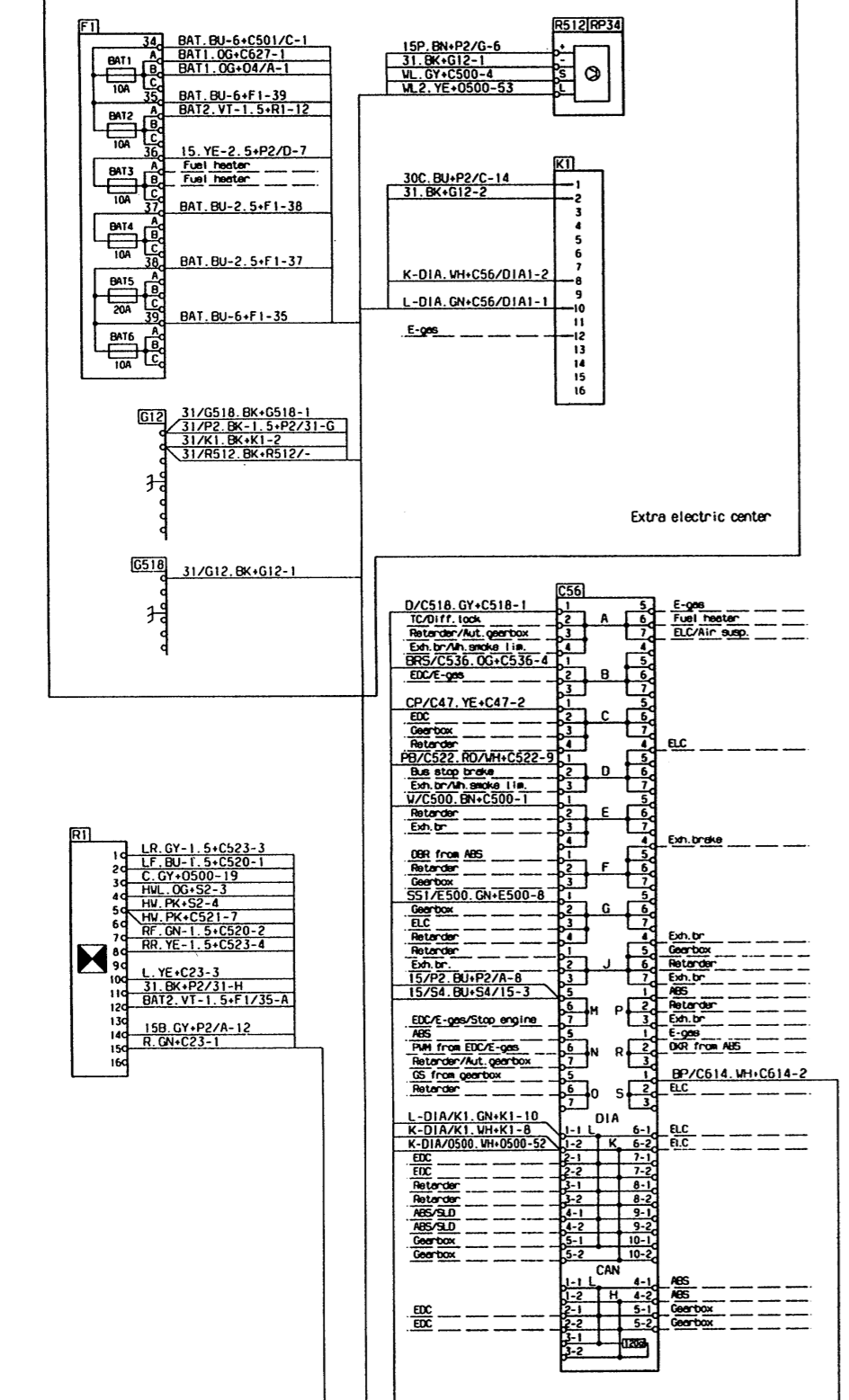
Förbindningschema, Wiring Diagram, Verbindungsplan, Bedradingsschema, Schéma de câblage, Diagrama de conexiones, Diagrama de conexões, Schema del collegamento, Kytentäkaavio, Schemat połączeń,



Electric centre in front

Instrument panel

- 15-supply
- Warn. lamp steering circuit 1
- Warn. lamp brake pressure
- Parking brake switch 2
- Display gearbox information
- Tacho rpm ratio
- Reduced instrument lighting
- Instrument engine speed
- Instrument coolant temperature
- Display oil pressure
- Instrument fuel contents
- Instrument brake pressure 1
- Instrument brake pressure 2
- Ground
- Warn. lamp worn brake lining
- Warn. lamp parking brake
- Warn. lamp dir. indicator bus
- Warn. lamp dir. indicator trailer
- Warn. lamp high gearbox temp.
- Warn. lamp engine fire
- Warn. lamp charging
- Vehicle speed
- Warn. lamp hatch open
- Buzzer fixed tone gearbox
- Buzzer fixed tone
- 30-supply
- Ground
- Warn. lamp rear fog light
- Warn. lamp accelerator -
- Warn. lamp accelerator +
- Warn. lamp TC
- Display inside temperature
- Display outside temperature
- Warn. lamp stop request
- Warn. lamp brake signal
- Warn. lamp height control
- Warn. lamp max. pivot angle
- Warn. lamp door open
- Warn. lamp bus stop brake
- Warn. lamp ABS
- Warn. lamp steering circuit 2
- Warn. lamp BNS
- Warn. lamp low washer liquid level
- Warn. lamp flame start
- Warn. lamp ELC failure
- Warn. lamp retarder failure +
- Warn. lamp retarder failure -
- Warn. lamp low oil pressure
- DIAP
- Warn. lamp low coolant level
- Warn. lamp main beam
- Warn. lamp coolant temperature
- Ground



See sheet 2 (B1)

See sheet 3 (B1)

483573