



16:52-52

Utgåva/Issue/Ausgabe/Utgave/Edición/Édition/Edizione/Painos 1

Nod C

Node C

Knoten C

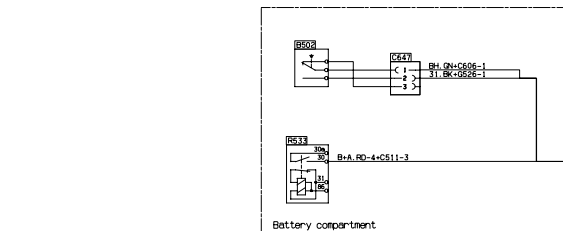
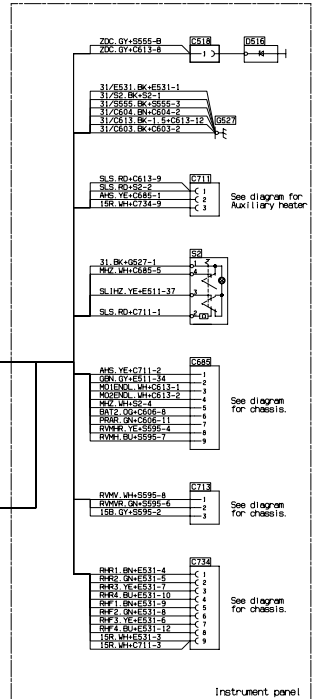
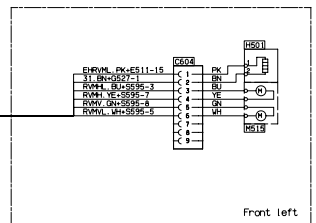
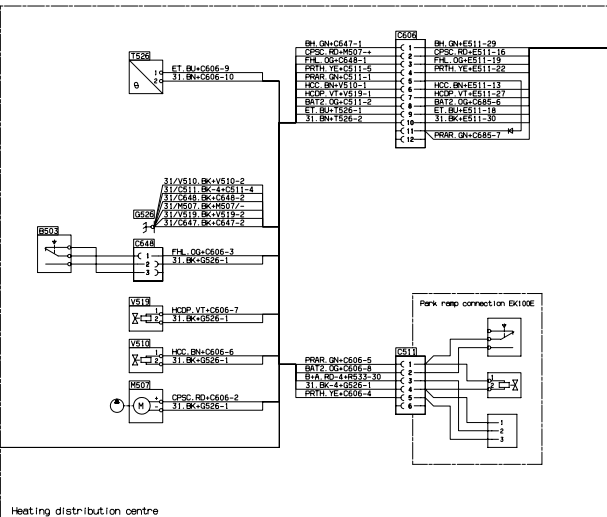
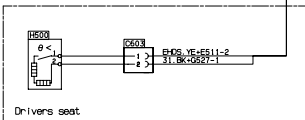
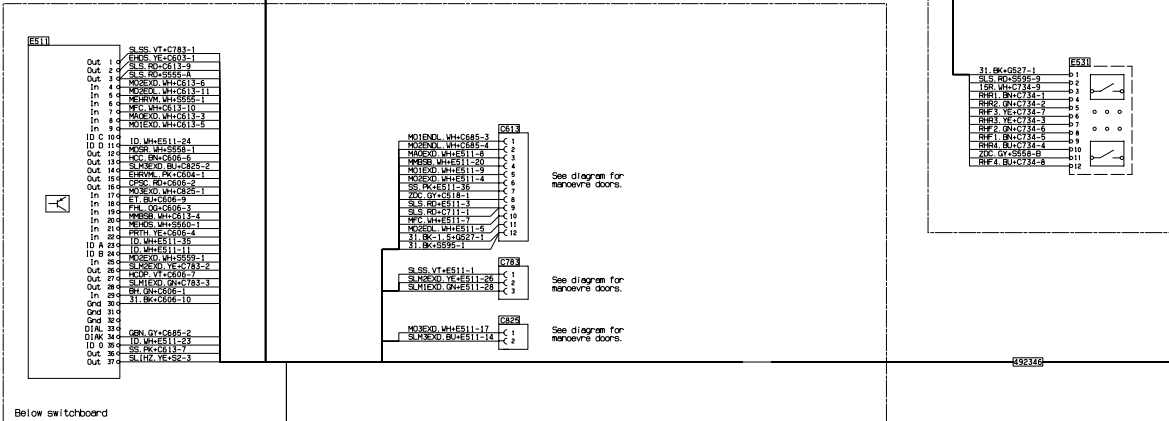
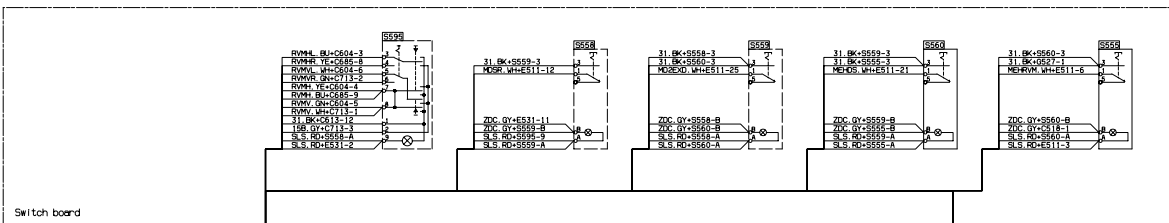
Vertakkingspunt C

Nodo C

Nod C

Nod C

Noodi C



| Des. | Pos. | Description |
|------|------|--------------------------|
| B502 | B7 | Switch |
| B503 | B6 | Switch |
| C511 | B4 | 5-pole |
| C516 | E2 | 1-pole |
| C603 | C8 | 2-pole |
| C604 | F2 | 9-pole |
| C606 | C4 | 3-pole |
| C613 | E6 | 12-pole |
| C647 | B7 | Connector |
| C648 | B6 | 3-pole |
| C685 | D2 | 3-pole |
| C711 | D2 | 3-pole |
| C713 | C2 | 3-pole |
| C734 | C2 | 3-pole |
| C783 | D2 | 3-pole |
| C825 | D6 | 2-pole |
| D516 | E2 | Zener diode |
| E511 | E8 | Node |
| E531 | E4 | Manoeuvre unit |
| G526 | B5 | Ground |
| G527 | E2 | Ground |
| H500 | C8 | Heating element |
| H501 | F2 | EL heated rear left side |
| H503 | B5 | Motor |
| H510 | F2 | Motor unit |
| R533 | A7 | Battery master relay |
| S2 | D2 | hazard warning light |
| S556 | F4 | EL heated rear vu mirror |
| S558 | F6 | Diseng. also request |
| S559 | F5 | Diseng. next doors |
| S560 | F4 | EL heated drivers seat |
| S593 | F7 | el. adj. rear mirror |
| T526 | C5 | Sensor |
| V510 | B5 | olenoid valve |
| V519 | B5 | olenoid valve |

| Code | Type | Color | Color code of motor in series |
|------|------------------|--------|-------------------------------|
| A | VE 1x6 50-24V-2U | Blue | |
| B | BMS-24V-2U | Brown | |
| C | BMS-24V-1U | Brown | |
| D | BMS 5-24V-5U | Red | |
| E | BMS-24V-1U | Orange | |
| F | BMS-24V-5U | Yellow | |
| G | 24V-1-2U | Green | |
| H | BMS-24V-2U | Blue | |
| K | PMS-24V-75/200 | White | |
| L | PMS-24V-65/200 | Black | |
| M | 24V-24V-1-2U | Grey | |
| N | BMS-24V-3U | White | |
| P | PMS-24V-200 | Black | |
| R | BMS-24V-2U | Pink | |

Additional or optional equipment
Dotted cable dotted detail

Power supply and communication for nodes are located on a separate drawing.