



16:52-54

Utgåva/Issue/Ausgabe/Uitgave/Edición/Édition/Edizione/Painos 1

Nod E

Node E

Knoten E

Vertakkingspunt E

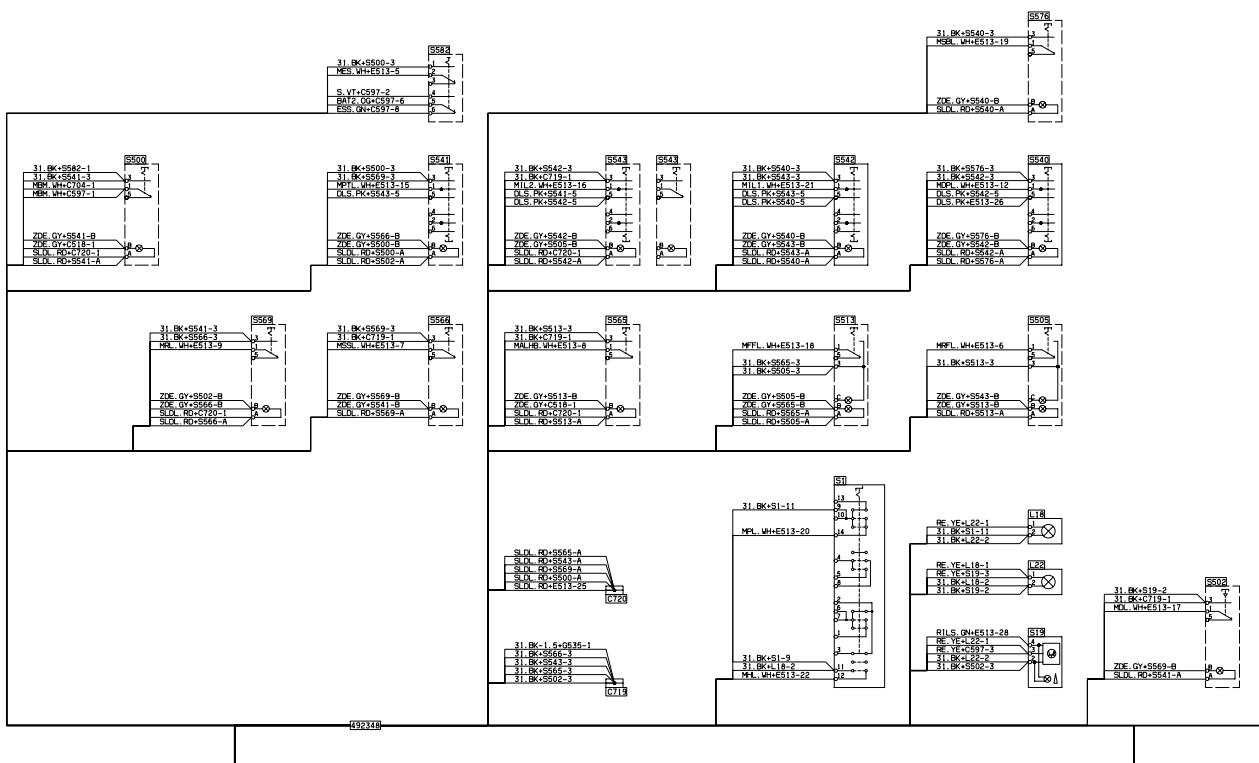
Nodo E

Nod E

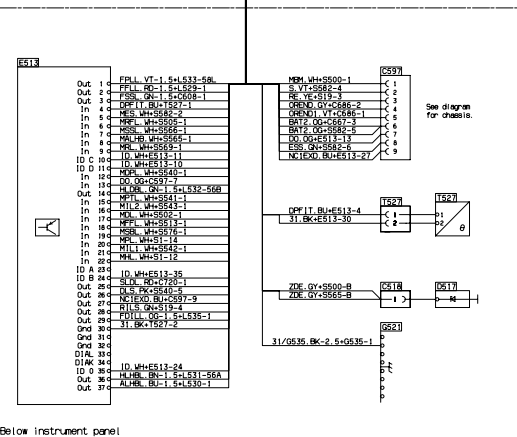
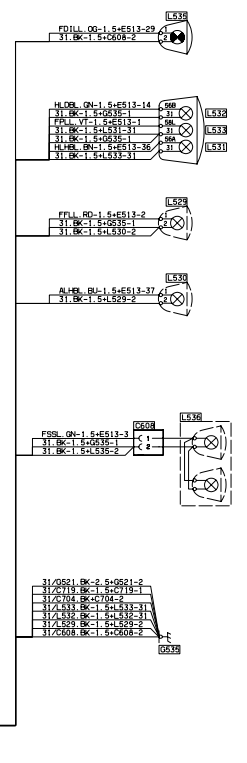
Nod E

Noodi E

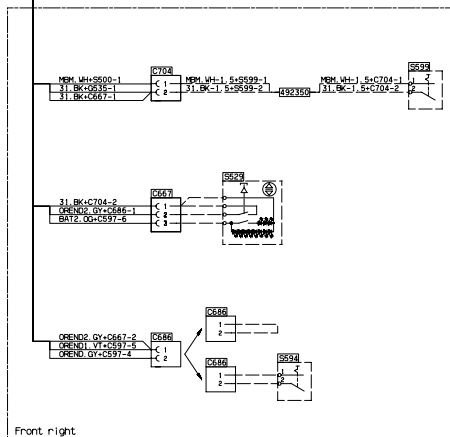
Instrument panel left



Front left

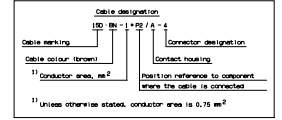


Below instrument panel



Front right

Des.	Pos.	Description
C518	A7	1-pole
C597	B7	9-pole
C608	D2	2-pole
C667	B3	3-pole
C684	A3	connector
C704	B3	2-pole
C719	C6	Joining sleeve
C720	D6	1-pole
D517	A6	Zener diode
E513	B8	Node
G521	A7	Ground (instr panel)
G535	C2	Ground
L18	D4	Symbol lighting rheostat
L22	D4	switch lighting
L529	E2	Front fog lamp
L530	E2	Auxiliary high
L531	E2	High beam lamp left
L532	F2	Dipped beam lamp
L533	F2	Position lamp
L534	F2	Direction indicator front left
L536	D2	School sign light front
S1	D5	Switch lighting
S13	C4	Instrument lighting
S500	E8	rel.battery master switch
S502	D3	differential lock
S509	E4	rear fog light
S513	E5	Front fog light
S529	B3	Exterior opening
S540	E4	drivers place lightning
S541	E6	pay table lightning
S543	E6	Interior lightning left cir
S544	E6	Switch Interior lightning 2nd cir
S565	E6	Auxiliary high beam left
S566	E6	School sign light
S568	E7	Reading lamp
S576	F4	Storage box lighting
S582	F6	Emergency stop
S594	A3	Ext. opening disengagement
S595	B2	rel.battery master switch
T527	B7, B6	Sensor Temp. drivers.pl fan inlet



Sub selection	Code	Type	Colour code of electric cables	Colour
A	W	1x0.5-2x2x2V	Black	Black
B	W	0.5-2x2V	Black	Black
C	W	0.5-2x2x1.5V	Black	Brown
D	W	0.5-2x2x0.5V	Black	Brown
E	W	0.5-2x2x0.5V	Black	Red
F	W	0.5-2x2x0.5V	Black	Orange
G	W	0.5-2x2x0.5V	Black	Yellow
H	W	0.5-2x2x0.5V	Black	Green
I	W	0.5-2x2x0.5V	Black	Blue
J	W	0.5-2x2x0.5V	Black	Green
K	W	0.5-2x2x0.5V	Black	White
L	W	0.5-2x2x0.5V	Black	Grey
M	W	0.5-2x2x0.5V	Black	White
N	W	0.5-2x2x0.5V	Black	Black
P	W	0.5-2x2x0.5V	Black	Black
R	W	0.5-2x2x0.5V	Black	Black

Additional or optional equipment
 Dotted cable Dotted detail

Power supply and communication for nodes are located on a separate drawing.