

SCANIA

16:52-61

Utgåva/Issue/Ausgabe/Uitgave/Edición/Edition/Edizione/Painos 1

Dörrar, manövrering

Doors, controlling

Türen, betätigung

Portieren, bediening

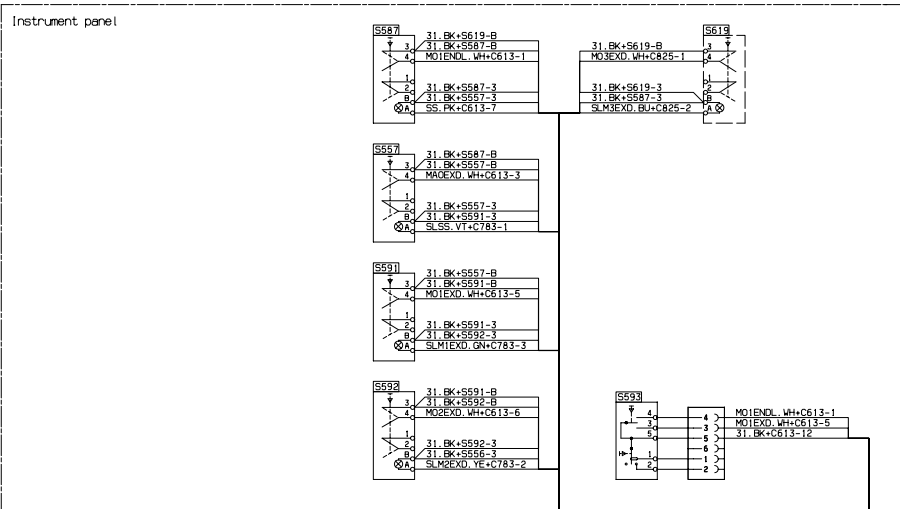
Puertas, accionamiento

Portes, commande

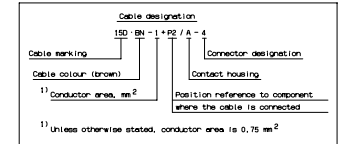
Portiere, azionamento

Ovet, ohjaus

Portas, comando

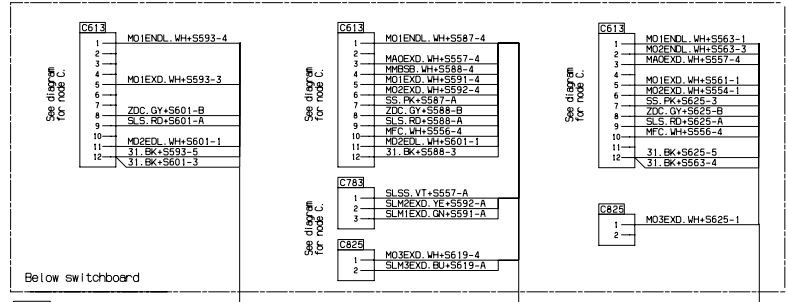
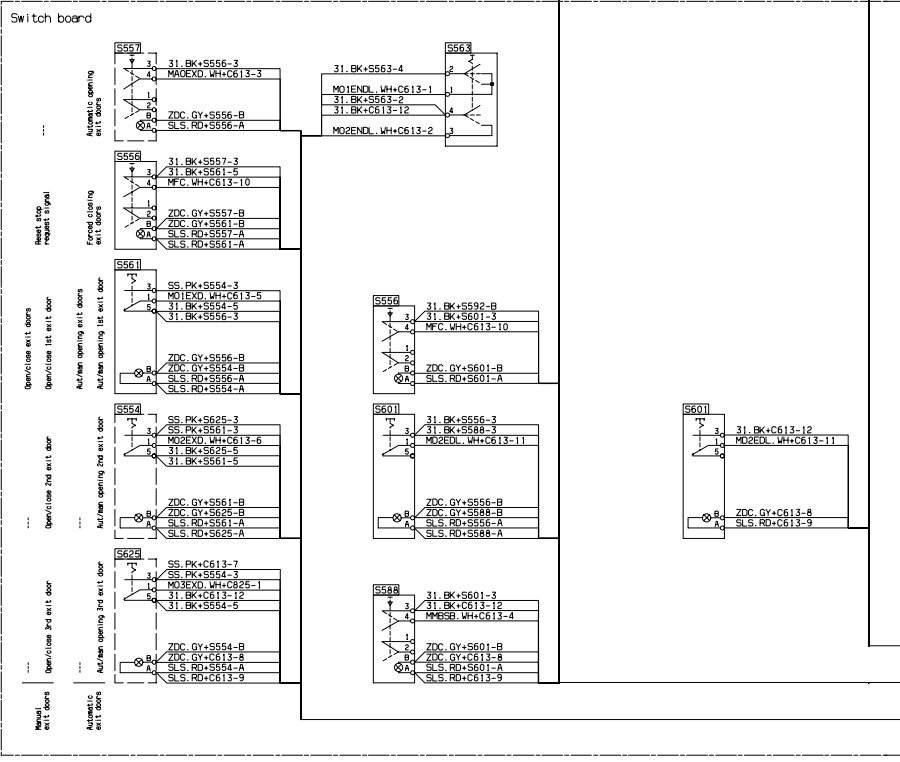


Des.	Pos.	Description
C613	C3,C4,C5	Connector 12-pole
C783	B4	Connector 3-pole
C825	B3, B4	Connector 2-pole
S564	C8	exit doors M
S556	D8, C7	Forced clos. exit doors
S557	D8, F7	Aut. open. exit doors
S551	D8	exit doors M
S563	D7	Manoeuvre entrance doors
S587	F7	Manoeuvre entr. door
S588	B7	Switch Manoeuvre bus stop br.
S591	E7	Manoeuvre 1st ex. door
S592	E7	Manoeuvre 2nd ex. door
S593	E6	Manoeuvre doors
S601	C7, C6	D1 send. 2nd entr. door M
S619	F6	Manoeuvre 3rd ex. door
S625	C8	exit doors M



Code	Type	Colour code of electric cables
A	W2, 1x0.50-24V-2W	BK Black
B	BA150-24V-2W	BN Brown
C	BA150-24V-15W	BN Brown
D	SV8, 5-24V-5W L=39	RD Red
E	BA150-24V-10W	OG Orange
F	BA150-24V-5W	OG Orange
G	24V-1.2W	GN Green
H	BA150-24V-21W	BU Blue
K	PA35-24V-70W H4	VT Violet
L	PA55-24V-55/50W	Bl Lux
M	1x0.50-60-24V-1.2W	GY Grey
N	BA70-24V-3W	WH White
P	PK220-24V-70W	H3
R	BA150-24V-21W	PK Pink

Additional or optional equipment
Dotted cable Dotted detail



Below switchboard