

SCANIA

16:52-61

Utgåva/Issue/Ausgabe/Uitgave/Edición/Edition/Edizione/Painos 1

Dörrar, manövrering

Doors, controlling

Türen, betätigung

Portieren, bediening

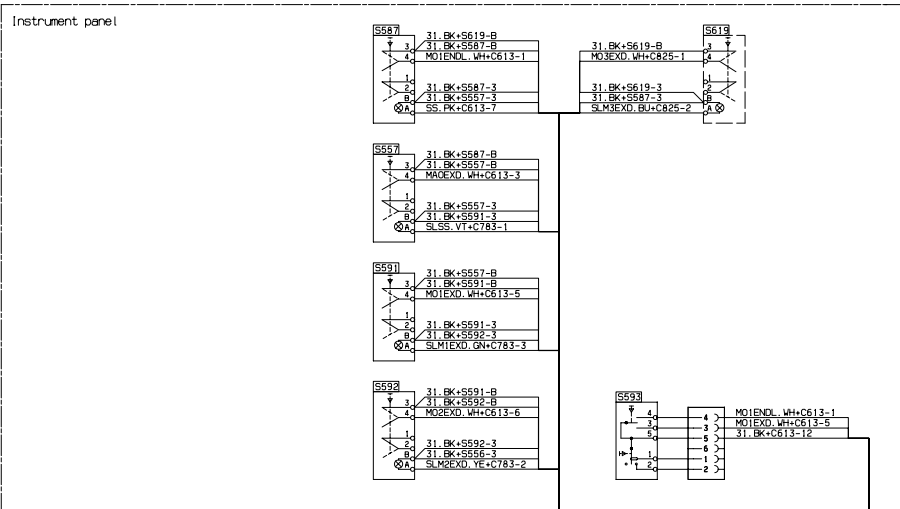
Puertas, accionamiento

Portes, commande

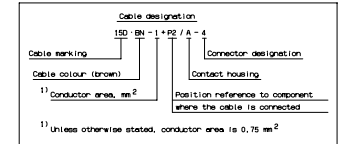
Portiere, azionamento

Ovet, ohjaus

Portas, comando



Des.	Pos.	Description
C613C3C4C5		Connector 12-pole
C783 B4		Connector 3-pole
C825 B3, B4		Connector 2-pole
S564 C8		exit doors M
S556 D8, C7		Forced clos. exit doors
S557 D8, F7		Aut. open. exit doors
S551 D8		exit doors M
S563 D7		Manoeuvre entrance doors
S587 F7		Manoeuvre entr. door
S588 B7	Switch	Manoeuvre bus stop br.
S591 E7		Manoeuvre 1st ex. door
S592 E7		Manoeuvre 2nd ex. door
S593 E6		Manoeuvre doors
S601 C7, C6		D1 send, 2nd entr. door M
S619 F6		Manoeuvre 3rd ex. door
S625 C8		exit doors M



Code	Type	Colour	Code	Colour
A	W2, 1x0.50-24V-2W	BK	BD	Black
B	BA150-24V-2W	BN	BO	Orange
C	BA150-24V-15W	BN	BY	Yellow
D	SV8, 5-24V-5W L=39	RD	GN	Green
E	BA150-24V-10W	OG	BU	Blue
F	BA150-24V-5W	OG	VT	Violet
G	24V-1.2W	GY	GY	Grey
H	BA150-24V-21W	BU	WH	White
K	PA35-24V-75/70W H4	VT	PK	Pink
L	PA35-24V-55/50W B1Lux			
M	1x0.50-60-24V-1.2W			
N	BA75-24V-3W			
P	PK220-24V-70W H3			
R	BA150-24V-21W			

Additional or optional equipment
Dotted cable Dotted detail

