

16:54-26

Edition 1

Automatisk växellåda ZF, generation 2

Automatic gearbox ZF, generation 2

Automatikgetriebe ZF, Generation 2

Automatische versnellingsbak ZF, generatie 2

Boîte de vitesses automatique ZF, génération 2

Caja automática ZF, generación 2

Caixa de velocidades automática ZF, geração 2

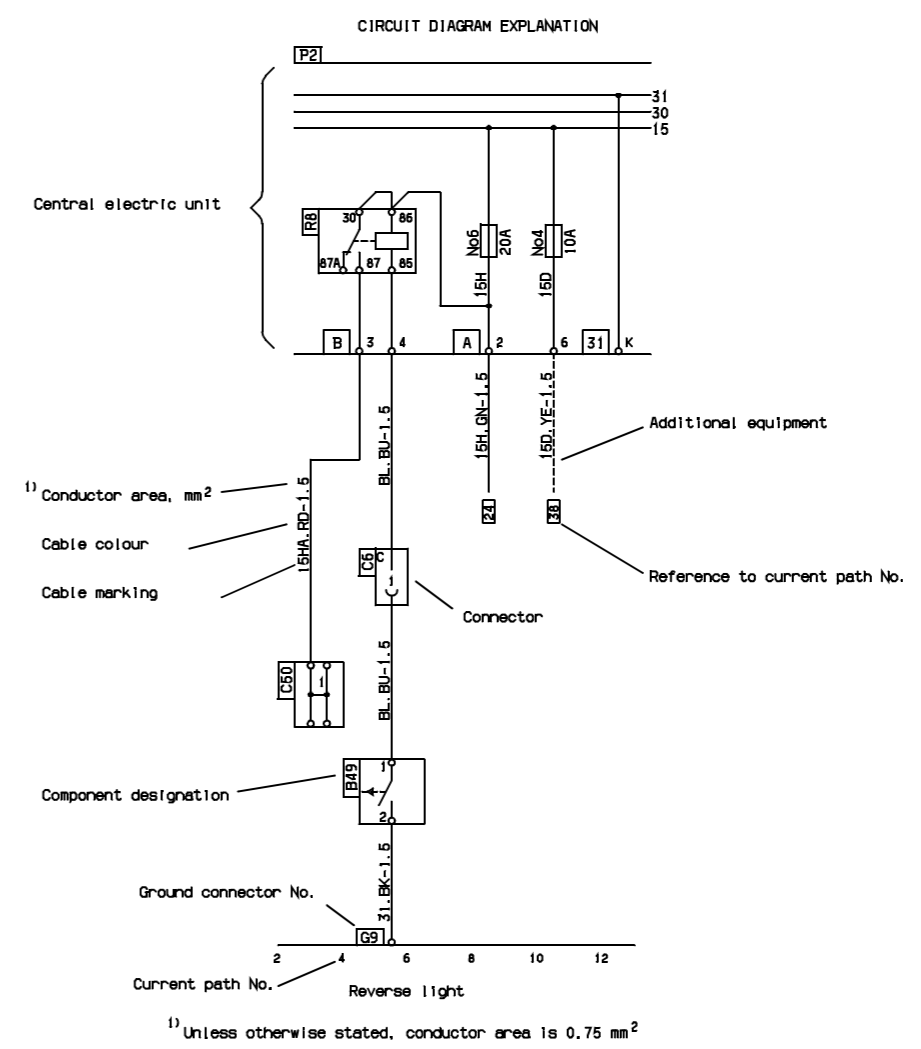
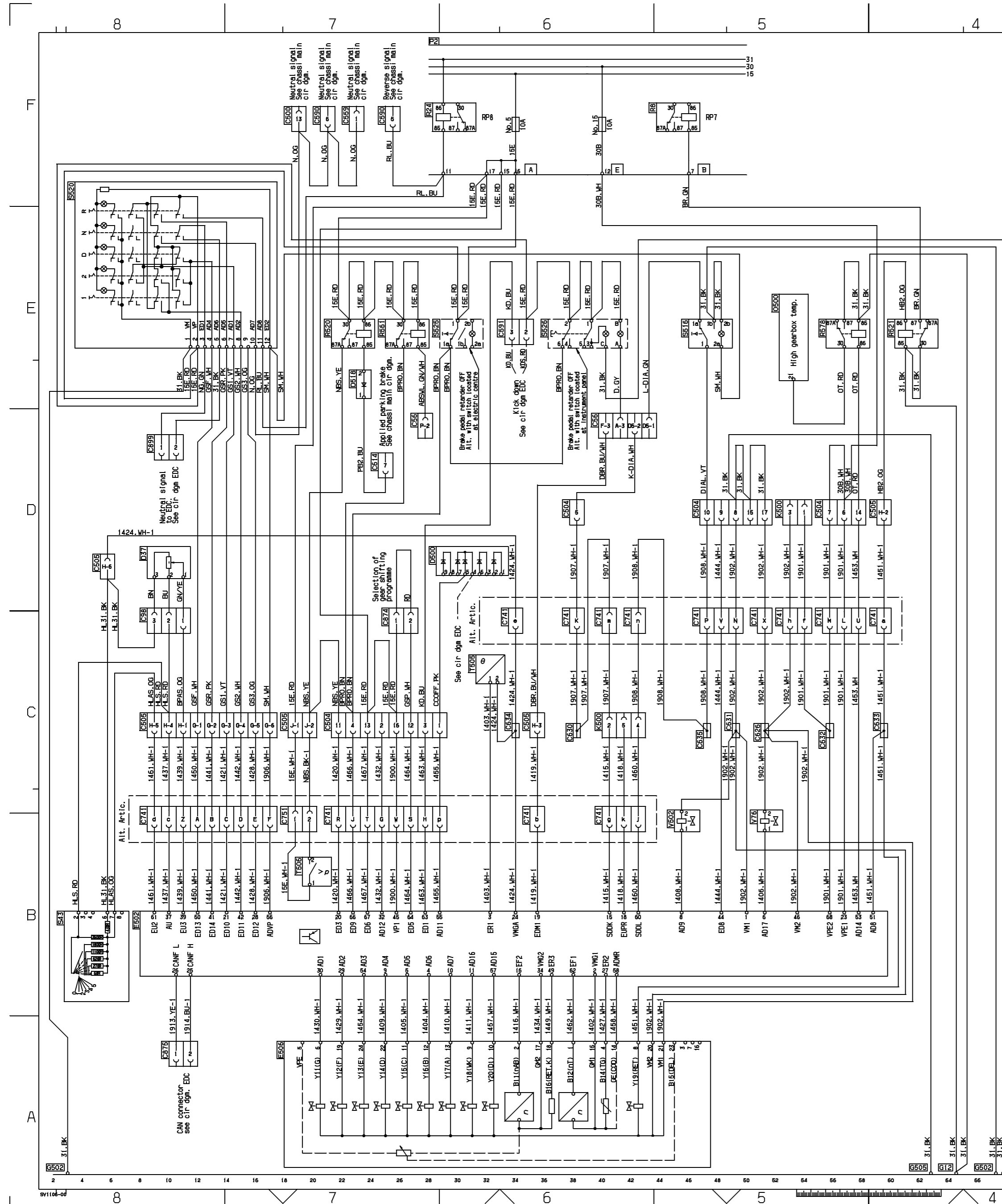
Cambio automatico ZF, generazione 2

Automaattivaihteisto ZF, sukupolvi 2

Automatyczna skrzynia biegów ZF, pokolenie 2

ZF4/5HP502/592/602

Kretsschema, Circuit diagram, Schaltplan, Circuitschema, Schéma de circuit, Diagrama de circuitos, Diagrama de circuito, Schema circuito, Piirikaavio, Schemat obdowu



Colour code of electric cables

Code	Colour
BK	Black
BN	Brown
RD	Red
OG	Orange
YE	Yellow
GN	Green
BU	Blue
VT	Violet
GY	Grey
WH	White
PK	Pink

Des.	Path	Description
C56		Junction block
C98	8	3-pole
C500	18	Connector 17-pole
C504		Connector 3x6-pole
C505		Connector 9-pole
C591	33	Connector 3-pole
C614	24	Connector 9-pole
C626	51	1-pole
C630	38	
C631	49	
C632	55	Joining sleeve 1-pole
C633	59	
C634	33	
C635	47	
C741		24-pole
C761	18	
C874	25	Connector 2-pole
C875	10	
C895	9	
D37	8	Potentiometer brake pedal
D516	23	Diode
E502	8	Control unit automatic gearbox ZF
E506	18	Gearbox ZF
G12	64	extra electrical panel
G502		Ground
G508	62	electrical center
K500		Diagnostics socket
L503	70	Symbol lighting retarder
O500	52	Combination instrument
P2	28	Central electric unit
R8	44	stop light
R24	28	reverse light
R520	21	applied parking brake
R521	60	brake light
R561	25	retarder disengagement-ABS
R574	55	High gearbox temp.
S43	2	retarder
S516	46	diagnostics gearbox
S520	3	gear selector
S525	29	
S526	36	ret. brake pedal on/off
T505	29	Sensor oil temperature, gear box
T506	19	Monitor applied rear brake
V76	51	proportional
V502	45	Solenoid valve accumulator

Additional or optional equipment
Dotted cable Dotted detail

1452075