

16:54-26

Edition 1

Automatisk växellåda ZF, generation 2

Automatic gearbox ZF, generation 2

Automatikgetriebe ZF, Generation 2

Automatische versnellingsbak ZF, generatie 2

Boîte de vitesses automatique ZF, génération 2

Caja automática ZF, generación 2

Caixa de velocidades automática ZF, geração 2

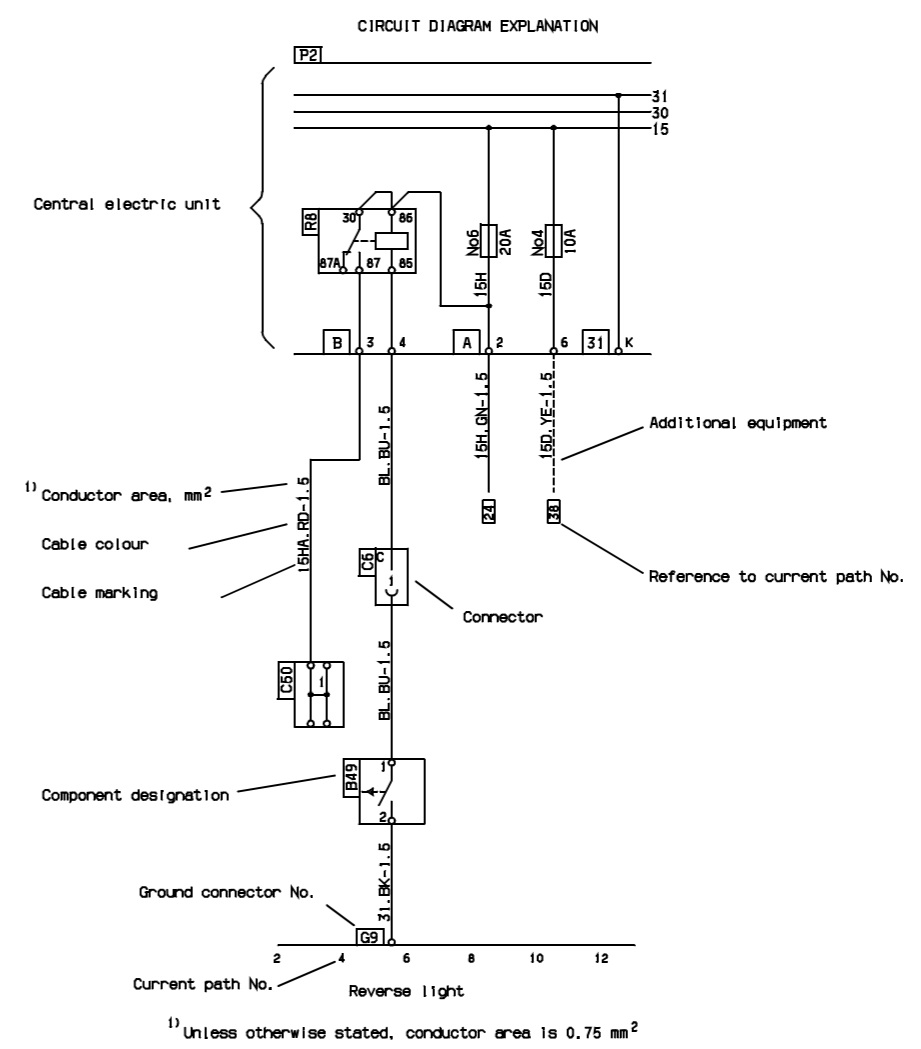
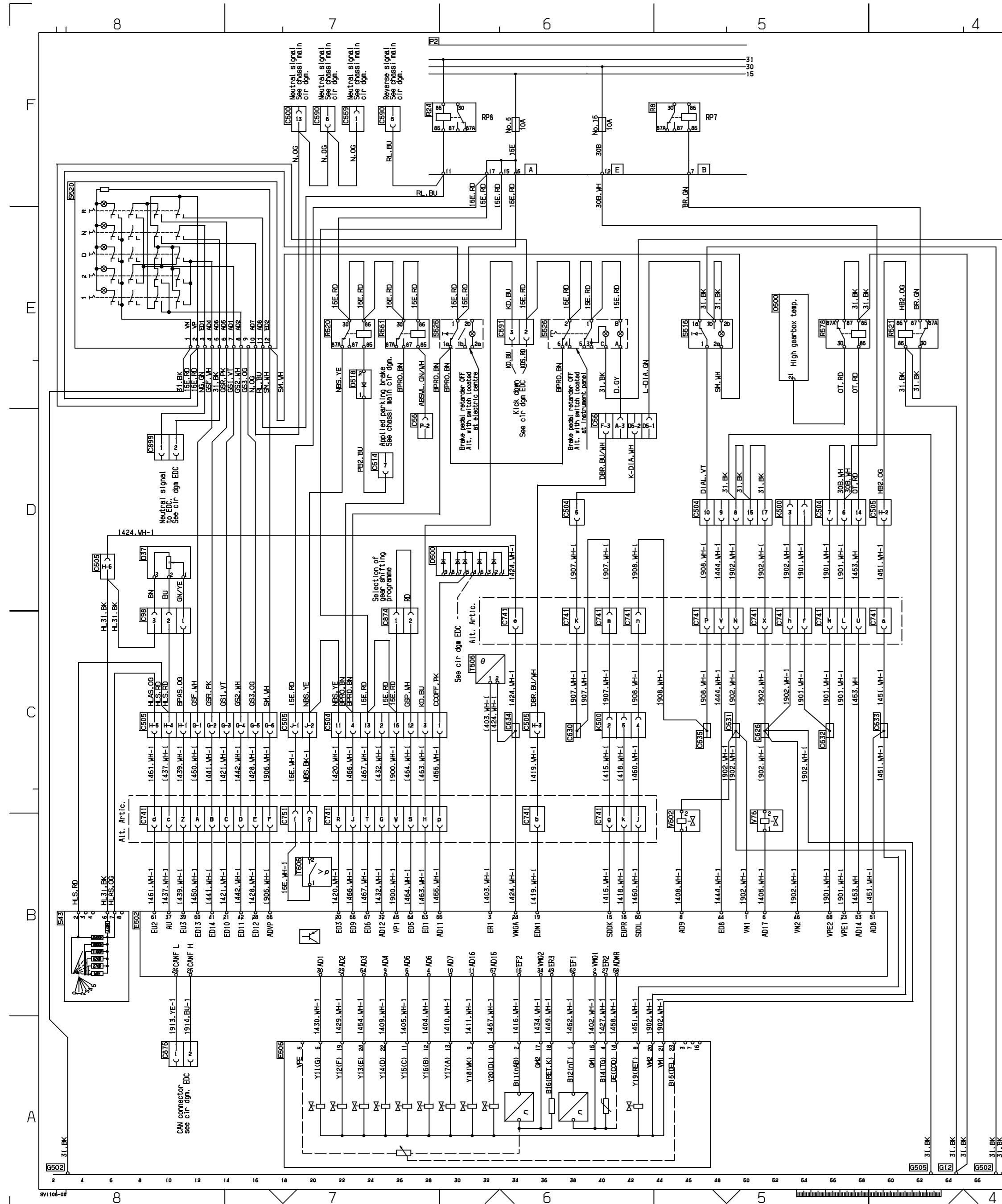
Cambio automatico ZF, generazione 2

Automaattivaihteisto ZF, sukupolvi 2

Automatyczna skrzynia biegów ZF, pokolenie 2

ZF4/5HP502/592/602

Kretsschema, Circuit diagram, Schaltplan, Circuitschema, Schéma de circuit, Diagrama de circuitos, Diagrama de circuito, Schema circuito, Piirikaavio, Schemat obdowu



Colour code of electric cables

| | |
|------|--------|
| Code | Colour |
| BK | Black |
| BN | Brown |
| RD | Red |
| OG | Orange |
| YE | Yellow |
| GN | Green |
| BU | Blue |
| VT | Violet |
| GY | Grey |
| WH | White |
| PK | Pink |

| Des. | Path | Description |
|------|------|-----------------------------------|
| C56 | | Junction block |
| C98 | 8 | 3-pole |
| C500 | 18 | Connector 17-pole |
| C504 | | Connector 3x6-pole |
| C505 | | Connector 9-pole |
| C591 | 33 | Connector 3-pole |
| C614 | 24 | Connector 9-pole |
| C626 | 51 | 1-pole |
| C630 | 38 | |
| C631 | 49 | |
| C632 | 55 | Joining sleeve 1-pole |
| C633 | 59 | |
| C634 | 33 | |
| C635 | 47 | |
| C741 | | 24-pole |
| C761 | 18 | |
| C874 | 25 | Connector 2-pole |
| C875 | 10 | |
| C895 | 9 | |
| D37 | 8 | Potentiometer brake pedal |
| D516 | 23 | Diode |
| E502 | 8 | Control unit automatic gearbox ZF |
| E506 | 18 | Gearbox ZF |
| G12 | 64 | extra electrical panel |
| G502 | | Ground |
| G508 | 62 | electrical center |
| K500 | | Diagnostics socket |
| L503 | 70 | Symbol lighting retarder |
| O500 | 52 | Combination instrument |
| P2 | 28 | Central electric unit |
| R8 | 44 | stop light |
| R24 | 28 | reverse light |
| R520 | 21 | applied parking brake |
| R521 | 60 | brake light |
| R561 | 25 | retarder disengagement-ABS |
| R574 | 55 | High gearbox temp. |
| S43 | 2 | retarder |
| S516 | 46 | diagnostics gearbox |
| S520 | 3 | gear selector |
| S525 | 29 | |
| S526 | 36 | ret. brake pedal on/off |
| T505 | 29 | Sensor oil temperature, gear box |
| T506 | 19 | Monitor applied rear brake |
| V76 | 51 | proportional |
| V502 | 45 | solenoid valve accumulator |

Additional or optional equipment
Dotted cable Dotted detail

1452075