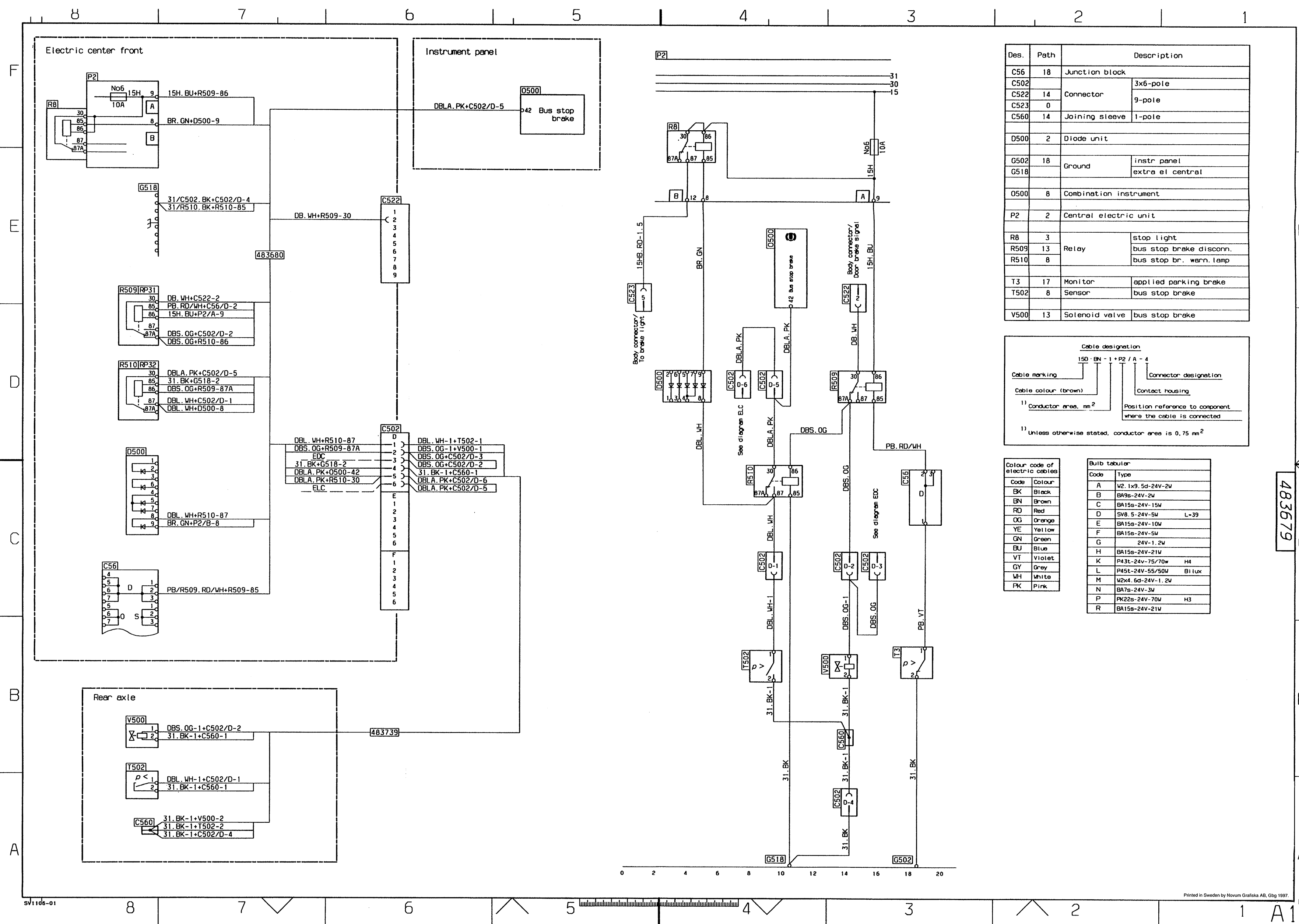


16:54-31

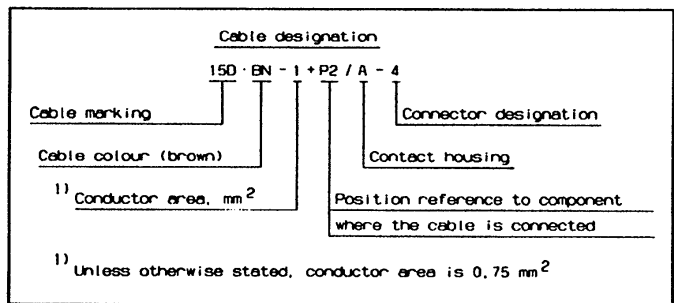
Edition 1

- Hållplatsbroms
- Bus Stop Brake
- Haltstellenbremse
- Halterem
- Frein d'arrêt temporaire
- Freno accionado por puerta abierta
- Freio de parada (Travão de paragem)
- Freno di fermata
- Pysäkkijarru

K/L/N



Des.	Path	Description
C56	18	Junction block
C502		3x6-pole
C522	14	Connector
C523	0	9-pole
C560	14	Joining sleeve
		1-pole
D500	2	Diode unit
G502	18	Ground
G518		instr panel extra el central
O500	8	Combination instrument
P2	2	Central electric unit
R8	3	stop light
R509	13	Relay
R510	8	bus stop brake disconn. bus stop br. warn. lamp
T3	17	Monitor
T502	8	Sensor
V500	13	Solenoid valve
		bus stop brake



Colour code of electric cables

Code	Colour
BK	Black
BN	Brown
RD	Red
OG	Orange
YE	Yellow
GN	Green
BU	Blue
VT	Violet
GY	Grey
WH	White
PK	Pink

Bulb tabular

Code	Type
A	W2. 1x9. 5d-24V-2W
B	BA9s-24V-2W
C	BA15s-24V-15W
D	SV8. 5-24V-5W L-39
E	BA15s-24V-10W
F	BA15s-24V-5W
G	24V-1.2W
H	BA15s-24V-21W
K	P43L-24V-75/70W H4
L	P45L-24V-55/50W BiLux
M	W2x4. 6d-24V-1.2W
N	BA7s-24V-3W
P	PK22s-24V-70W H3
R	BA15s-24V-21W

483679