

16:54-31

Edition 1

Hållplatsbroms

Bus Stop Brake

Haltstellenbremse

Halterem

Frein d'arrêt temporaire

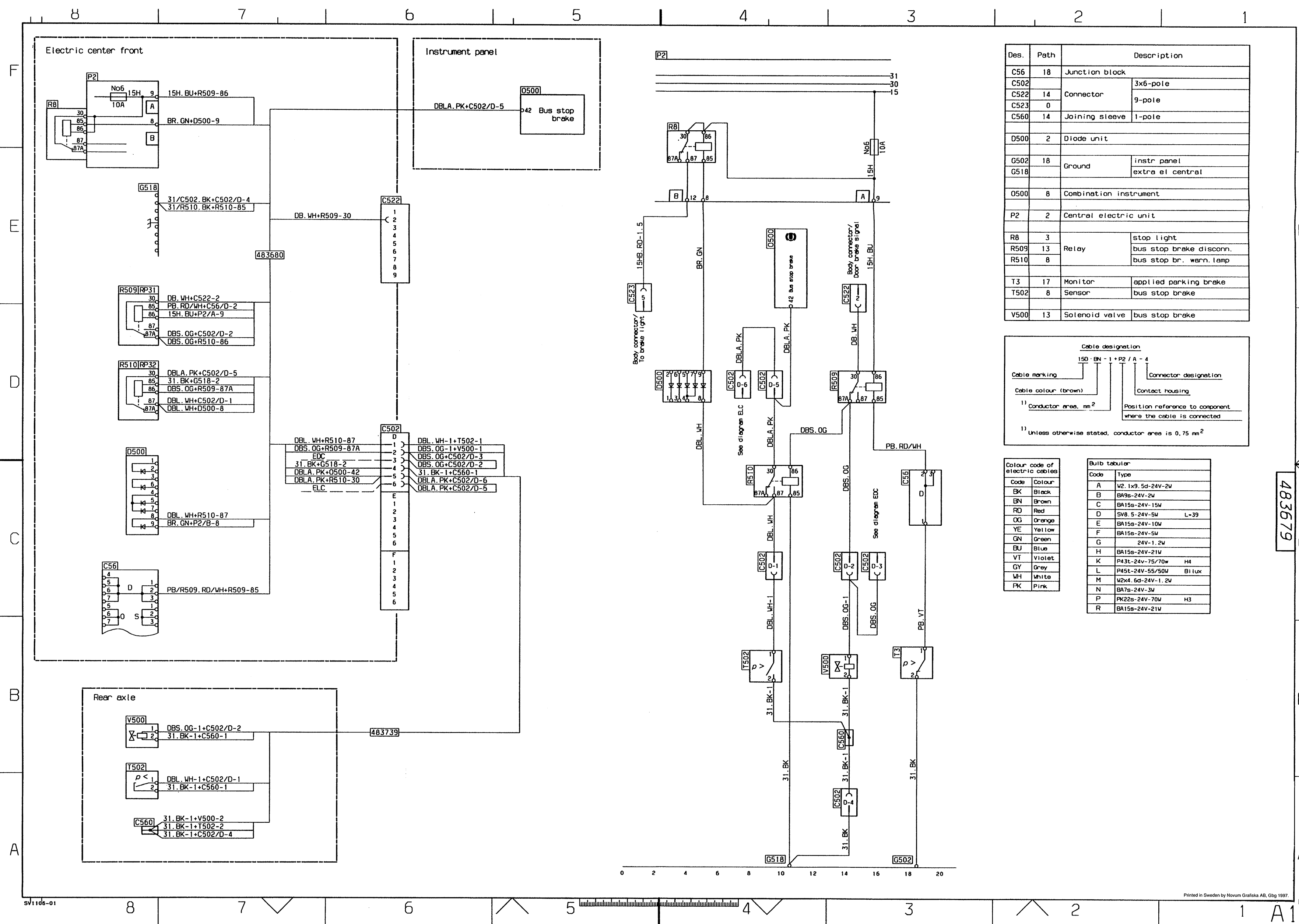
Freno accionado por puerta abierta

Freio de parada (Travão de paragem)

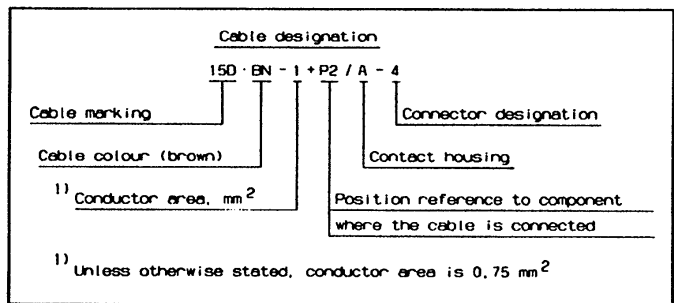
Freno di fermata

Pysäkkijarru

K/L/N



Des.	Path	Description
C556	18	Junction block
C502		Connector 3x6-pole
C522	14	Connector 9-pole
C523	0	Joining sleeve 1-pole
C560	14	Joining sleeve 1-pole
D500	2	Diode unit
G502	18	Ground instr panel
G518		Ground extra el central
O500	8	Combination instrument
P2	2	Central electric unit
R8	3	stop light
R509	13	Relay bus stop brake disconn.
R510	8	Relay bus stop br. warn. lamp
T3	17	Monitor applied parking brake
T502	8	Sensor bus stop brake
V500	13	Solenoid valve bus stop brake



Colour code of electric cables	
Code	Colour
BK	Black
BN	Brown
RD	Red
OG	Orange
YE	Yellow
GN	Green
BU	Blue
VT	Violet
GY	Grey
WH	White
PK	Pink

Bulb tabular	
Code	Type
A	W2. 1x9. 5d-24V-2W
B	BA9s-24V-2W
C	BA15s-24V-15W
D	SV8. 5-24V-5W L-39
E	BA15s-24V-10W
F	BA15s-24V-5W
G	24V-1. 2W
H	BA15s-24V-21W
K	P43L-24V-75/70W H4
L	P45L-24V-55/50W BiLux
M	W2x4. 6d-24V-1. 2W
N	BA7s-24V-3W
P	PK22s-24V-70W H3
R	BA15s-24V-21W

483679

cardiagn.com