

SCANIA

16:54-34

Edition 1

Gaspedalsblockerare

Accelerator pedal blocker

Fahrpedalsperre

Gaspedaalblokkering

Dispositif de blocage de pédale d'accélérateur

Dispositivo de bloqueo del pedal acelerador

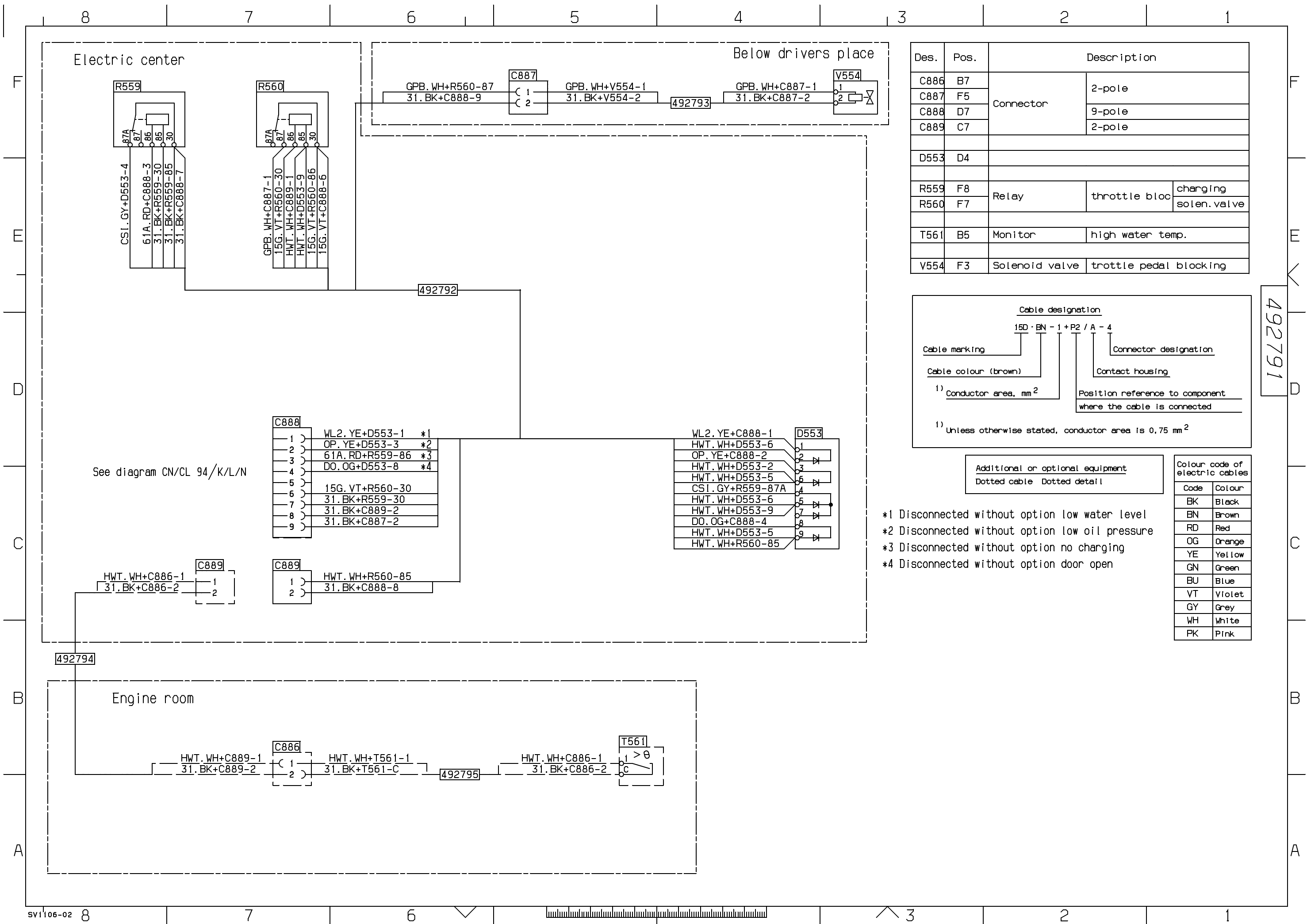
Bloqueador do pedal do acelerador

Dispositivo di bloccaggio pedale acceleratore

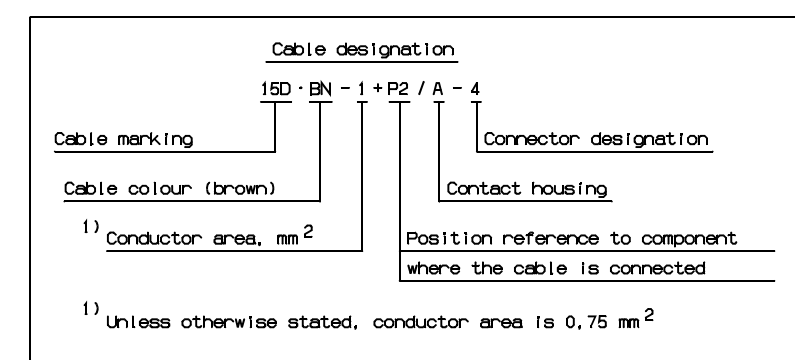
Kaasupolkimen estin

Blokada pedału przyspieszenia

**Förbindningschema, Wiring Diagram, Verbindungsplan,
Bedradingsschema, Schéma de câblage, Diagrama de
conexiones, Diagrama de conexões, Schema del collega-
menti, KytKentäkaavio, Schemat połączeń,**



Des.	Pos.	Description	
C886	B7	Connector	2-pole
C887	F5		9-pole
C888	D7		2-pole
C889	C7		2-pole
D553	D4		
R559	F8	Relay	throttle bloc charging
R560	F7		solen.valve
T561	B5	Monitor	high water temp.
V554	F3	Solenoid valve	trottle pedal blocking



Additional or optional equipment
Dotted cable Dotted detail

Colour code of electric cables	
Code	Colour
BK	Black
BN	Brown
RD	Red
OG	Orange
YE	Yellow
GN	Green
BU	Blue
VT	Violet
GY	Grey
WH	White
PK	Pink

- *1 Disconnected without option low water level
- *2 Disconnected without option low oil pressure
- *3 Disconnected without option no charging
- *4 Disconnected without option door open

492791