

16:54-35

Edition 1

Ledkontrollsystem, generation 3

Articulation control system, generation 3

Gelenkregelung, Generation 3

Scharniercontrolesysteem, generatie 3

Système de contrôle d'articulation, génération 3

Sistema de control de la articulación, generación 3

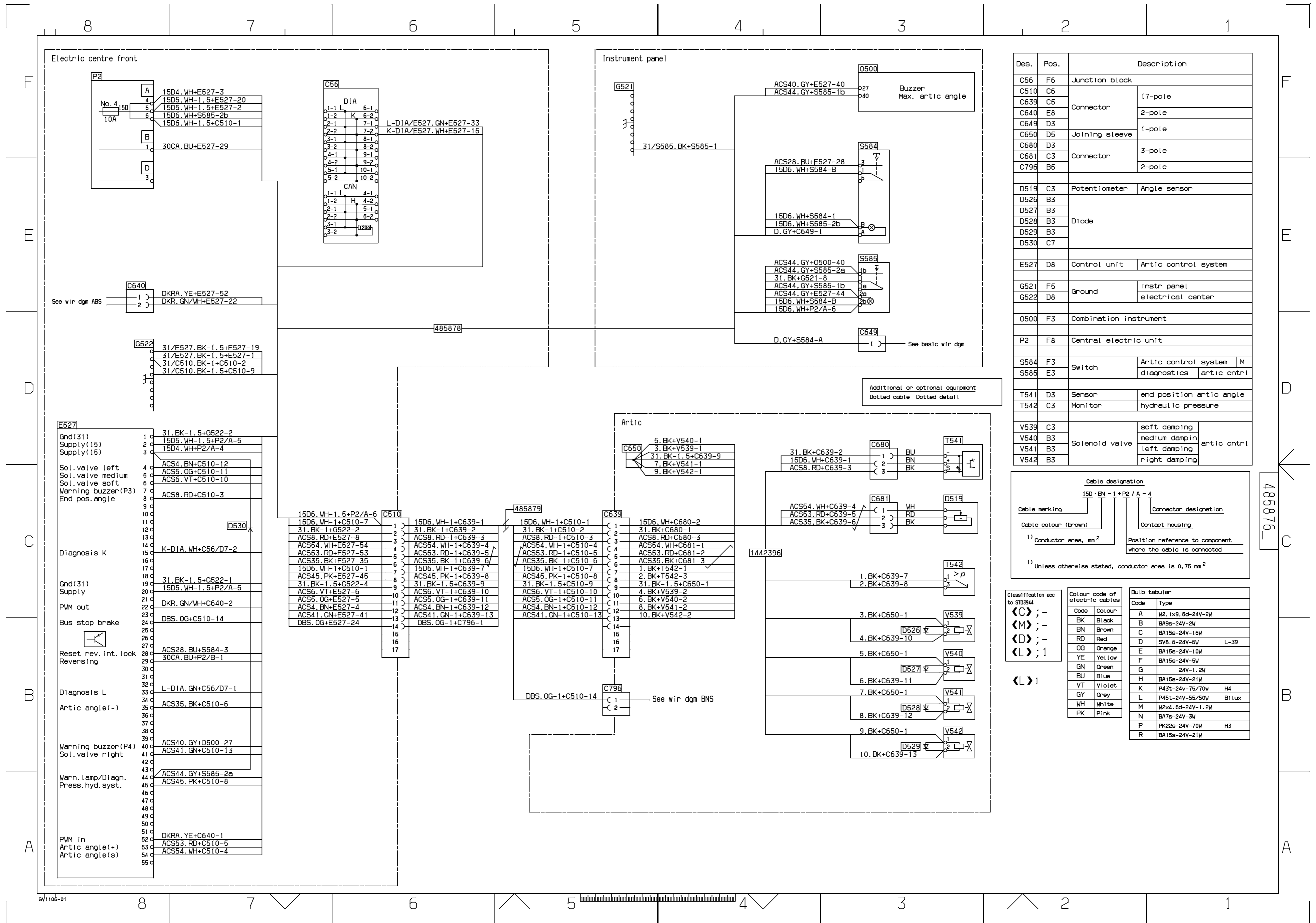
Sistema de controle de articulação, geração 3

Sistema controllo articolazione, generazione 3

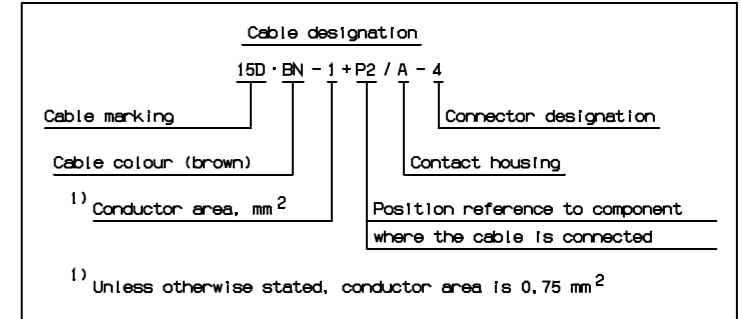
Nivelenohjausjärjestelmä, sukupolvi 3

Układ sterowania przegubem, pokolenie 3

Förbindningschema, Wiring Diagram, Verbindungsplan, Bedradingsschema, Schéma de câblage, Diagrama de conexiones, Diagrama de conexões, Schema del collegamento, Kytentäkaavio, Schemat połączeń



Des.	Pos.	Description	
C56	F6	Junction block	
C510	C6	Connector	17-pole
C639	C5		2-pole
C640	E8	Joining sleeve	1-pole
C649	D3		3-pole
C650	D5	Connector	2-pole
C680	D3		3-pole
C681	C3	Diode	1-pole
C796	B5		2-pole
D519	C3	Potentiometer	Angle sensor
D526	B3	Diode	
D527	B3		
D528	B3		
D529	B3		
D530	C7		
E527	D8	Control unit	Artic control system
G521	F5	Ground	instr panel
G522	D8		electrical center
O500	F3	Combination instrument	
P2	F8	Central electric unit	
S584	F3	Switch	Artic control system M
S585	E3		diagnostics artic cntrl
T541	D3	Sensor	end position artic angle
T542	C3	Monitor	hydraulic pressure
V539	C3	Solenoid valve	soft damping
V540	B3		medium dampin artic cntrl
V541	B3		left damping
V542	B3		right damping



Classification acc to ST03944		Colour code of electric cables		Bulb tabular	
Code	Colour	Code	Colour	Code	Type
<C>	Black	A	Black	A	W2, 1x9, 5d-24V-2W
<M>	Brown	B	Black	B	BA9s-24V-2W
<D>	Red	C	Brown	C	BA15s-24V-15W
<L>	Orange	D	Red	D	SV8, 5-24V-5W L-39
	Yellow	E	Orange	E	BA15s-24V-10W
	Green	F	Yellow	F	BA15s-24V-5W
	Blue	G	Green	G	24V-1,2W
	Violet	H	Blue	H	BA15s-24V-21W
	Grey	K	Violet	K	P43t-24V-75/70W H4
	White	L	Grey	L	P45t-24V-55/50W B1lux
	Pink	M	White	M	W2x4, 6d-24V-1,2W
		N	Pink	N	BA7s-24V-3W
		P		P	PK22s-24V-70W H3
		R		R	BA15s-24V-21W