

# 16:54-40

Edition 1

**Ledkontrollsystem, generation 4**

**Articulation control system, generation 4**

**Gelenkregelung, Generation 4**

**Scharniercontrolesysteem, generatie 4**

**Système de contrôle d'articulation, génération 4**

**Sistema de control de la articulación, generación 4**

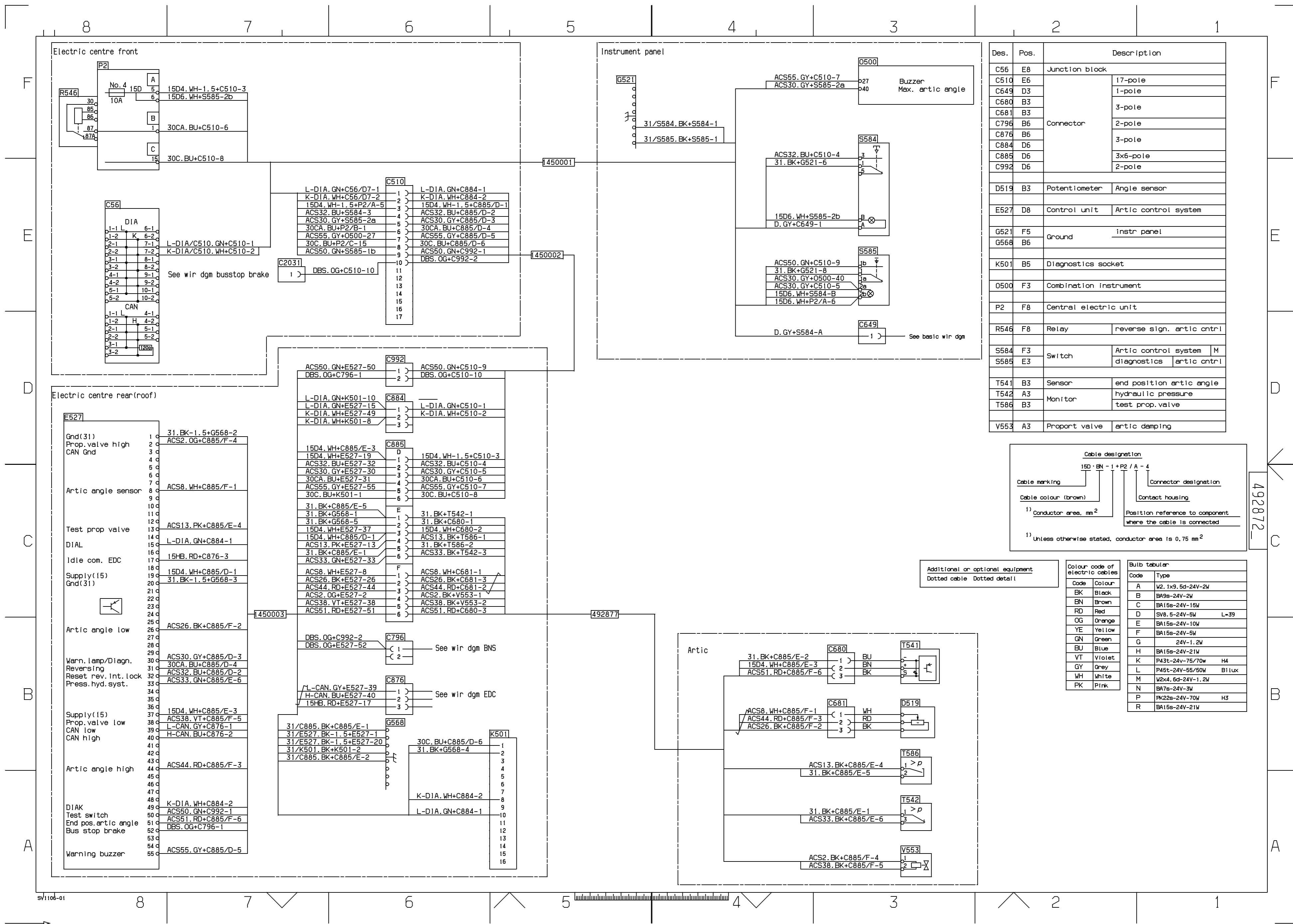
**Sistema de controle de articulação, geração 4**

**Sistema controllo articolazione, generazione 4**

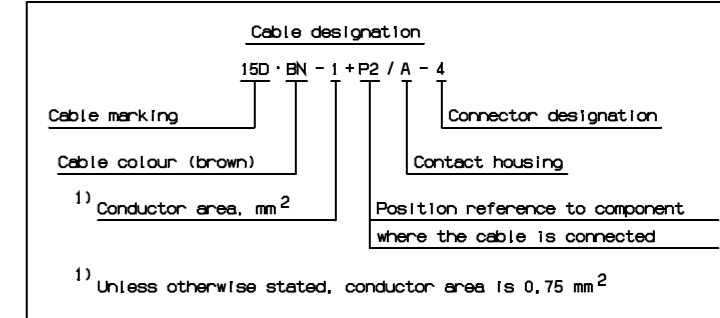
**Nivelenohjausjärjestelmä, sukupolvi 4**

**Układ sterowania przegubem, pokolenie 4**

**Förbindningschema, Wiring Diagram, Verbindungsplan, Bedradingsschema, Schéma de câblage, Diagrama de conexiones, Diagrama de conexões, Schema del collegamento, Kytentäkaavio, Schemat połączeń**



Des.	Pos.	Description	
C56	E8	Junction block	
C510	E6		17-pole
C649	D3		1-pole
C681	B3		3-pole
C796	B6	Connector	2-pole
C876	B6		3-pole
C884	D6		3x6-pole
C885	D6		2-pole
C992	D6		
D519	B3	Potentiometer	Angle sensor
E527	D8	Control unit	Artic control system
G521	F5	Ground	Instr panel
G568	B6		
K501	B5	Diagnostics socket	
O500	F3	Combination instrument	
P2	F8	Central electric unit	
R546	F8	Relay	reverse sign. artic cntrl
S584	F3	Switch	Artic control system
S585	E3		diagnostics artic cntrl
T541	B3	Sensor	end position artic angle
T542	A3	Monitor	hydraulic pressure
T586	B3		test prop.valve
V553	A3	Proport valve	artic damping



Additional or optional equipment  
Dotted cable Dotted detail

Code	Colour
BK	Black
BN	Brown
RD	Red
OG	Orange
YE	Yellow
GN	Green
BU	Blue
VT	Violet
GY	Grey
WH	White
PK	Pink

Code	Type
A	W2. 1x9. 5d-24V-2W
B	BA9e-24V-2W
C	BA15e-24V-15W
D	SV8. 5-24V-5W L-39
E	BA15e-24V-10W
F	BA15e-24V-5W
G	24V-1.2W
H	BA15e-24V-21W
K	P43t-24V-75/70w H4
L	P45t-24V-55/50W B1lux
M	W2x4. 6d-24V-1.2W
N	BA7e-24V-3W
P	PK22e-24V-70W H3
R	BA15e-24V-21W