

SCANIA

16:54-43

Edition 1

Luftjädring

Air Suspension

Luftfederung

Luchtvering

Suspension pneumatique

Suspensión neumática

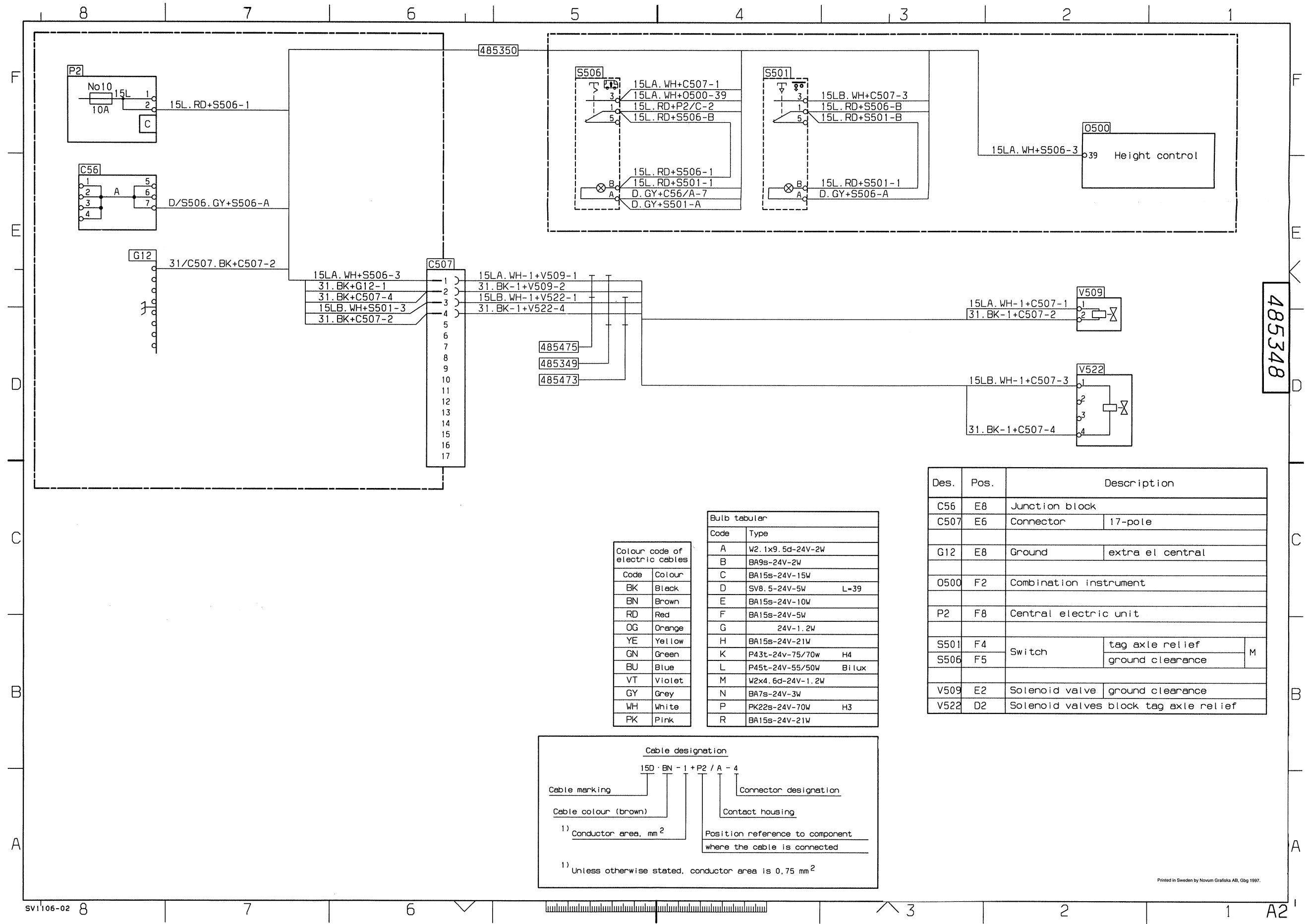
Suspensão pneumática

Sospensioni pneumatiche

Ilmajousitus

**Förbindningschema, Wiring Diagram, Verbindungsplan,
Bedradingschema, Schéma de réalisation, Diagrama de
conexiones, Diagrama de conexões, Schema dei collega-
menti, KytKentäkaavio**

K/L



485348

Code	Colour
BK	Black
BN	Brown
RD	Red
OG	Orange
YE	Yellow
GN	Green
BU	Blue
VT	Violet
GY	Grey
WH	White
PK	Pink

Code	Type
A	W2. 1x9. 5d-24V-2W
B	BA9s-24V-2W
C	BA15s-24V-15W
D	SV8. 5-24V-5W L=39
E	BA15s-24V-10W
F	BA15s-24V-5W
G	24V-1. 2W
H	BA15s-24V-21W
K	P43t-24V-75/70w H4
L	P45t-24V-55/50W Bilux
M	W2x4. 6d-24V-1. 2W
N	BA7s-24V-3W
P	PK22s-24V-70W H3
R	BA15s-24V-21W

Des.	Pos.	Description
C56	E8	Junction block
C507	E6	Connector 17-pole
G12	E8	Ground extra el central
O500	F2	Combination instrument
P2	F8	Central electric unit
S501	F4	Switch tag axle relief
S506	F5	Switch ground clearance
V509	E2	Solenoid valve ground clearance
V522	D2	Solenoid valves block tag axle relief

