

16:54-44

Edition 1

ELC

Elektroniskt styrd luftfjädring

Electronic Level Control

Elektronisch gesteuerte Luftfederung

Elektronisch geregelde luchtvering

Suspension pneumatique à commande électronique

Suspensión neumática de control electrónico

Suspensão pneumática controlada eletronicamente

Sospensioni pneumatiche a controllo elettronico

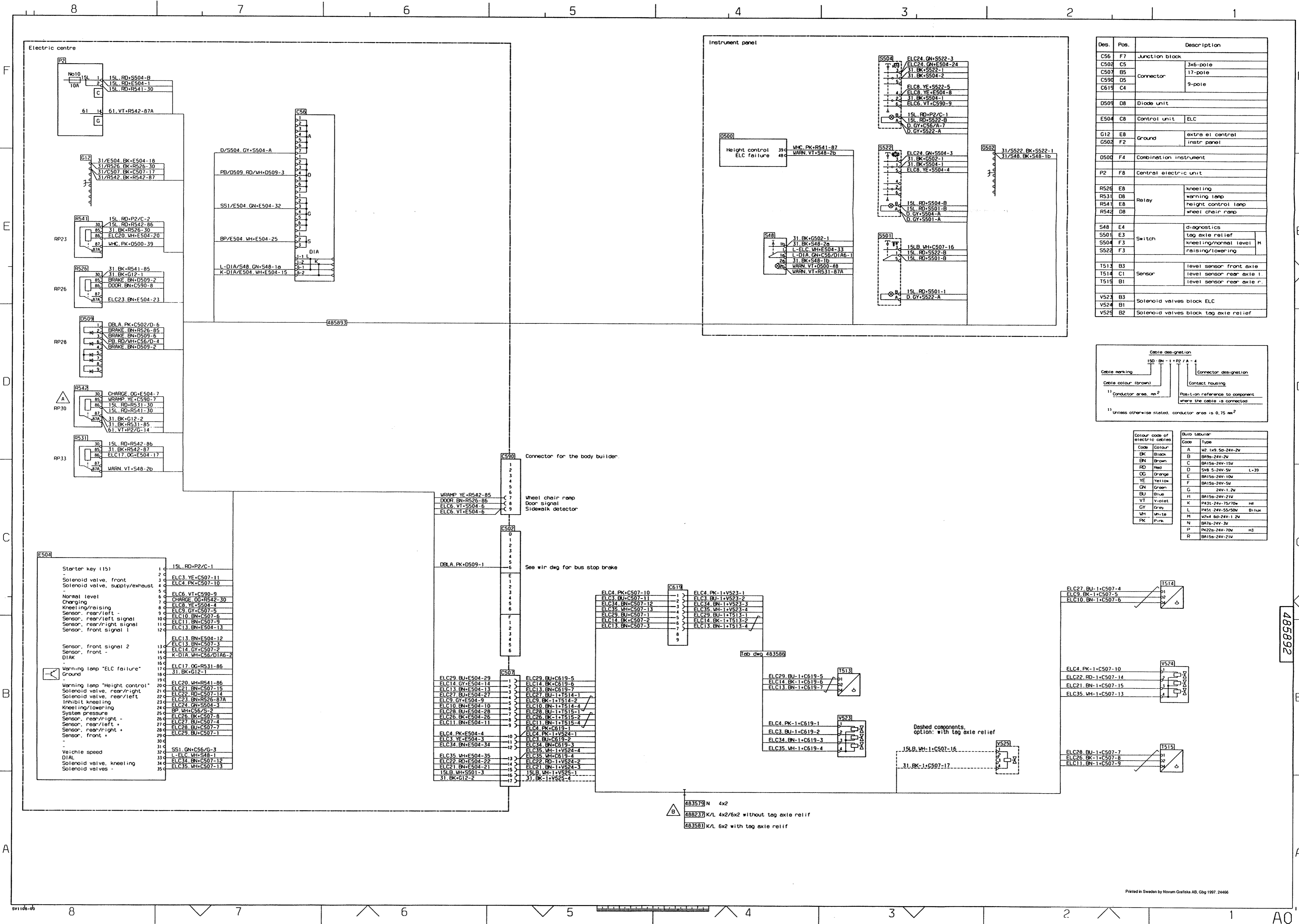
Elektronisesti ohjattu ilmajousitus

Elektroniczne sterowanie poziomem podwozia

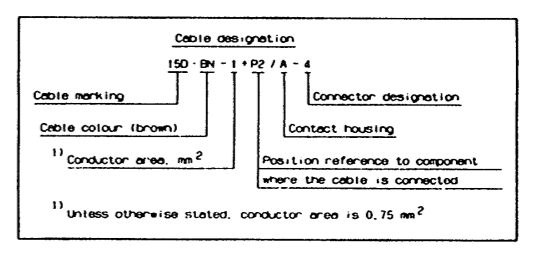
Ej Scaniakarosserad, Not Scania bodied, Karosserieaufbau nicht durch Scania ausgeführt, Carrosseriebouw door derden, Carrosserie non d'origine, No carrozado por Scania, Carroceria não Scania, Non carrozzati Scania, El Scanian rungolla varustettu, Autobus z nadwoziem nie Scanii

Förbindningschema, Wiring Diagram, Verbindungsplan, Bedradingschema, Schéma de câblage, Diagrama de conexiones, Diagrama de conexões, Schema del collegamenti, Kytäntäkaavio, Schemat połączeń

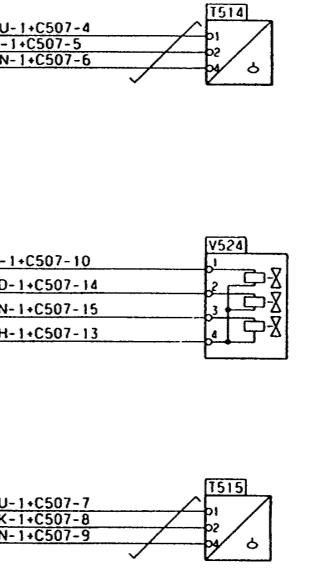
K/L/N



Des.	Pos.	Description	
C56	F7	Junction block	
C502	C5	Connector	
C507	B5	3x6-pole	
C590	D5	17-pole	
C619	C4	9-pole	
D509	D8	Diode unit	
E504	C8	Control unit	ELC
G12	E8	Ground	extra el. central instr. panel
G502	F2	Ground	
O500	F4	Combination instrument	
P2	F8	Central electric unit	
R526	E8	Relay	kneeling warning lamp
R531	D8	Relay	height control lamp
R541	E8	Relay	wheel chair ramp
R542	D8	Relay	wheel chair ramp
S48	E4	Switch	diagnostics
S501	E3	Switch	tag axle relief
S504	F3	Switch	kneeling/normal level
S522	F3	Switch	raising/lowering
T512	B3	Sensor	level sensor front axle
T514	C1	Sensor	level sensor rear axle I
T515	B1	Sensor	level sensor rear axle r.
V523	B3	Solenoid valves block	ELC
V524	B1	Solenoid valves block	tag axle relief
V525	B2	Solenoid valves block	tag axle relief



Colour code of electric cables	Code	Colour	Code	Colour	Code	Type
BN	Brown	B	BA15	24V-24	B	BA15-24V-24
EN	Black	A	BA15	24V-15V	C	BA15-24V-15V
RD	Red	D	SV8	5-24V-5V	L-39	
OD	Orange	F	BA15	24V-10V	E	BA15-24V-10V
VE	Yellow	G	BA15	24V-5V	F	BA15-24V-5V
GN	Green	H	BA15	24V-2V	G	BA15-24V-2V
BU	Blue	I	BA15	24V-21V	H	BA15-24V-21V
VT	Violet	K	PA31	24V-75/70W	HA	
GY	Grey	L	PA51	24V-55/50W	BI flux	
WH	White	M	W24	60-24V-1 2W		
PK	Pink	N	BA15	24V-3V		
		P	PK22	24V-70W	H3	
		R	BA15	24V-21V		



483579 N 4x2
 488237 K/L 4x2/6x2 without tag axle relief
 483581 K/L 6x2 with tag axle relief