

**16:54-50**

Edition 1

**EDC MS6**

**Enhetsinsprutare**

**Unit Injector**

**Pumpe-Düse-Einheit**

**Eenheidsverstuivers**

**Unité injecteur complet**

**Inyectoros-bomba**

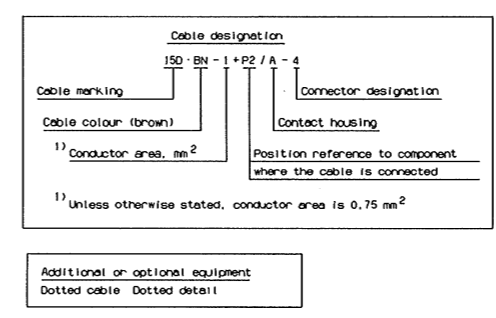
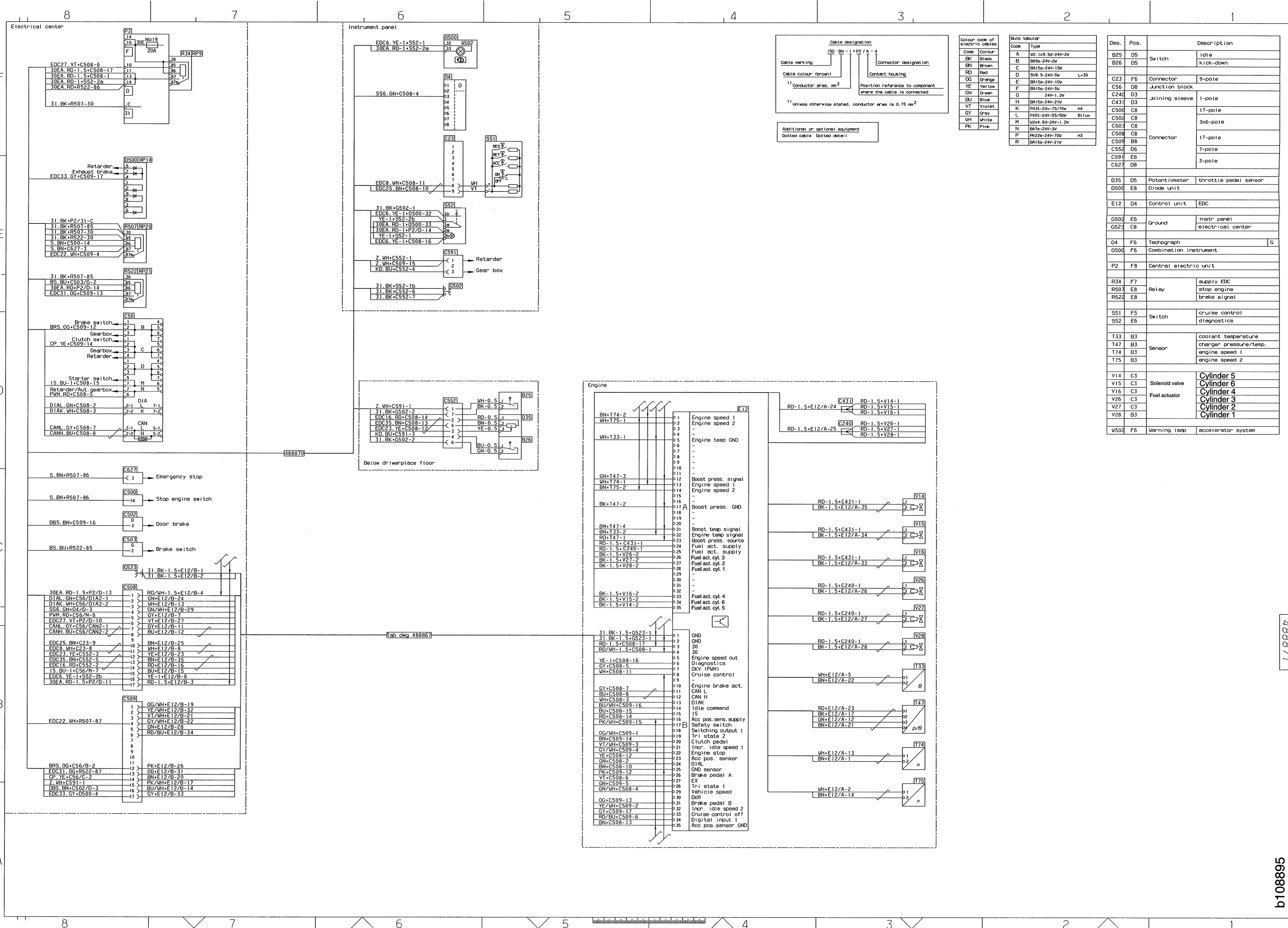
**Injector de unidade**

**Unità iniettori pompanti**

**Ruiskutinyksikko**

**Förbindningsschema, Wiring Diagram, Verbindungsplan,  
Bedradingsschema, Schéma de réalisation, Diagrama de  
conexiones, Diagrama de conexões, Schema dei collega-  
menti, Kytentäkaavio**

**K/L/N**



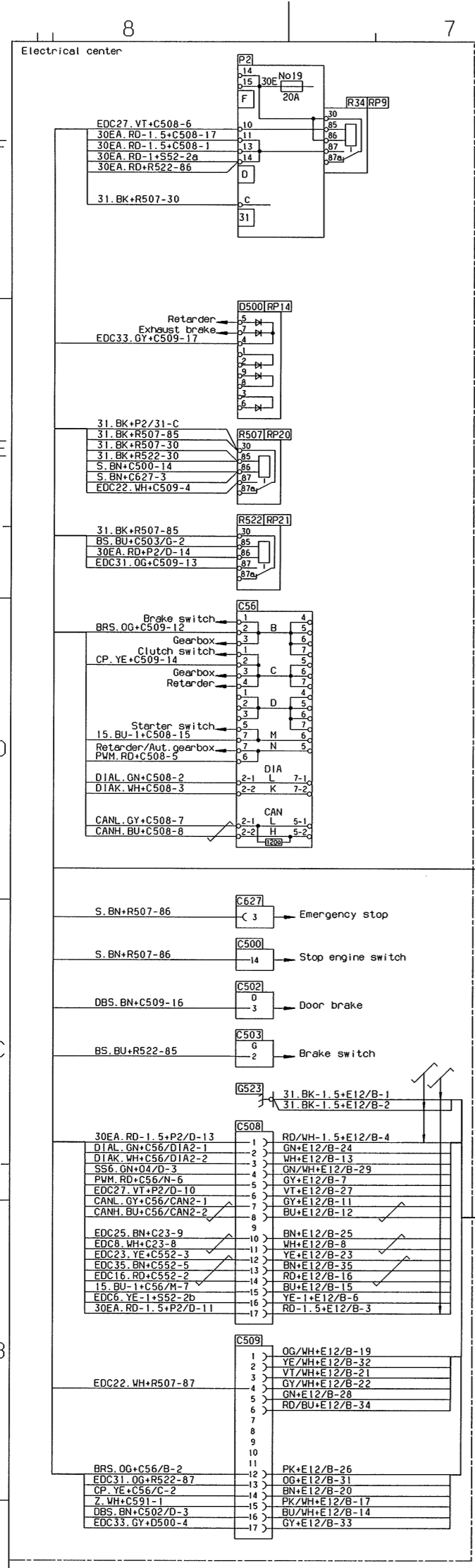
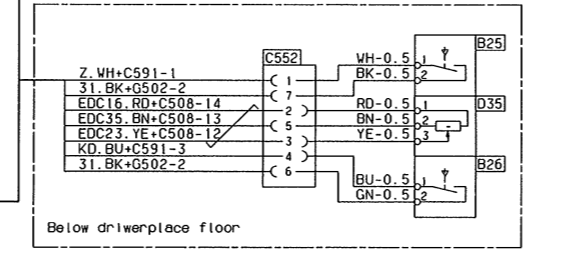
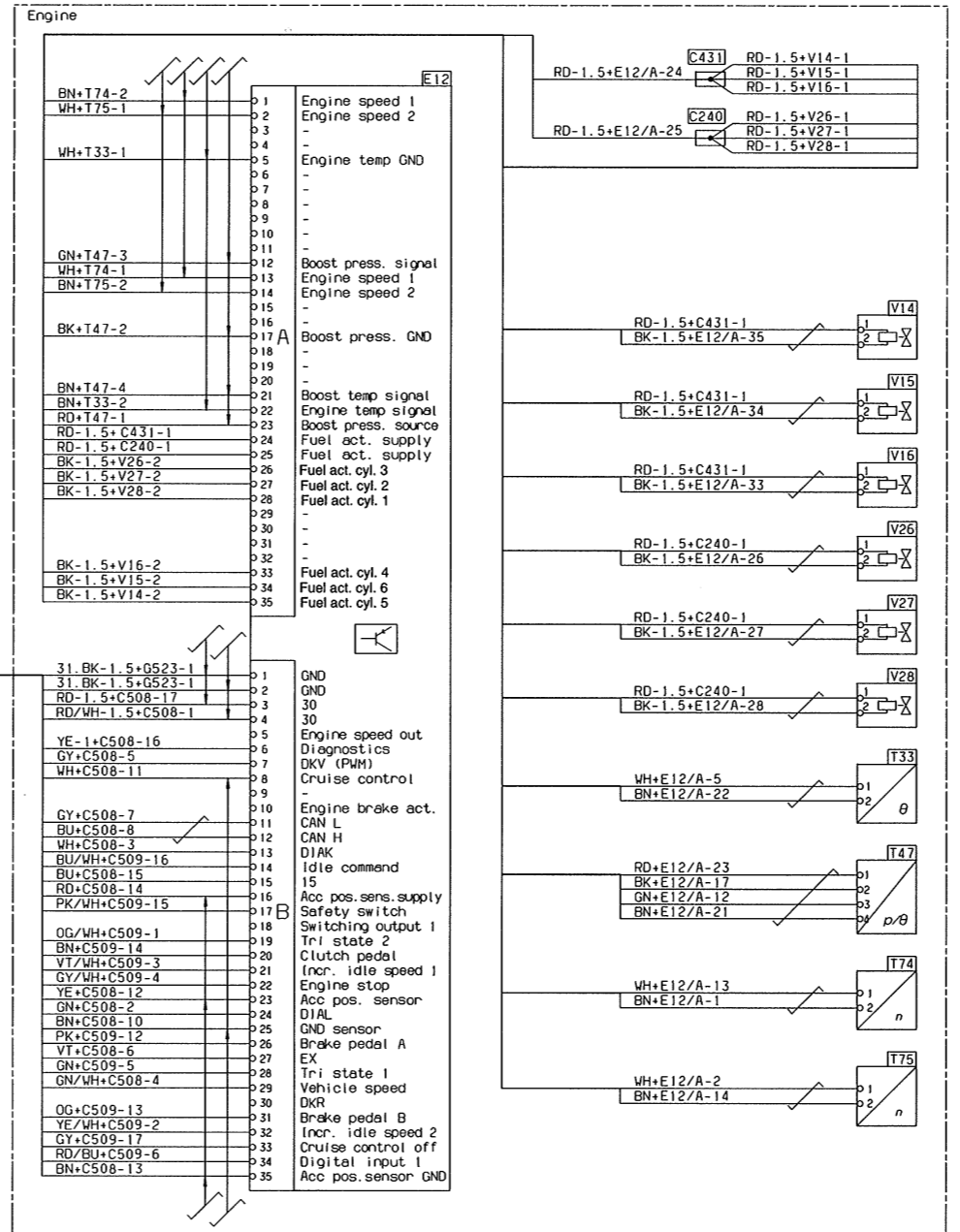
**Colour code of electric cables**

Code	Colour
BK	Black
BN	Brown
RD	Red
OG	Orange
YE	Yellow
GN	Green
BU	Blue
VT	Violet
GY	Grey
WH	White
PK	Pink

**Build table**

Code	Type
A	K2 1x3 50-24V-2W
B	000-24V-2W
C	BA15-24V-15W
D	SV8-5-24V-5W L-39
E	BA15-24V-10W
F	BA15-24V-5W
G	24V-1.2W
H	BA15-24V-21W
K	PA31-24V-75/70w H4
L	PA51-24V-55/50W B11ux
M	24V-50-24V-1.2W
N	BAT8-24V-3W
P	PK22-24V-70W H3
R	BA15-24V-21W

Des.	Pos.	Description
B25	D5	Switch idle
B26	D5	Switch kick-down
C23	F6	Connector 9-pole
C56	D8	Junction block
C240	D3	Joining sleeve 1-pole
C431	D3	Joining sleeve 1-pole
C500	C8	Connector 17-pole
C502	C8	Connector 3x6-pole
C503	C8	Connector 7-pole
C508	C8	Connector 17-pole
C509	B8	Connector 7-pole
C552	D6	Connector 3-pole
C627	D8	Connector 3-pole
D35	D5	Potentiometer throttle pedal sensor
D500	E8	Diode unit
E12	D4	Control unit EDC
O502	E6	Ground instr panel
O523	C8	Ground electrical center
O4	F6	Tachograph G
O500	F6	Combination instrument
P2	F8	Central electric unit
R34	F7	Relay supply EDC
R507	E8	Relay stop engine
R522	E8	Relay brake signal
S51	F5	Switch cruise control
S52	E6	Switch diagnostics
T33	B3	Sensor coolant temperature
T47	B3	Sensor changer pressure/temp.
T74	B3	Sensor engine speed 1
T75	B3	Sensor engine speed 2
V14	C3	Solenoid valve Cylinder 5
V15	C3	Solenoid valve Cylinder 4
V16	C3	Solenoid valve Cylinder 4
V26	C3	Fuel actuator Cylinder 3
V27	C3	Fuel actuator Cylinder 2
V28	B3	Fuel actuator Cylinder 1
U502	F6	Warning lamp accelerator system



488871

568801q