

SCANIA

16:54-54

Edition 1

SLD (Hastighetsbegränsare)

SLD (Speed Limiting Device)

SLD (Geschwindigkeitsbegrenzer)

SLD (Snelheidsbegrenzer)

SLD (Limiteur de vitesse)

SLD (Limitador de velocidad)

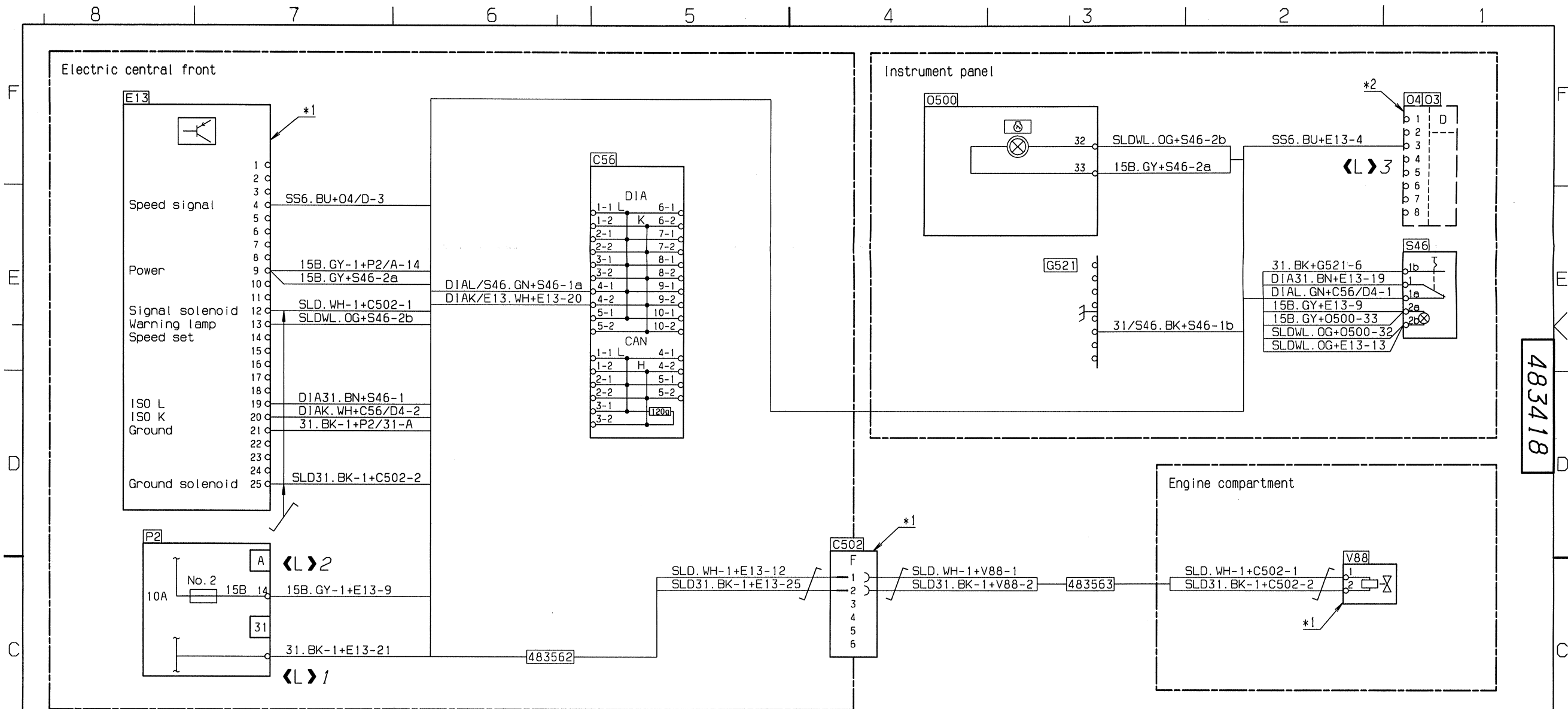
SLD (Limitador de velocidade)

SLD (Limitatore di velocità)

SLD (Nopeudenrajoitin)

**Förbindningschema, Wiring Diagram, Verbindungsplan,
Bedradingsschema, Schéma de réalisation, Diagrama de
conexiones, Diagrama de conexões, Schema dei collega-
menti, KytKentäkaavio**

K/L

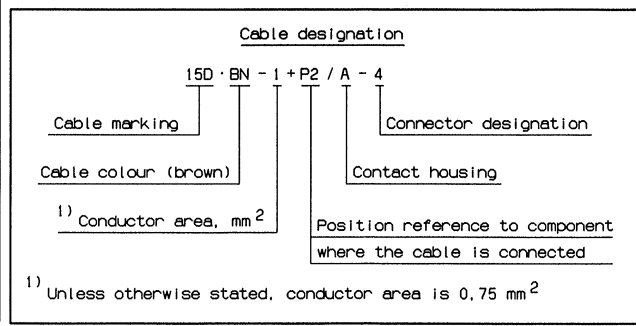


483418

Des.	Pos.	Description
C56	F5	Junction block
C502	D4	Connector 3x6-pole
E13	F8	Control unit
G521	E3	Ground instr panel
O3	F1	Speedometer
O4	F1	Tachograph
O500	F4	Combination instrument
P2	D8	Central electric unit
S46	E1	Switch diagnostics
V88	D2	Proport valve speed limiter

*1 Connections sealed with sealing wire and lead seal.
 *2 Connector sealed with sealing cover and sealing plug.

Colour code of electric cables	
Code	Colour
BK	Black
BN	Brown
RD	Red
OG	Orange
YE	Yellow
GN	Green
BU	Blue
VT	Violet
GY	Grey
WH	White
PK	Pink



Classification acc to STD 3944
 <C>; -
 <M>; -
 <D>; -
 <L>; 3