

SCANIA

16:54-57

Utgåva/Issue/Ausgabe/Uitgave/Edición/Edition/Edizione/Painos 1

Bränslevärmare

Fuel Heater

Kraftstoffwärmer

Brandstofverwarmer

Calentador de combustible

Rèchauffeur de carburant

Riscaldatore carburante

Polttoaineenlämmitin

8

7

6

5

4

3

2

1

F

E

D

C

B

A

F

E

D

C

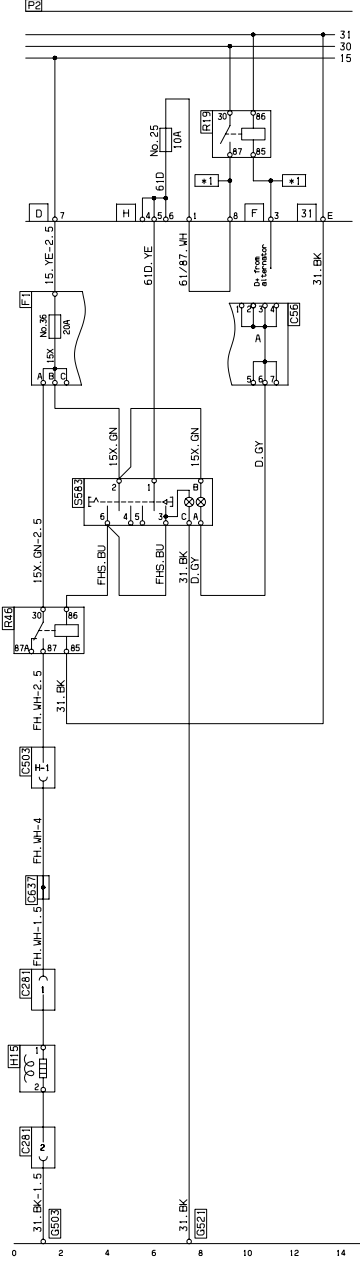
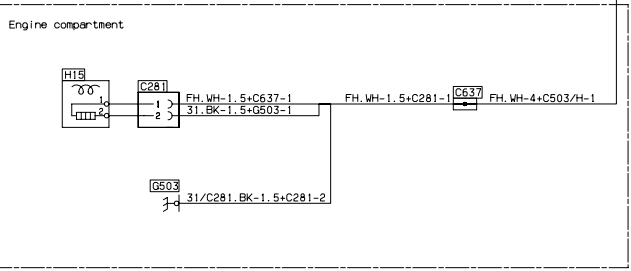
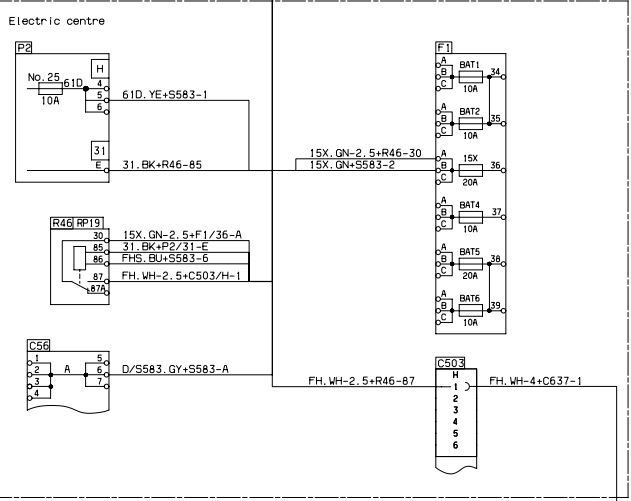
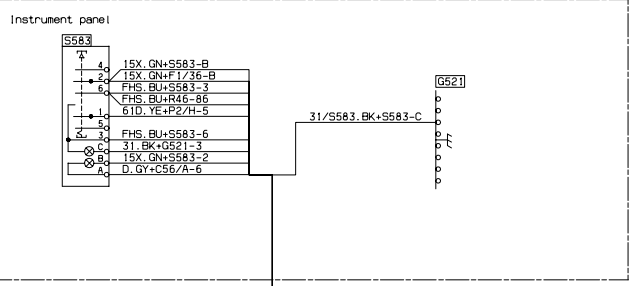
B

A

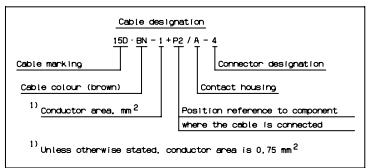
485332

52921

A1



Des.	Path	Description
C56	12	Junction block
C281		Connector 2-pole
C503	1	Connector 3x6-pole
C637	1	Joining sleeve 1-pole
F1	1	Fuse panel 6-pole
G503	2	Ground frame
G521	8	Ground Instr panel
H15	0	Heater fuel
P2	1	Central electric unit
R19	8	Relay supply alternator charging
R46	0	Relay fuel heater
S583	3	Switch Fuel heater M



Colour code of electric cables		Bulb tabular	
Code	Colour	Code	Type
BK	Black	A	W2, 1x9, 50-24V-2W
BN	Brown	B	BA9s-24V-2W
RD	Red	C	BA15s-24V-15W
OG	Orange	D	SV8, 5-24V-5W L-39
YE	Yellow	E	BA15s-24V-10W
GN	Green	F	BA15s-24V-5W
BU	Blue	G	24V-1.2W
VT	Violet	H	BA15s-24V-21W
GY	Grey	K	P43t-24V-75/70W H4
WH	White	L	P45t-24V-55/50W Bi Lux
PK	Pink	M	W24, 60-24V-1.2W
		N	BA7s-24V-3W
		P	PK22s-24V-70W H3
		R	BA15s-24V-21W

*1 See main circuit diagram.