

16:55-24

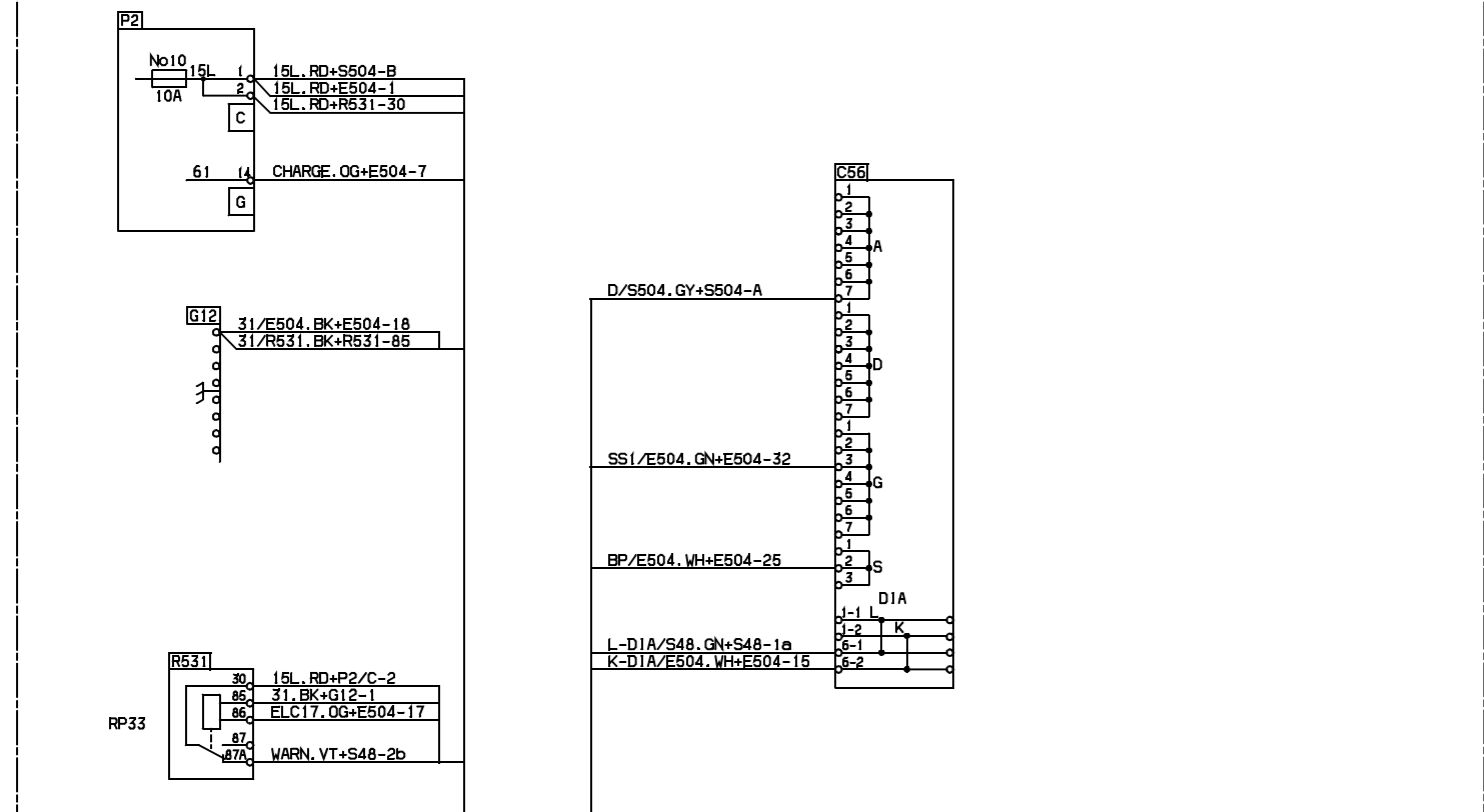
Edition 1

ELC

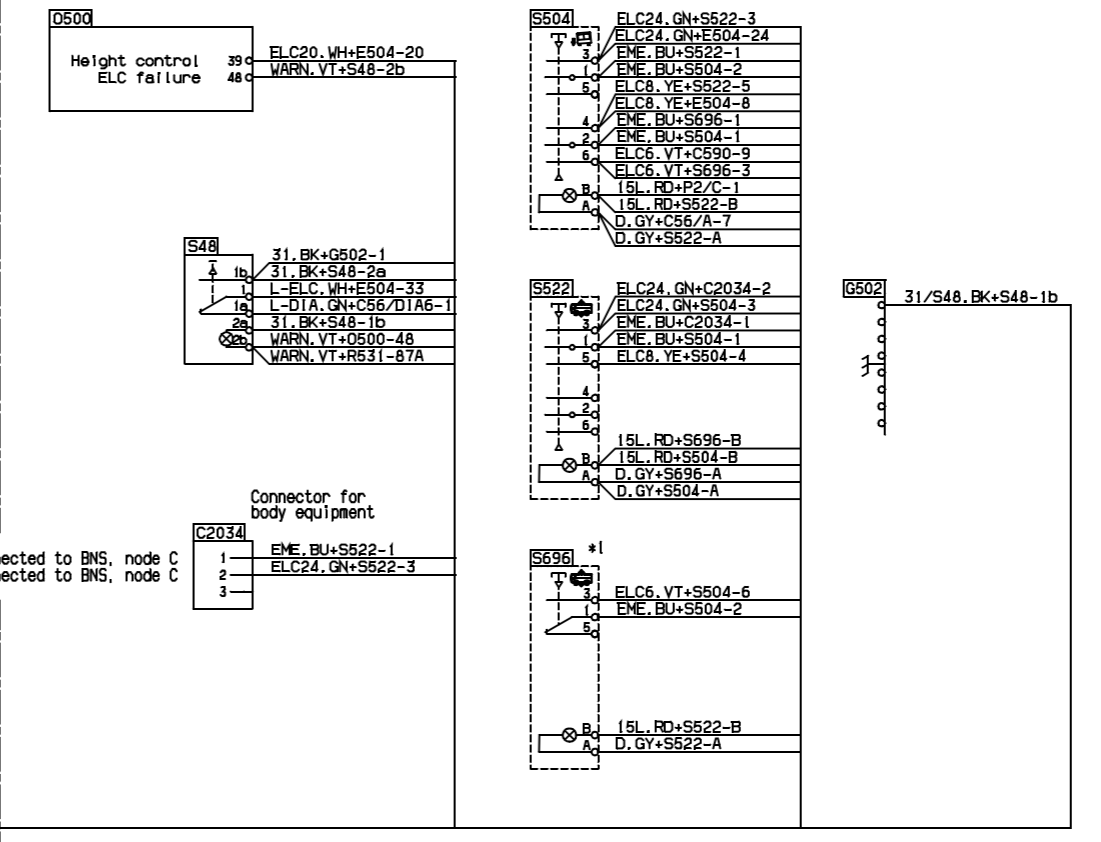
CL/CN94 4x2

From chassis No SBK 1 833 768

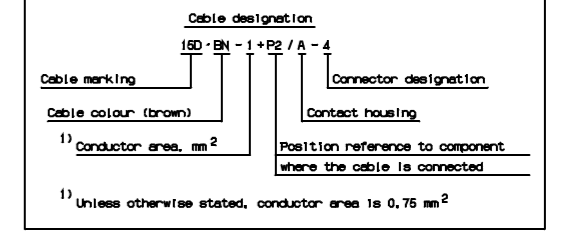
Electric centre



Instrument panel

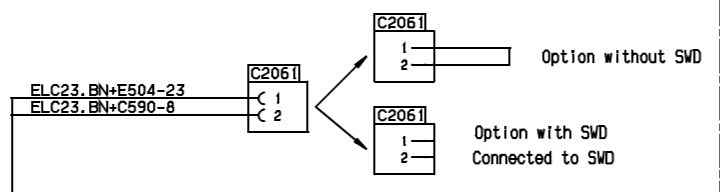


Des.	Pos.	Description	
C56	F7	Junction block	
C507	B5	Connector	
C590	D5		
C619	C4		
C2034	E4		
C2061	D6	2-pole	
E504	C8	Control unit ELC	
G12	E8	Ground extra el central	
G502	F2	Instr panel	
O500	F4	Combination instrument	
P2	F8	Central electric unit	
R531	E8	Relay ELC failure lamp	
S48	F4	diagnostic kneeling/normal level	
S504	F3	raising/lowering	
S522	F3	Normal level	
S596	E3	Sensor	
T513	B3		level sensor front axle
T514	C1		level sensor rear axle l.
T515	B1	level sensor rear axle r.	
V523	B3	Solenoid valves block ELC	
V524	B1	Solenoid valves block ELC	



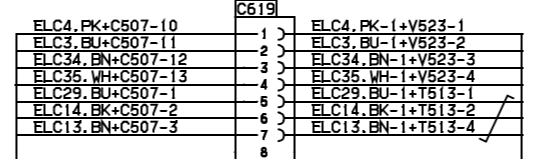
Colour code of electric cables		Bulb tabular	
Code	Colour	Code	Type
BK	Black	A	U2, 1x3, 6x-24V-2W
BN	Brown	B	BA9s-24V-2W
BR	Brown	C	BA16s-24V-15W
OG	Orange	D	BA6, 6-24V-8W L-39
YE	Yellow	E	BA16s-24V-10W
GN	Green	F	BA16s-24V-9W
BU	Blue	G	24V-1, 2W
VT	Violet	H	BA16s-24V-21W
GY	Grey	K	PA3L-24V-75/70W H4
WH	White	L	PA4L-24V-65/60W B1 Lux
PK	Pink	M	U24, 6x-24V-1, 2W
		N	BA7s-24V-3W
		P	PA2s-24V-70W H5
		R	BA16s-24V-21W

Classification acc to 53934
 <C> ; -
 <M> ; -
 <D> ; -
 <L> ; !

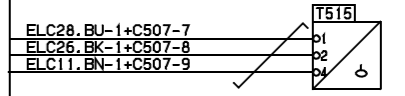
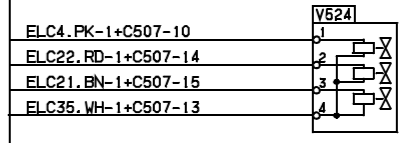
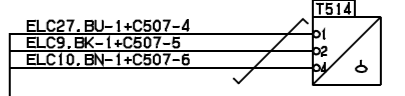
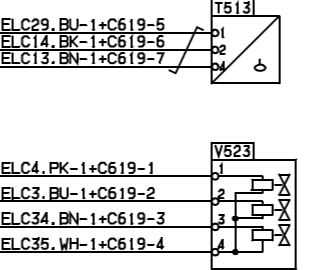


Connector for body equipment.

Inhibit kneeling - connected to the BNS system
 Sidewalk detector

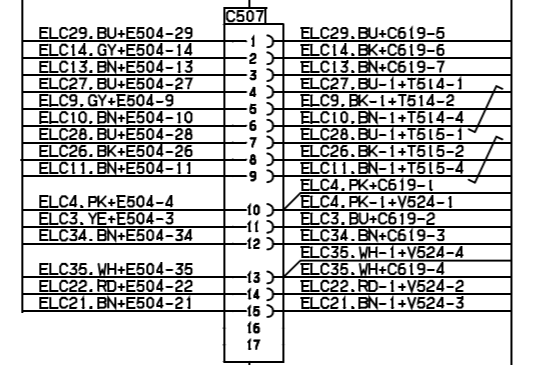


fab dno 483586



E504

Starter key (15)	1	15L, RD+P2/C-1
Solenoid valve, front	2	ELC3, VE+C507-11
Solenoid valve, supply/exhaust	3	ELC4, PK+C507-10
-	4	
Normal level	5	ELC6, VT+C590-9
Charging	6	CHARGE, OG+P2/G-14
Kneeling/raising	7	ELC8, YE+S504-4
Sensor, rear/left -	8	ELC9, GY+C507-5
Sensor, rear/left signal	9	ELC10, BN+C507-6
Sensor, rear/right signal	10	ELC11, BN+C507-9
Sensor, front signal 1	11	ELC13, BN+E504-13
-	12	
Sensor, front signal 2	13	ELC13, BN+E504-12
Sensor, front -	14	ELC14, GY+C507-9
DIAX	15	K-DIA, WH+C56/DIA6-2
Warning lamp "ELC failure"	16	ELC17, OG+R531-86
Ground	17	31, BK+G12-1
Warning lamp "Height control"	18	ELC20, WH+O500-39
Solenoid valve, rear/right	19	ELC21, BN+C507-15
Solenoid valve, rear/left	20	ELC22, RD+C507-14
Inhibit kneeling	21	ELC23, BN+C2061-1
Kneeling/lowering	22	ELC24, GN+S504-3
System pressure	23	RP, WH+S596-2
Sensor, rear/right -	24	ELC26, BK+C507-8
Sensor, rear/left +	25	ELC27, BU+C507-4
Sensor, rear/right +	26	ELC28, BU+C507-7
Sensor, front +	27	ELC29, BU+C507-1
-	28	
-	29	
-	30	
Velchite speed	31	SS1, GN+C56/G-3
DIAX	32	L-ELC, WH+S48-1
Solenoid valve, kneeling	33	ELC34, BN+C507-12
Solenoid valves -	34	ELC35, WH+C507-13



483579 CN94UB 4x2
 1454471 CL94UB 4x2

492185