

16:55-29

Edition 1

Tändsystem för naturgasmotor

Ignition system for natural gas engines

Zündanlage für Erdgasmotoren

Ontstekingsysteem voor aardgasmotoren

Système d'allumage pour moteurs au gaz naturel

Sistema de ignición para motores de gas natural

Sistema di accensione per motori a gas naturale

Sistema de ignição para motores a gás natural

Sytytysjärjestelmä maakaasumoottoreihin

Układ zapłonowy silników napędzanych gazem

Система зажигания для двигателей природного газа

8

7

6

5

4

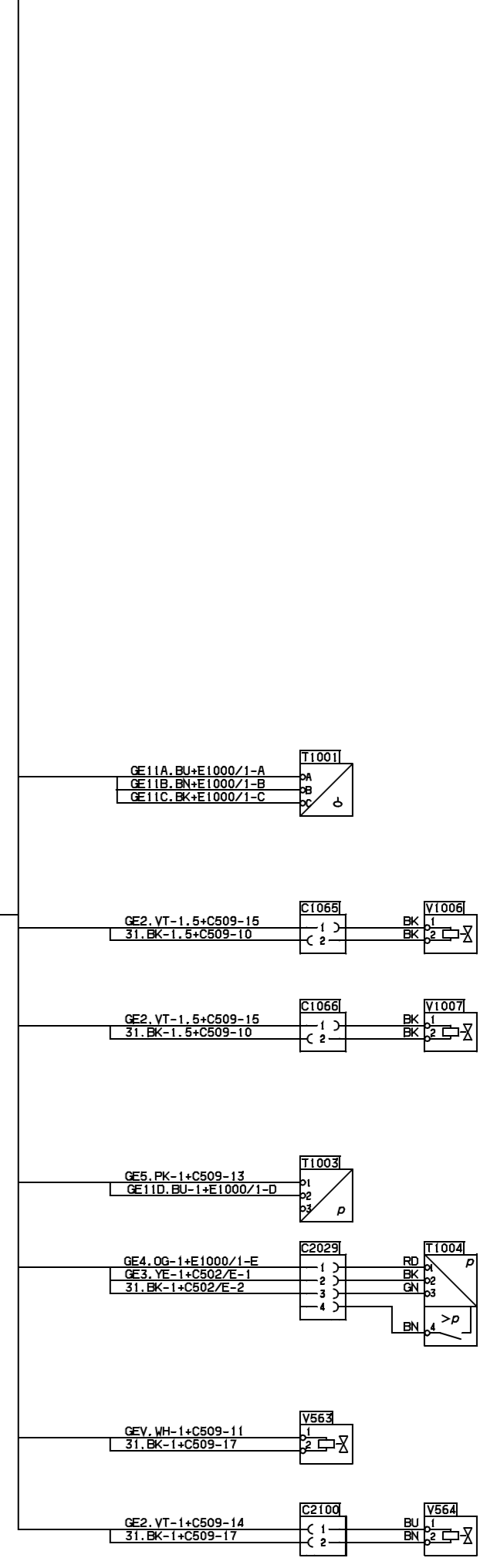
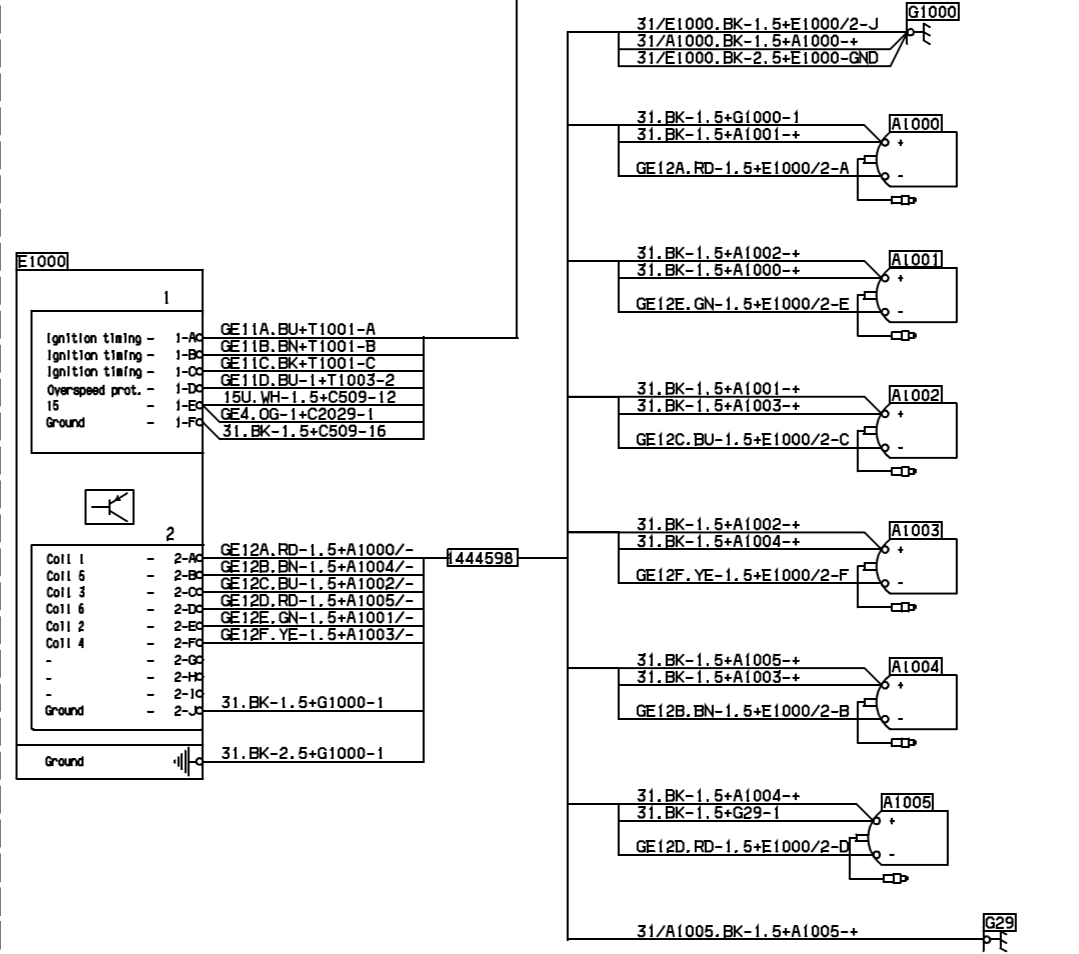
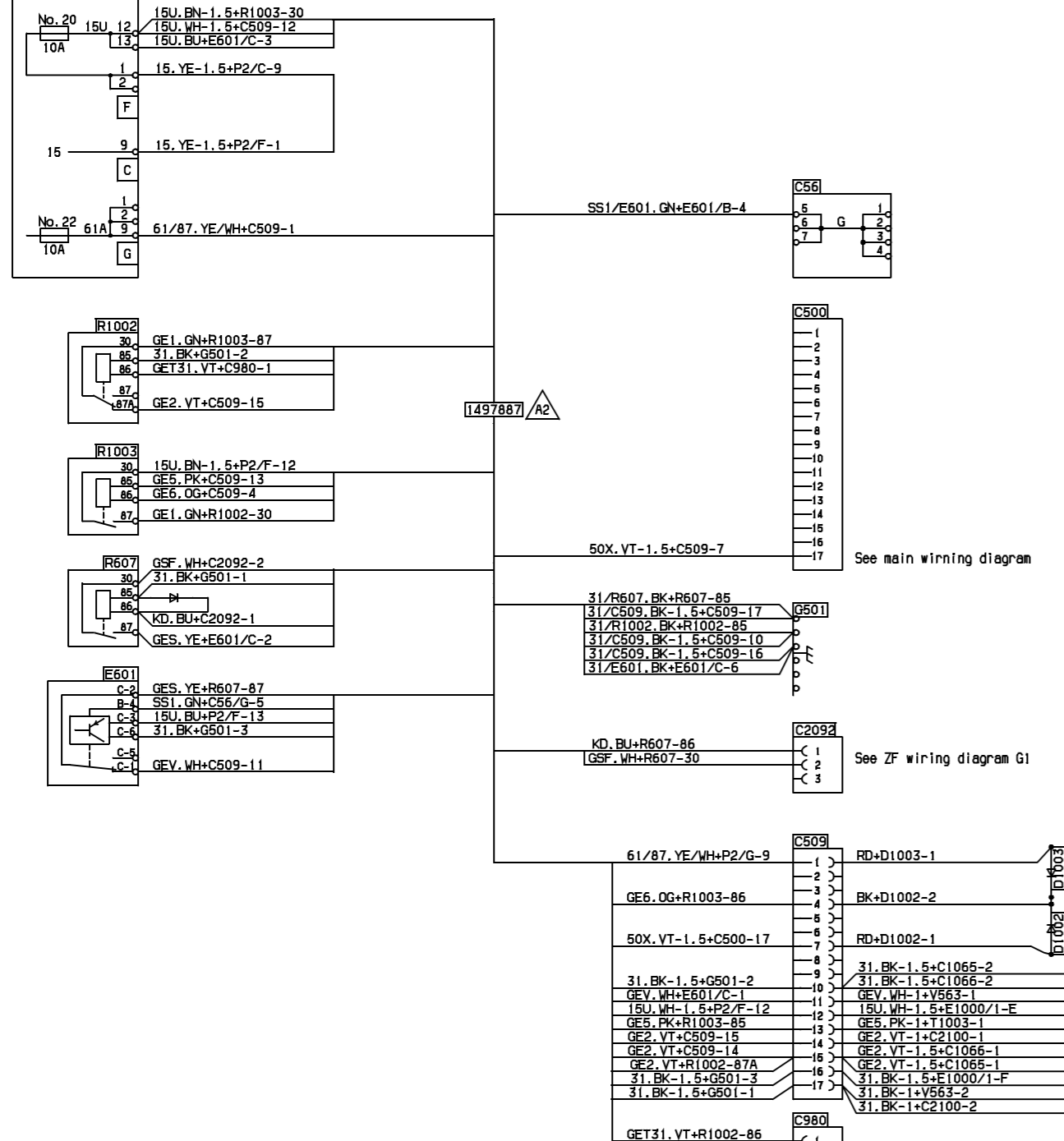
3

2

1

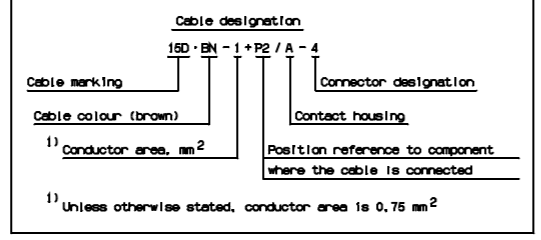
Electric center front

ENGINE



Des.	Pos.	Description
A1000	F2	Cylinder 1
A1001	E2	Cylinder 2
A1002	E2	Cylinder 3
A1003	E2	Cylinder 4
A1004	E2	Cylinder 5
A1005	D2	Cylinder 6
C500	F6	Junction block
C500	E6	17-pole
C502	C6	3x6-pole
C509	D6	17-pole
C980	C6	1-pole
C1065	D1	2-pole
C1066	C1	2-pole
C2029	C1	4-pole
C2029	D6	3-pole
C2100	B1	2-pole
D1002	D5	Diode
D1003	D5	Diode
E601	D8	Monitor
E1000	E4	Control unit
G29	D2	engine
G501	D6	Ground
G1000	F2	Engine
P2	F8	Central electric unit
R607	E8	Relay
R1002	E8	Relay
R1003	E8	Relay
T1001	D1	Sensor
T1002	C1	Sensor
T1003	C1	Sensor
T1004	C1	Sensor
V563	B1	Solenoid valve
V564	B1	Solenoid valve
V1006	D1	Solenoid valve
V1007	C1	Solenoid valve

Code	Colour
BK	Black
BN	Brown
RD	Red
OG	Orange
YE	Yellow
GN	Green
BU	Blue
VT	Violet
GY	Grey
WH	White
PK	Pink



Additional or optional equipment
Dotted cable Dotted detail

1478063

A0