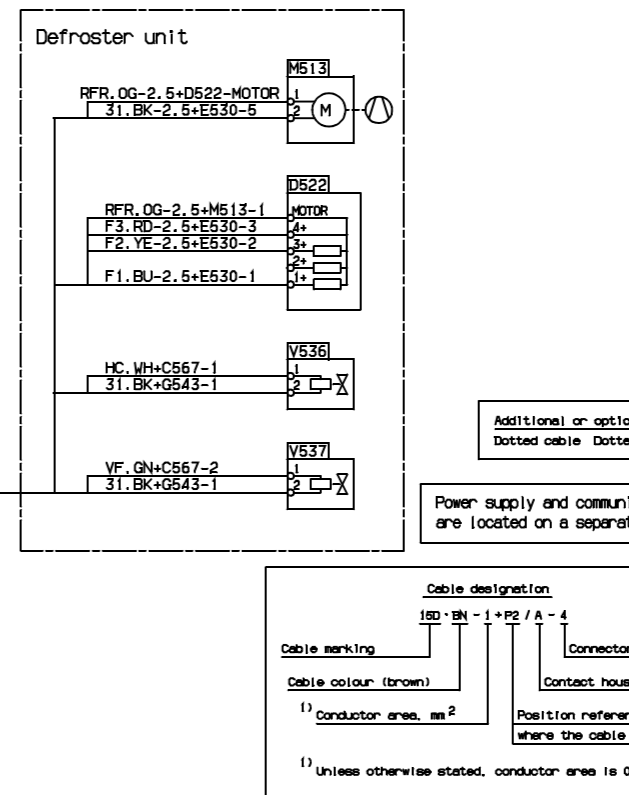
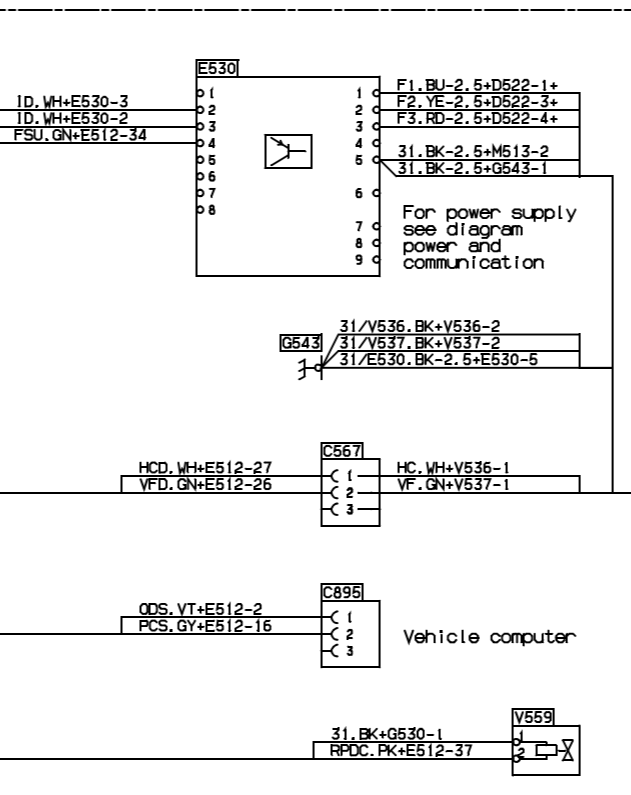
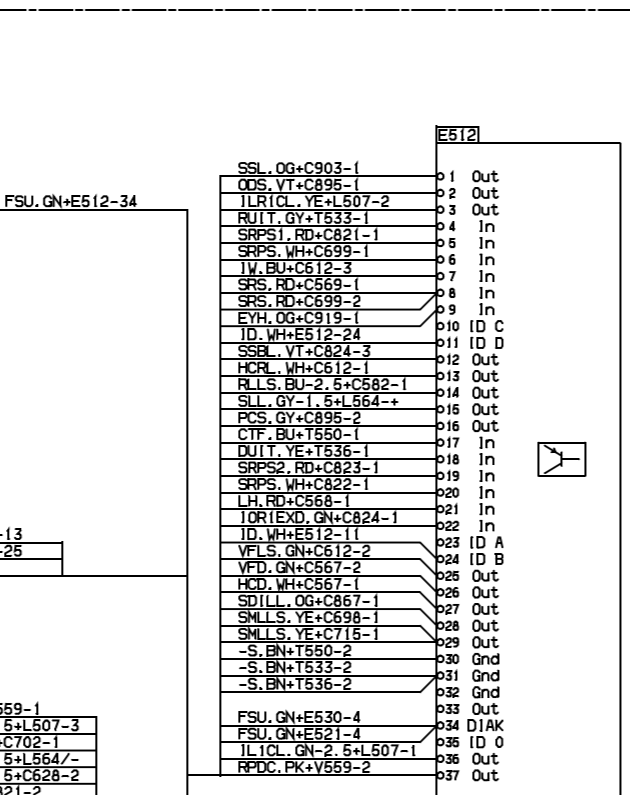
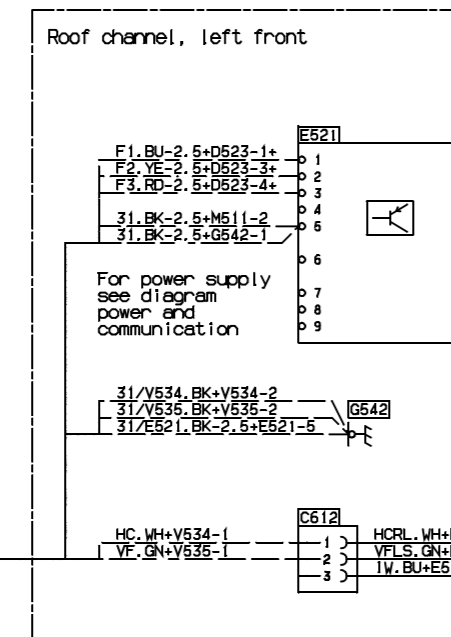
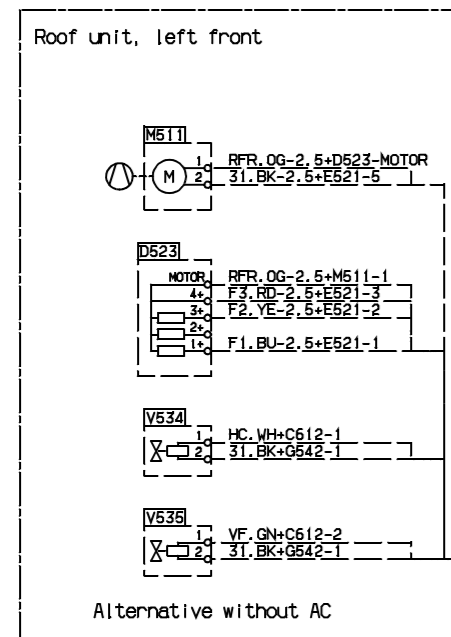
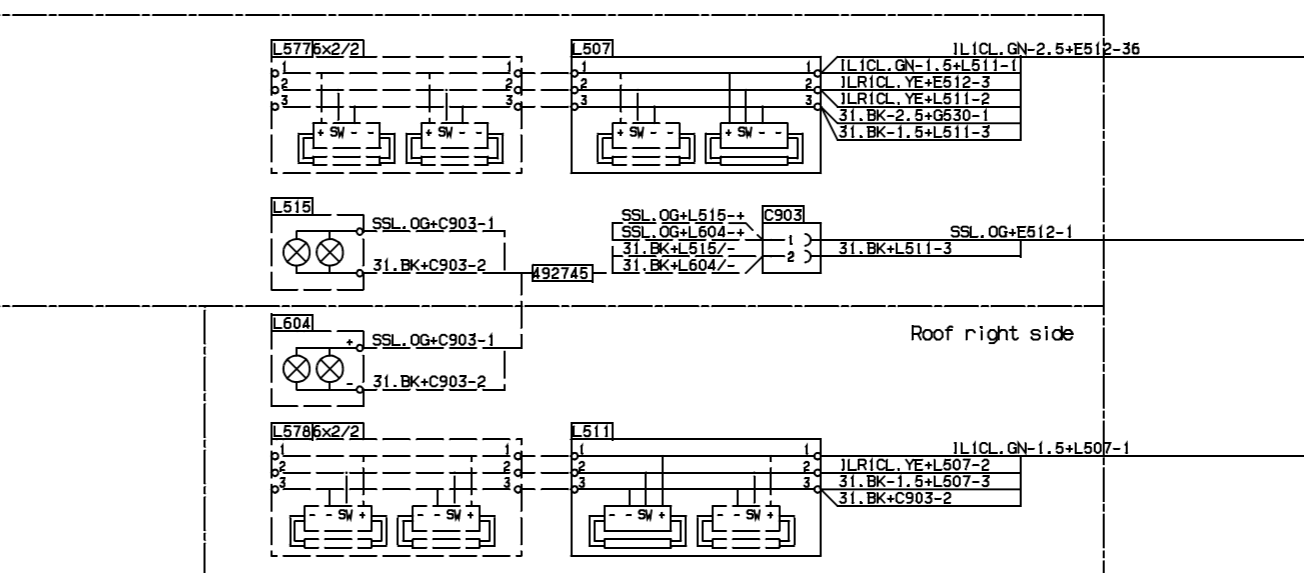
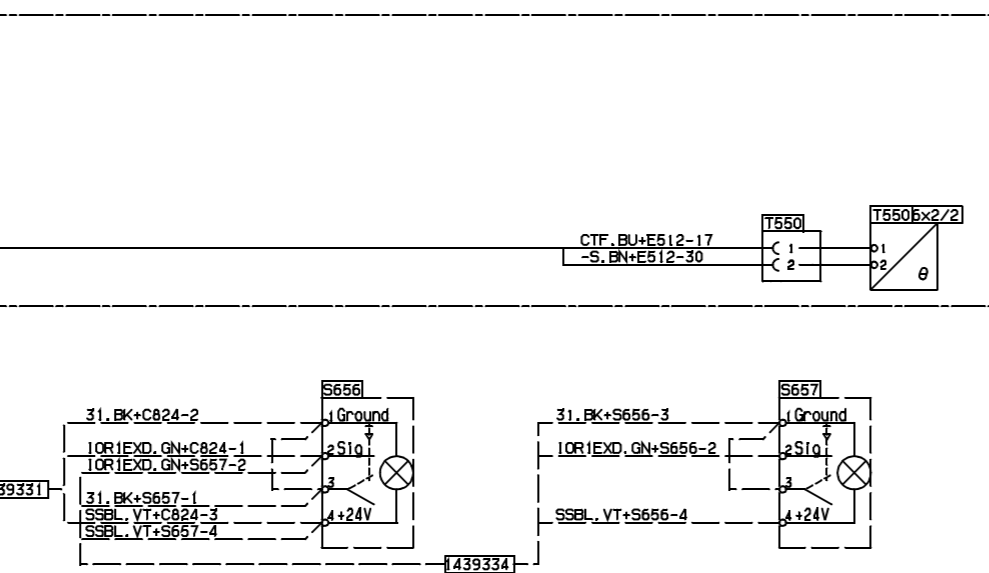
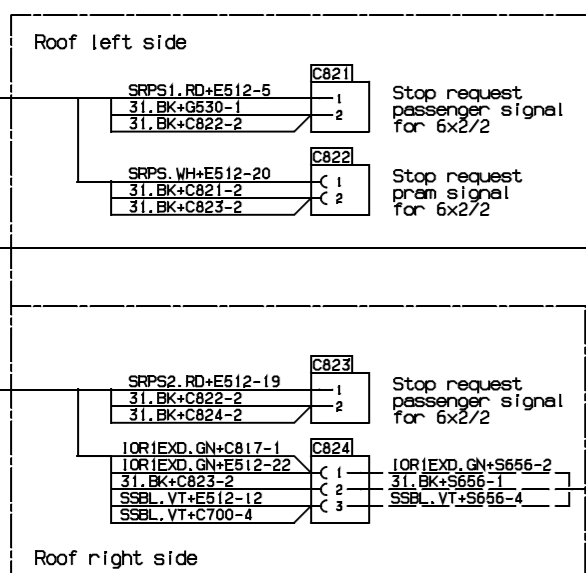
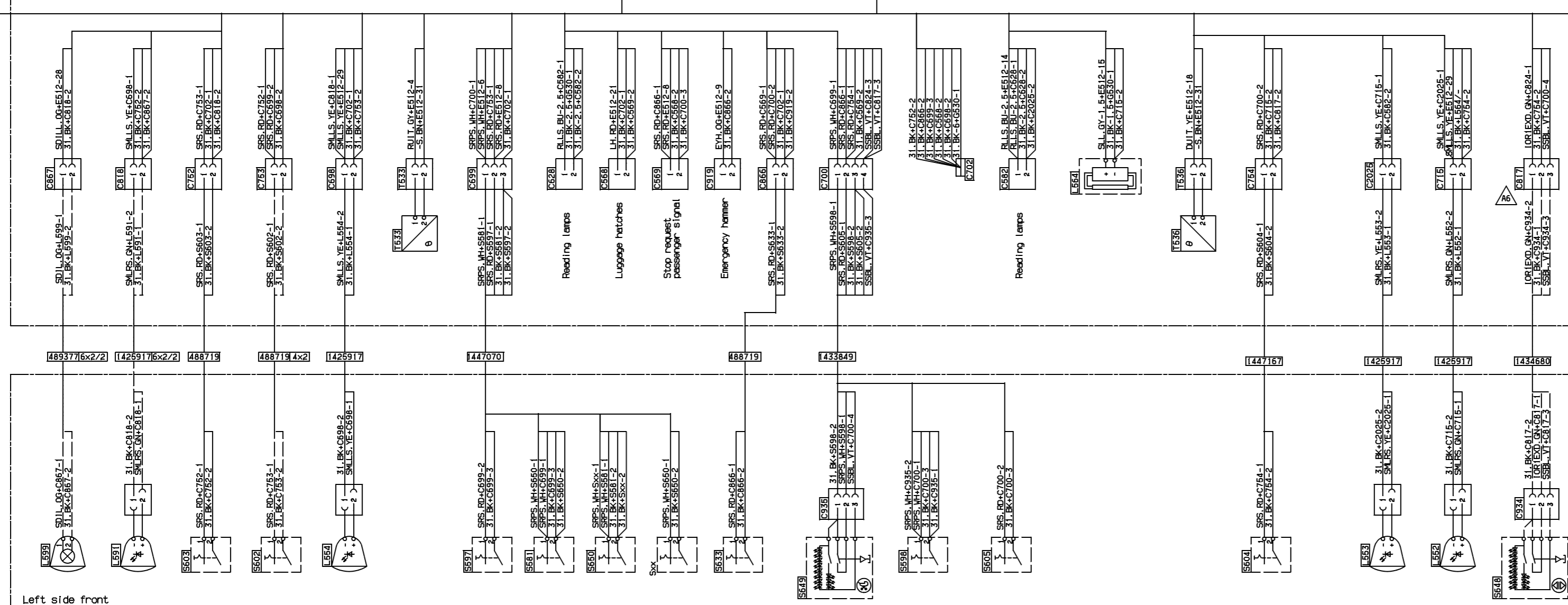


8 7 6 5 4 3 2 1

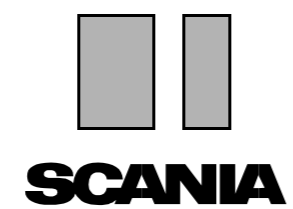


Code	Colour	Des.	Pos.	Description
C567	E4			3-pole
C568	D6			2-pole
C569	D6			2-pole
C582	D4			3-pole
C612	E5	Connector		3-pole
C628	D6			2-pole
C699	D7			3-pole
C699	D6			3-pole
C700	D6			4-pole
C702	D4	Joining sleeve		1-pole
C716	D3			2-pole
C752	D7			2-pole
C753	D7			2-pole
C754	D3			3-pole
C811	D2			3-pole
C818	D8			2-pole
C821	B7			2-pole
C822	B7			2-pole
C823	A7	Connector		3-pole
C824	A7			3-pole
C866	D5			2-pole
C867	D8			3-pole
C898	E4			2-pole
C903	A3			2-pole
C919	D6			3-pole
C934	B2			3-pole
C935	B5			2-pole
C2025	D3			2-pole
D522	F3	Resistor, fan		
D523	F8			
E512	F5	Node	D	
E521	F6	Control unit		Fan speed roof left Fan speed defroster
E530	F4			
E530	E6	Ground		
E542	E6	Ground		
E543	F4			
L507	B4	Interior light		1st circuit
L511	A4	Stop sign light		
L514	B4	Stop sign light		
L552	B3	Side mark. lamp left		
L553	B3	Side mark. lamp left		
L554	B7	Sign box light		Left side
L564	D4	Interior light		1st circuit
L577	B4	Interior light		1st circuit
L578	A4	Side mark. lamp Left		
L591	B8	Direction Indic side left		
L599	B8	Direction Indic side left		
L604	A4	Stop sign light		
M511	F8	Motor		Ventilation fan left
M513	F3	Motor		Defroster fan
S6xx	B6			
S681	B6			Prem signal Interior
S697	B6			Stop req. pass. signal
S698	B5			Prem signal Interior
S602	B7			Stop req. pass. signal
S603	B7			Stop req. pass. signal
S604	B3			Interior opening
S605	B4			Prem signal Interior
S633	B5			Interior opening
S648	B2			Prem signal Interior
S649	B5			Interior opening
S650	B6			Prem signal Interior
S656	A6			Interior opening
S657	A5			Interior opening
T533	D7, C7	Temp sensor		Roof heating circuit
T538	D4, C4	Temp sensor		Defroster inlet temp
T550	A5	Temp sensor		Compartment temperature
V534	E8	Solenoid valve		Roof heating circuit left
V536	E8	Solenoid valve		Ventilation flap left
V538	F3	Solenoid valve		Defroster heating circuit
V537	E3	Solenoid valve		Ventilation flap defroster
V559	E4	Solenoid valve		reduced pressure doors



8 7 6 5 4 3 2 1

492831



**16:62-53**

Edition 2

- Nod D
- Node D
- Knotenpunkt D
- Node D
- Nodo D
- Noeud D
- Nodo D
- Solmu D
- Węzeł komunikacyjny D
- Nó D

**BNS 4.1/BNS 5.1**